

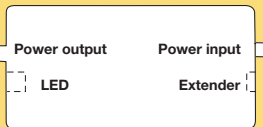






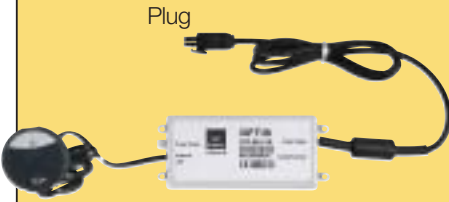

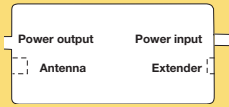
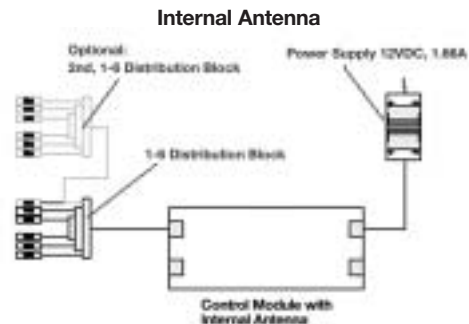
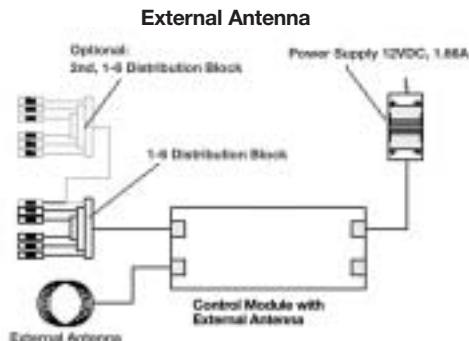




# Switched Access Control – Innovative Use DFT – Dialock Furniture Terminal, Locking System

| Power Supplies   | Electric Switches   | Accessories  | Locks   |
|--|---|--|---|
| <p><b>Plug-in</b></p>  | <p><b>DFT, Internal Antenna</b></p>  <p><b>Control Module</b></p>   | <p><b>Distribution Block 1:2</b></p>  <p><b>Distribution Block 1:6</b></p>  <p><b>1 Meter Extension Cable</b></p>  <p><b>2 Meter Extension Cable</b></p>  |  <p><b>EFL6</b></p>  |
|  | <p><b>DFT, External Antenna</b></p>  <p><b>External Antenna</b></p>  <p><b>Control Module</b></p>  |  |   |

### Wiring diagrams



For technical assistance contact Dialock Department at 1-888-437-7477

Dimensional data not binding. We reserve the right to alter specifications without notice.

# Dialock Furniture Terminal – DFT Internal Antenna

### Areas of application:

- For use with Dialock simple programming only.
- For use with Dialock SpeedKey<sup>TM</sup> and TI-RFid <sup>TM</sup> Transponders only.
- For use with Furniture Locking Systems (FLS).
- Suitable for interior use.

### Function:

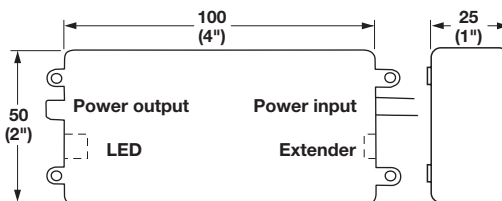
- If an authorized electronic key is presented to the unit, all locks are activated simultaneously. Maximum 11 electric locks.
- Optional LED interface: Customer supplied



**Control Module**, with internal antenna  
Finish: plastic, light grey

|          |                  |            |
|----------|------------------|------------|
| Cat. No. | cycle operation  | 237.56.120 |
|          | toggle operation | 237.56.160 |

Packing: 1 pc. (With mounting tabs and 1 meter (39") secondary extension cord)



### Technical Data:

- Voltage Supply: 12-17VDC  
11-14VAC
- Continuous Current: 200mA
- Output Extender: 50mA each
- Switching Voltage Rating: 14V
- Peak Current: 550mA
- Temperature Range: 0 to +60° C  
(Inside only) (+32 to +140° F)



### Features:

- Up to 200 keys can be authorized at a single terminal.
- One hand use.
- Indication of lock state through LEDs (red/green) and audible beep
- Configurable locking state.
- Cycle Operation: Can be configured for 1 -25 seconds with optional configuration key stick. Pre-set default time: 3 seconds.
- Toggle Operation: Present key to open, re-present key to lock.

### Sold Separately:

SpeedKey<sup>TM</sup> .....page 173

Key Sticks.....page 172

### Simple Programming Tools

TI-RFid .....page 173

Electric Locks .....pages 165-166

### Configuration Key Stick,

open time

|          |               |
|----------|---------------|
| Cat. No. | 910.54.86X.74 |
|----------|---------------|

Packing: 1 pc.

Dimensional data not binding.  
We reserve the right to alter specifications without notice.



## Diallock Furniture Terminal – DFT External Antenna

### Areas of application:

- For use with Diallock simple programming only.
- For use with Diallock SpeedKey™ and TI-RFid™ Transponders only.
- For use with Furniture Locking Systems (FLS).
- Suitable for interior use.

### Function:

- If an authorized electronic key is presented to the unit, all locks are activated simultaneously. Maximum 11 electric locks.
- Optional LED interface: Customer supplied

### Features:

- Up to 200 keys can be authorized at a single terminal.
- One hand use.
- Indication of lock state through LEDs (red/green) and audible beep.
- Configurable locking state.
- Cycle Operation: Can be configured for 1 to 25 seconds with optional configuration key stick. Pre-set default time: 3 seconds.
- Toggle Operation: Present key to open, re-present key to lock.



### Technical Data:

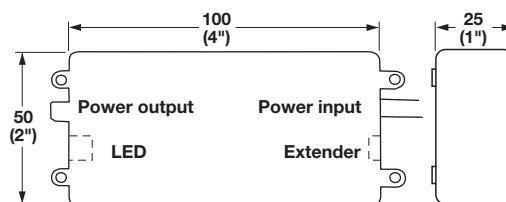
- Voltage Supply: 12-17VDC  
11-14VAC
- Continuous Current: 200mA
- Output Extender: 50mA each
- Switching Voltage Rating: 14V
- Peak Current: 550mA
- Temperature Range: 0 to +60° C  
(Inside only) (+32 to +140° F)
- Antenna Cable length: 1m

**Control Module**, requires antenna (sold separately)

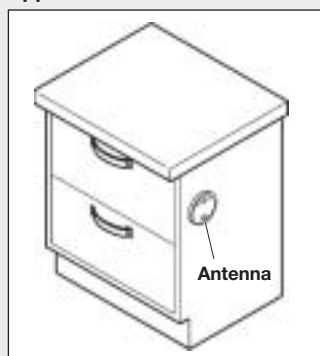
Finish: plastic, light grey

|          |                  |            |
|----------|------------------|------------|
| Cat. No. | cycle operation  | 237.56.110 |
|          | toggle operation | 237.56.150 |

Packing: 1 pc. (With mounting tabs and 1 meter (39") secondary extension cord)



### Application

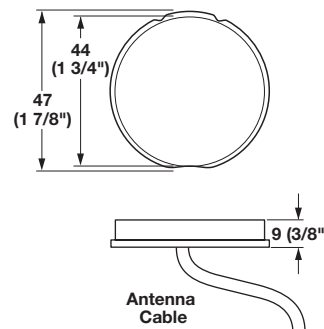


### Antenna

Finish: plastic, dark grey

|          |            |
|----------|------------|
| Cat. No. | 237.56.130 |
|----------|------------|

Packing: 1 pc. (1 meter 39" length)



### Sold Separately:

SpeedKey™ .....page 173

Key Sticks.....page 172

### Simple Programming Tools

TI-RFid .....page 173

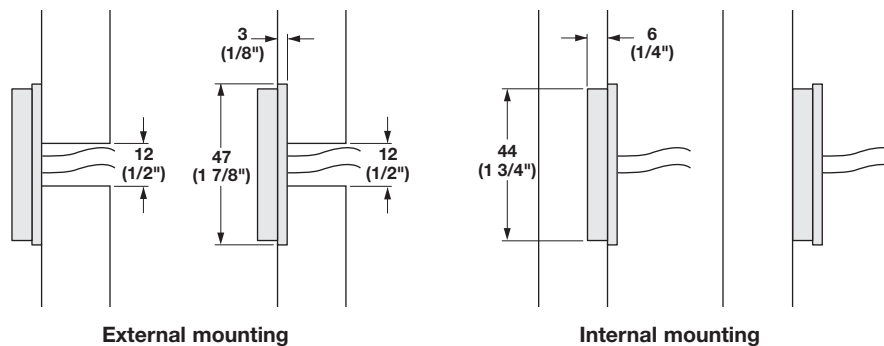
Electric Locks .....pages 165-166

### Configuration Key Stick,

open time

|          |               |
|----------|---------------|
| Cat. No. | 910.54.86X.74 |
|----------|---------------|

Packing: 1 pc.



Dimensional data not binding. We reserve the right to alter specifications without notice.

# Furniture Locking Systems – Electric Furniture Locks

**EFL1** is an electro-mechanical bolt lock, suitable for controlling access to doors and drawers in furniture and office equipment. The device stays unlocked as long as power is supplied to it, and is locked when it is not powered. EFL1 can be controlled by a switch or it can be integrated into a **Dialock** access control system.

- Slam function

## Specifications

Voltage required: 12V DC ± 10% (not polarity sensitive)  
 Current Consumption: 50 mA  
 Duty cycle rating: Continuous duty (no time limit)  
 Heat generated: 0.6 Watt  
 Environmental range: 40° F to 120° F 20%~90% RH  
 Tensile load limit:  
     Nylon bolt: 90 kg. Per DIN 68 852  
     Metal bolt: 130 kg. Per DIN 68 852  
 Mounting:  
     Via 2 screws.  
     Drilling jig available  
 Connections:  
     Via 1 meter cable and AMP plug kit  
 Minimum door width: 240 mm (9.5") on inset doors



Finish: Lock and bolt plate: zinc, nickel-plated  
 Bolt: nylon, grey

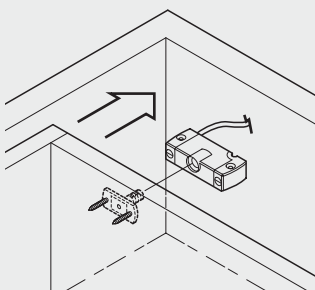
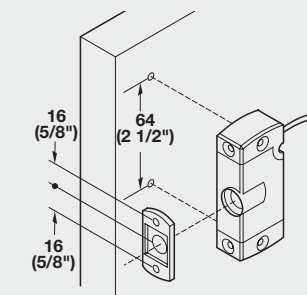
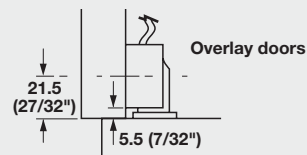
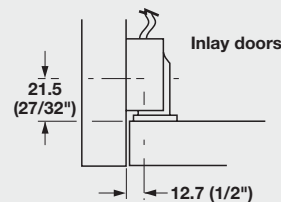
| Cat. No.   | Cable length   |
|------------|----------------|
| 237.56.000 | 1 m (39 3/5")  |
| 237.56.002 | 3 m (118 1/8") |
| 237.56.004 | 5 m (196 7/8") |

Packing: 1 pc.

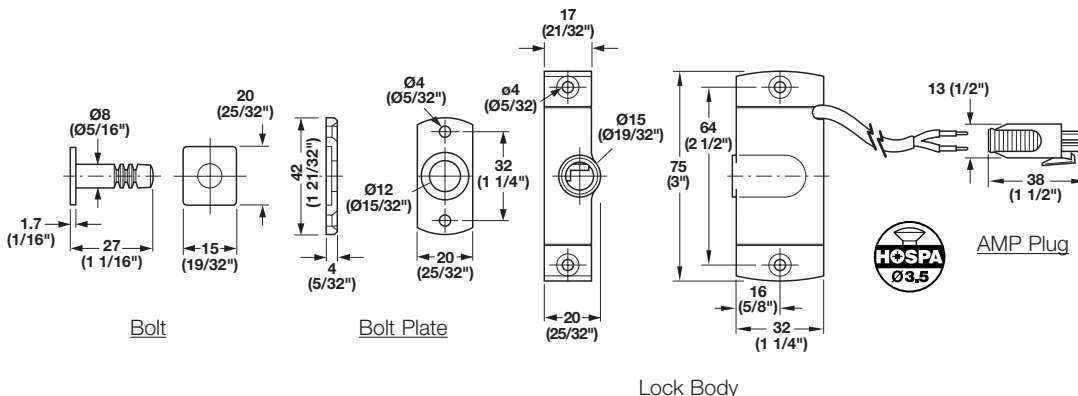
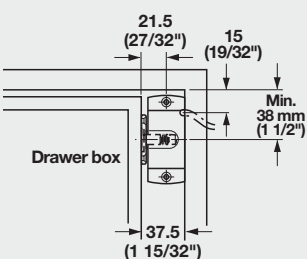
Finish: Lock and bolt plate: zinc, nickel-plated  
 Bolt: zinc, nickel-plated

| Cat. No.   | Cable length   |
|------------|----------------|
| 237.56.020 | 1 m (39 3/5")  |
| 237.56.022 | 3 m (118 1/8") |
| 237.56.024 | 5 m (196 7/8") |

Packing: 1 pc.



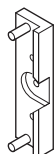
Drawer mounting



## Drilling Jig for EFL1 Lock

is inserted into EFL1 and provides easy alignment of the locking bolt to the lock case.

Finish: aluminum



|          |            |
|----------|------------|
| Cat. No. | 237.56.990 |
|----------|------------|

Packing: 1 pc.

For details contact Dialock Department at 1-888-437-7477.

Dimensional data not binding. We reserve the right to alter specifications without notice.

## Furniture Locking Systems – Electric Furniture Locks



### EFL6 – Electric Furniture Lock

#### Areas of application

- For use with all electric and Dialock control devices
- Suitable for interior use
- For installation on furniture and cabinets
- Suitable for hinged or sliding doors and drawers
- Slam function

#### Supplied with:

- Lock Body
- Lock Bolt
- Mounting Hardware
- Mounting Instructions
- Male Amp connection

#### Specifications

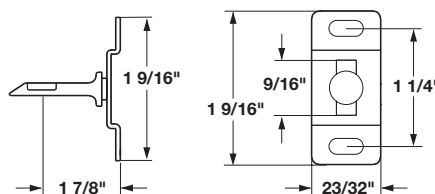
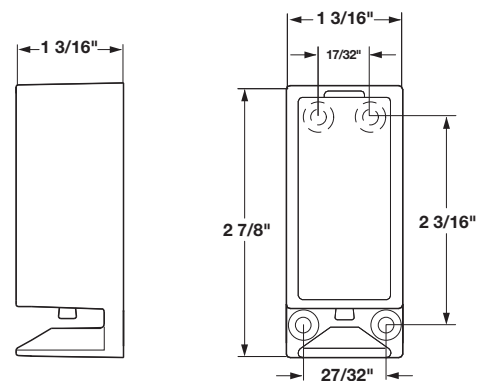
|                                |                        |
|--------------------------------|------------------------|
| Voltage / Current Consumption: | 12VDC / 187mA          |
|                                | 24VDC / 88mA           |
| Duty cycle rating:             | Continuous Duty        |
| Heat generated:                | 2.2 Watt (max.)        |
| Temperature range:             | 40° F - 120° F         |
| Tensile load limit:            | 90kg. (200lb.)         |
| Mounting:                      | Via. 2 screws          |
| Connections:                   | Via. 2 wires, 12" long |
| Minimum door width:            | 240mm (9.5")           |
| Locking function               | Field changeable       |
|                                | • Fail safe            |
|                                | • Fail secure          |



Finish: Lock body: steel, black  
 Cover plate: steel, matt finish  
 Lock bolt: steel, galvanized

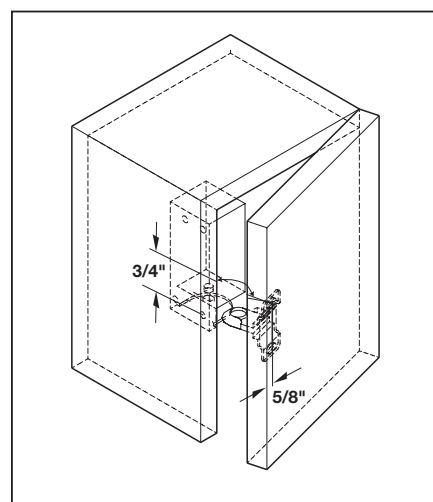
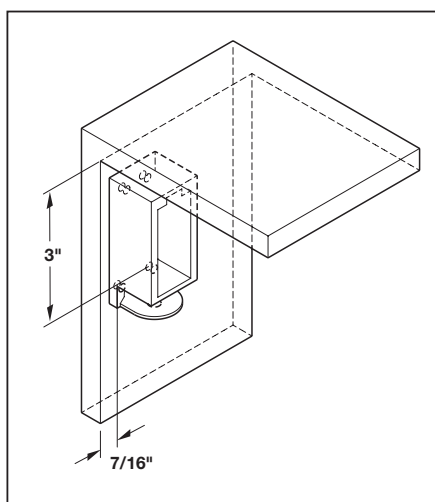
Cat. No. 912.02.034

Packing: 1 pc.



#### Application examples:

- Cabinet doors
- Cabinet drawers
- Jewelry cases
- Teller doors
- Beverage cases
- Sliding doors



For details contact Dialock Department at 1-888-437-7477.

Dimensional data not binding. We reserve the right to alter specifications without notice.

## Furniture Locking Systems – Power Supplies

Hafele offers a number of Power Supplies designed for use in furniture locking systems. All share a high-efficiency design, intended to reduce the amount of energy consumed and the heat generated. Power supplies are protected from damage if the output wiring is shorted.

### Power Supply with Plug 12 VDC 1.66A

With amp socket, and 72" primary cord  
 Capacity: Maximum of 8 EFL1 locks  
 Dimensions: 92 mm x 40 mm x 40 mm  
 (3 5/8" x 1 9/16" x 1 9/16")

Electrical specifications:

- AC input voltage 120V ± 15%, 47 – 63 HZ
- AC input current 0.5A
- DC voltage output 12 VDC ± 5%
- Output current range 0 – 1.66A
- Operating temp. range 0° – 40°C  
32°F – 140°F



Finish: Nylon casing, black

|          |            |
|----------|------------|
| Cat. No. | 917.93.004 |
|----------|------------|

Packing: 1 set

### Power Supply with Plug 12 VDC 2.5A

With amp socket, and 72" primary cord.  
 Capacity: Maximum of 32 EFL1 locks  
 Dimensions: 108 mm x 58 mm x 30 mm  
 (4 1/4" x 2 9/32" x 1 3/16")

Electrical specifications:

- AC input voltage 120V ± 15%, 47 – 63 HZ
- AC input current 0.6A
- DC voltage output 12 VDC ± 5%
- Output current range 0 – 2.5A
- Operating temp. range 0° – 40°C  
32°F – 140°F



Finish: Nylon casing, black

|          |            |
|----------|------------|
| Cat. No. | 917.93.005 |
|----------|------------|

Packing: 1 set

### Power Supply – Hard Wired 12VDC 3.5A 42W

This power supply is suitable for a large manual control system (using a switch), or a large Diallock system. This power supply must be installed in an electrical junction box, preferably installed outside the cabinet to insure free airflow around the box.

Capacity: Maximum of 32 locks in an airtight enclosure.  
 Maximum of 56 EFL1 locks with free airflow around box.

Dimensions: 130 mm x 98 mm x 38 mm  
 (5 1/8" x 3 7/8" x 1 1/2")

Electrical specifications:

- AC input voltage 85 – 264V, 47 – 63 HZ
- AC input current 1.2A @ 115 VAC
- DC voltage output 12 VDC ± 1%
- Output current range 0 – 3.5A
- Operating temp. range -10 – + 55°C  
14°F – 131°F



Finish: Housing, steel-plated

|          |            |
|----------|------------|
| Cat. No. | 917.93.000 |
|----------|------------|

Packing: 1 pc.



**Note:** The in-line power supplies are not provided with mounting tabs. They are best placed on a protected shelf or trough.

- Wiring to power supplies must be done in compliance with all electrical codes.



For details contact Diallock Department at 1-888-437-7477.

Dimensional data not binding. We reserve the right to alter specifications without notice.



## Electric Door Locks

### Areas of application

- For use with all electric and Dialock control devices
- Suitable for interior use
- Suitable for installation in wood and hollow metal jambs.
- For installation on new door construction
- For retrofit on existing doors
- Fail secure mode of operation

### Specifications

|                                |                                |
|--------------------------------|--------------------------------|
| Voltage / Current Consumption: | 12VDC / 480mA<br>24VDC / 240mA |
| Duty cycle rating:             | Continuous Duty                |
| Heat generated:                | 5.8 Watt (max.)                |
| Temperature range:             | -40° F - 120° F                |
| Tensile load limit:            | 682kg. (1500lb.)               |
| Mounting:                      | Via. 2 screws                  |
| Connections:                   | Via. 2 wires                   |
| Minimum door width:            | 240mm (9.5")                   |

### Electric Strike

#### Supplied with:

- Lock body
- Lock bolt
- Mounting hardware
- Mounting instructions
- Adapter plate
- Male Amp connection



Finish: steel, black

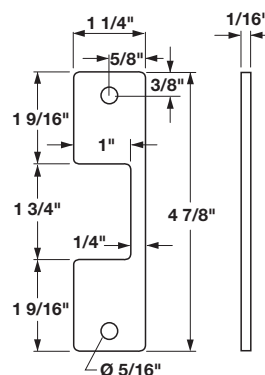
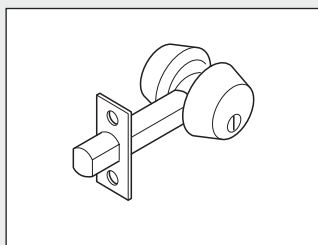
Cat. No. 911.68.230

Packing: 1 pc.

### Face Plate, cylindrical

#### Supplied with:

- Plate
- Mounting screws
- Mounting instructions



Finish: stainless steel, matt

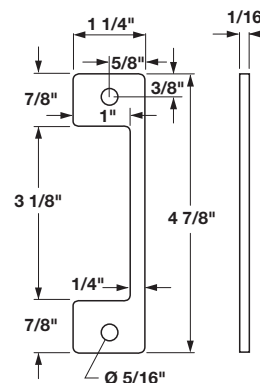
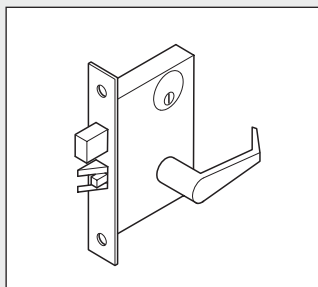
Cat. No. 911.68.231

Packing: 1 pc.

### Face Plate, mortise

#### Supplied with:

- Plate
- Mounting screws
- Mounting instructions



Finish: stainless steel, matt

Cat. No. 911.68.232

Packing: 1 pc.

Dimensions in mm  
Inches are approximate

For details contact Dialock Department at 1-888-437-7477.

Dimensional data not binding. We reserve the right to alter specifications without notice.

# EFLS Electric Furniture Locking System – Switches



## Switch Kit Toggle

This kit provides all the parts required to control and to connect a Power Supply to an EFL Lock. The switch turns on or off the current to one lock, or to a group of locks. If more than one lock is to be wired to the switch, use distribution blocks. See page 170.

**Please note: This switch is designed to be used on secondary power side.**



Finish: black

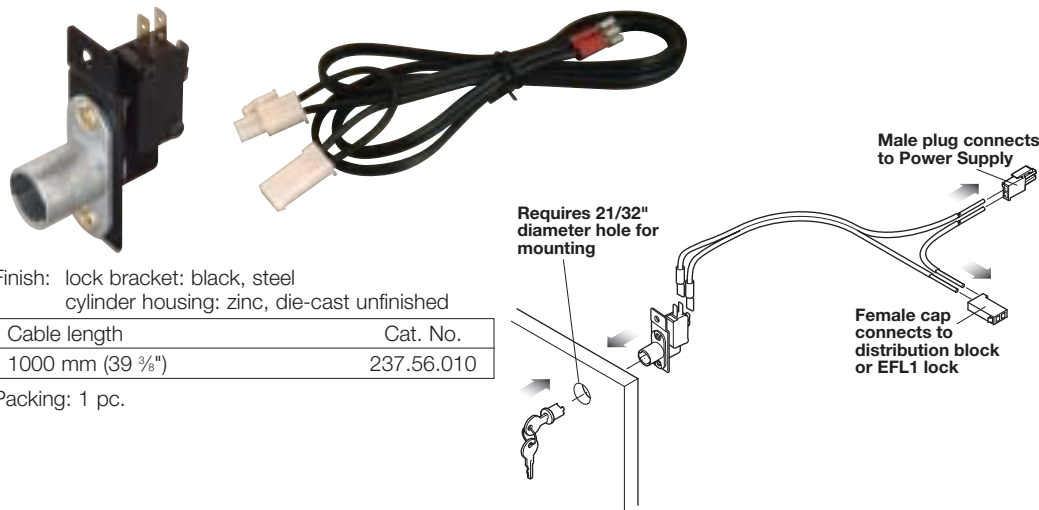
| Length            | Cat. No.   |
|-------------------|------------|
| 1000 mm (39 3/8") | 823.78.318 |
| 2000 mm (78 3/4") | 823.78.327 |

Packing: 1 pc.

## Keyed Electric Switch Kit

### Removable Cylinder Module System

This kit provides all the parts required to control and to connect the Power Supply to the EFL Lock. The key switch turns on or off the power to one lock, or to a group of locks. **Please order snap-in lock cores with keys separately.**



Finish: lock bracket: black, steel  
cylinder housing: zinc, die-cast unfinished

| Cable length      | Cat. No.   |
|-------------------|------------|
| 1000 mm (39 3/8") | 237.56.010 |

Packing: 1 pc.

- If more than one lock is to be wired to a switch, use optional blocks See page 170.
- Note: switches are designed to be used on secondary power side.
- The electric switch kits can be used to control other low voltage devices such as the Hafele lighting system.

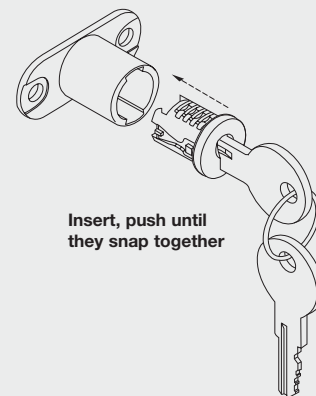
#### Technical data

- Temperature range: -25° C – 85° C
- Rated voltage: 12V
- Rated current: 6A

For consistency in customized wiring: Standard Polarity for various color codes of wire.

| +Voltage | Common or -Voltage |
|----------|--------------------|
| White    | Black              |
| White    | Brown              |
| Blue     | Brown              |
| Red      | Black              |

- See page 171 for snap-in lock core (up to 500 key changes) for keyed switch kit.



**For details contact Dialock Department at 1-888-437-7477.**

Dimensional data not binding. We reserve the right to alter specifications without notice.



## Furniture Locking Systems – Accessories

### Distribution Block 1:2

The distribution block acts as a splitter, allowing 2 output devices to be connected to one input device. It has one male plug wired to 2 female caps, which allows up to 2 EFL 1 Locks to be connected to 1 output. Additional connectors can be made allowing other locks to be added. This process can be repeated as long as the current ratings for the system are not exceeded.



Finish: plastic, blue

|          |            |
|----------|------------|
| Cat. No. | 823.28.390 |
|----------|------------|

Packing: 1 pc.

### Distribution Block 1:6

The distribution block acts as a splitter. It has one male plug wired to 6 female caps, which allows up to 6 locks to be connected to one output.

- For additional locks, a 2nd block can be plugged into one of the caps of the first block (adding 5 locks). This process can be repeated as long as the current ratings system, the Power Supply, and control device (switch) are not exceeded.



Finish: plastic, black

|          |            |
|----------|------------|
| Cat. No. | 823.24.418 |
|----------|------------|

Packing: 1 pc.

- Extension cables and distribution blocks are provided with a female AMP cap on one end, and a male AMP plug on the other.

#### Technical data

- Temperature range: -25° C – 85° C
- Rated voltage: 12v
- Rated current: 6A

For consistency in customized wiring: Standard Polarity for various color codes of wire.

| +Voltage | Common or -Voltage |
|----------|--------------------|
| White    | Black              |
| White    | Brown              |
| Blue     | Brown              |
| Red      | Black              |

### Extension Cables

The extension cables are used between components on the secondary side (low-voltage side) of the Power Supply.



Finish: black

| Length          | Cat. No.   |
|-----------------|------------|
| 1 m (39 3/8")   | 823.28.318 |
| 2 m (78 3/4")   | 823.28.327 |
| 5 m (196 3/4")  | 823.28.350 |
| 10 m (393 3/4") | 823.28.360 |

Packing: 1 pc.

### Power Cord

This power cord is required to supply DC voltage to the controller when using power supplies 917.93.004, and 917.93.005.



Finish: plastic, black

| Length           | Cat. No.   |
|------------------|------------|
| 500 mm (19 5/8") | 823.27.300 |

Packing: 1 pc.

### Suggested Wiring Assembly

- Female AMP caps are typically located on the power source side.
- Male AMP plugs are typically located on the load side.
- 5 and 10 meter extension cables are only for use with furniture locking systems.

For details contact Dialock Department at 1-888-437-7477.

Dimensional data not binding. We reserve the right to alter specifications without notice.

### Data Cables

The 4-conductor data cable is used for the transfer of information from a controller in a dialock multi-output terminal to the corresponding output extender, or between extenders.



Finish: black

| Length            | Cat. No.   |
|-------------------|------------|
| 500 mm (19 5/8")  | 910.51.090 |
| 1000 mm (39 3/8") | 910.51.091 |
| 2000 mm (78 3/4") | 910.51.092 |
| 3000 mm (118")    | 910.51.093 |

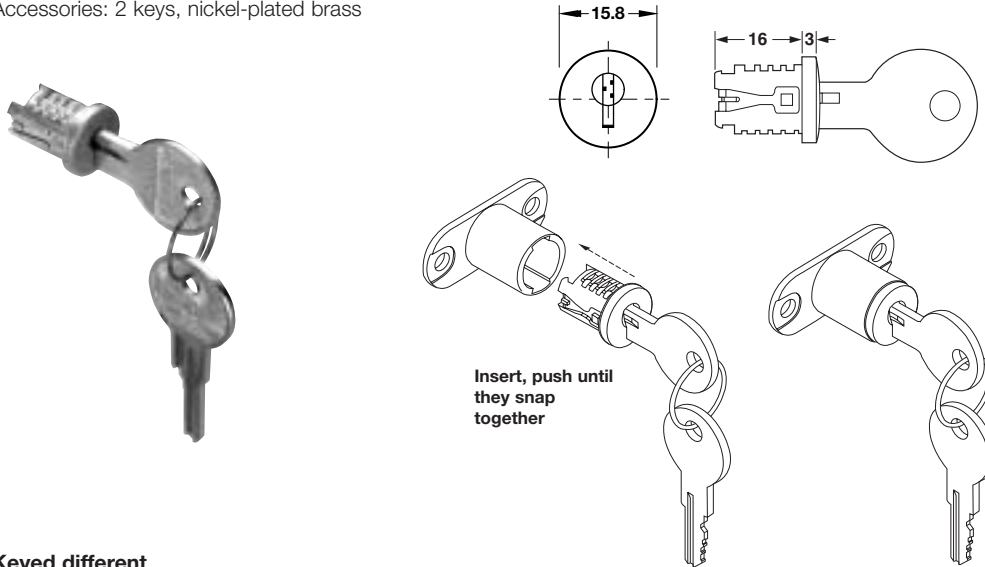
Packing: 1 pc.

Dimensions in mm  
Inches are approximate

# Cylinder Module System - Lock Cores

## Snap-In Lock Core, Suitable For Any Cylinder Body

Finish: zinc die cast, unfinished; lock face: see table below; plate levers: brass  
 5 plate levers = 500 possible key changes  
 Accessories: 2 keys, nickel-plated brass



### Keyed different

|          |                 |             |                |               |               |             |
|----------|-----------------|-------------|----------------|---------------|---------------|-------------|
| Finish:  | nickel polished | nickel matt | brass polished | bronzed epoxy | brass antique | black epoxy |
| Cat. No. | 210.04.606      | 210.04.710  | 210.04.803     | 210.04.106    | 210.14.102    | 210.04.302  |

Packing: 500 pcs.

### Keyed alike

|            |                 | Cat No.     |                |               |               |             |  |
|------------|-----------------|-------------|----------------|---------------|---------------|-------------|--|
| Finish:    | nickel polished | nickel matt | brass polished | bronzed epoxy | brass antique | black epoxy |  |
| Keying #'s |                 |             |                |               |               |             |  |
| 100 TA     | 210.04.615      | 210.04.720  | 210.04.812     | 210.04.115    | 210.14.111    | 210.04.311  |  |
| 101 TA     | 210.04.624      | 210.04.721  | 210.04.821     | 210.04.124    | 210.14.120    | 210.04.320  |  |
| 102 TA     | 210.04.633      | 210.04.722  | 210.04.830     | 210.04.133    | 210.14.139    | 210.04.339  |  |
| 103 TA     | 210.04.642      | 210.04.723  | 210.04.849     | 210.04.142    | 210.14.148    | 210.04.348  |  |
| 104 TA     | 210.04.651      | 210.04.724  | 210.04.858     | 210.04.151    | 210.14.157    | 210.04.357  |  |
| 105 TA     | 210.04.660      | 210.04.725  | 210.04.867     | 210.04.160    | 210.14.166    | 210.04.366  |  |
| 106 TA     | 210.04.679      | 210.04.726  | 210.04.876     | 210.04.179    | 210.14.175    | 210.04.375  |  |
| 107 TA     | 210.04.688      | 210.04.727  | 210.04.885     | 210.04.188    | 210.14.184    | 210.04.384  |  |
| 108 TA     | 210.04.697      | 210.04.728  | 210.04.894     | 210.04.197    | 210.14.193    | 210.04.393  |  |
| 109 TA     | 210.04.704      | 210.04.729  | 210.04.901     | 210.04.204    | 210.14.200    | 210.04.400  |  |

Packing 10 pcs.

### Removal Key

To remove lock cores



Finish: brass

|          |            |
|----------|------------|
| Cat. No. | 210.02.004 |
|----------|------------|

Packing: 1 pc.

### Master key, fits all TA lock cores

(see table above)

Finish: brass

|          |            |
|----------|------------|
| Cat. No. | 210.02.059 |
|----------|------------|

Packing: 1 pc.

### Key blanks

Can be cut to replace broken or lost keys.

Finish: brass

|          |            |
|----------|------------|
| Cat. No. | 210.02.005 |
|----------|------------|

Packing: 1 pc.

## Cylinder Module System

- Separates the lock core from cylinder housing. Any combination of locking systems can be obtained.
- Manufacturer can install fully functional locking systems.
- Simplifies the planning of locking systems. Changes can be made, without difficulty. Lock cores can be replaced with the aid of the removal key.
- Available in six finishes.

## Cylinder Rosette

For any **Cylinder Body**

**Note:** Requires 19mm diameter hole for installation with lock cylinders.



Finish: brass

|                 |            |
|-----------------|------------|
| nickel polished | 210.04.062 |
| nickel matt     | 210.04.070 |
| brass polished  | 210.04.054 |
| bronzed         | 210.04.017 |
| brass antique   | 210.04.053 |
| black           | 210.04.035 |

Packing: 10 pcs.

## Protective cap

Keeps interior of cylinder housing free of paint and dirt after lock is installed.

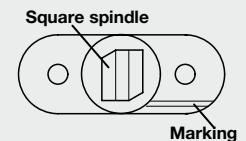


Finish: PVC

|          |            |
|----------|------------|
| Cat. No. | 210.02.095 |
|----------|------------|

Packing: 100 pcs.

The cylinder housings and lock cores are marked (see diagram, below). Thus, a series of furniture doors can all be locked with the same direction of turn, if the markings are positioned identically.

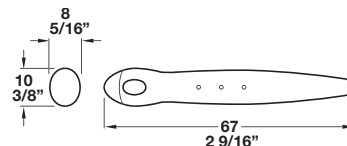


Dimensional data not binding. We reserve the right to alter specifications without notice.



## Dialock Keys – TI-RFid™

### Key Stick – TI-RFid™



Length: 67 mm (2 9/16")

Finish: plastic

| Color  | Cat. No.   |
|--------|------------|
| Black  | 917.04.000 |
| Yellow | 917.04.003 |
| Blue   | 917.04.004 |
| Grey   | 917.04.005 |
| Orange | 917.04.006 |

Packing: 50 pcs.

### Features

- For use with all Dialock TI-RFid™ programming options
- Read/Write transponder

- Utilizes TI-RFid™ technology

### Features

- Contactless data transmission
- No batteries required
- Insensitive to:
  - Magnetism
  - Mechanical vibrations
  - Humidity/moisture
  - Dust
- Reusable
- Forgery proof – 4.3 billion unique codes

### Technical data

- Temperature Range: -13°F to +185°F
- Data Storage - > 10 years

### Key Clip – TI-RFid™



Size: 40 mm (1 1/2") W x 70 mm (2 3/4") L  
x 10 mm (3/8") D

Finish: plastic

| Color      | Cat. No.   |
|------------|------------|
| Dark grey  | 910.54.810 |
| Light grey | 910.54.817 |

Packing: 20 pcs.

### Features

- For use with all Dialock TI-RFid™ programming options
- Read/Write transponder

### Key Wristband – TI-RFid™



Finish: Key: plastic, black

Wristband: nylon, colored with velcro closure

Size: 295 mm (11 1/2") x 19 mm (3/4")

| Color  | Cat. No.   |
|--------|------------|
| Red    | 910.54.720 |
| Yellow | 910.54.721 |
| Green  | 910.54.722 |
| Blue   | 910.54.723 |
| Black  | 910.54.724 |

Packing: 10 pcs.

For details contact Dialock  
Department at 1-888-437-7477.

Dimensional data not binding.  
We reserve the right to alter  
specifications without notice.

## Dialock Keys

### SpeedKey™ – TI-RFid™



Length: 38 mm (1 1/2")  
 Key ring: 20 mm (3/4")  
 Diameter: 11 mm (7/16")  
 Finish: plastic, black (with key ring attached)

|          |            |
|----------|------------|
| Cat. No. | 917.04.043 |
|----------|------------|

Packing: 1 pc.

#### Features

- For use only with Dialock TI-RFid™ Simple Programming solutions.
- Contains a secure read/only digital code.



- Utilizes TI-RFid™ technology

#### Features

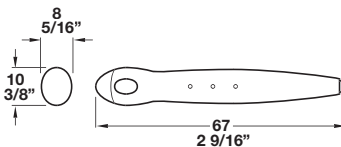
- Contactless data transmission
- No batteries required
- Insensitive to:
  - Magnetism
  - Mechanical vibrations
  - Humidity/moisture
  - Dust
- Reusable
- Forgery proof - 4.3 billion unique codes

#### Technical data

- Temperature Range: -13°F – 140°F
- Data Storage - > 10 years
- Detailed simple programming instructions available upon request

## Simple Programming Tools TI-RFid™

### Programming Key Stick



Length: 67 mm (2 9/16")  
 Finish: plastic

| Color            | Cat. No.   |
|------------------|------------|
| Green - Addition | 917.04.012 |
| Red - Deletion   | 917.04.021 |

Packing: 1 pc.

#### Simple Programming Overview

- A programming addition (Green) key stick is used to add the unique digital code of Dialock keys to the authorized list in a Dialock terminal.
- A programming deletion (Red) key stick is used to delete the unique digital code of a Dialock key from the authorized list in a dialock terminal.
- All authorized keys can be deleted.
- Programming tools must be purchased separately. The programming tools are introduced when a terminal is first powered. This allows the user to decide how many programming sets are practical for an application.

**For details contact Dialock Department at 1-888-437-7477.**

Dimensional data not binding. We reserve the right to alter specifications without notice.

## Diallock LockerLock – TI-RFid™



- Utilizes TI-RFid™ technology
- For use with Diallock TI-RFid™ keys.

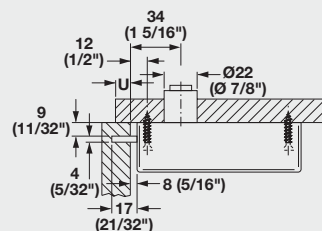
### Programming options:

- Simple Programming features – default setting, see page 173.

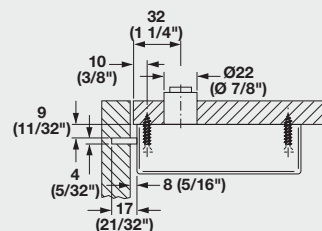
### Complete Programming\*

Windows based modules for Personnel, Hotel and Clinic applications.

- Diallock programming software and hardware not included in this catalog. \*Contact Diallock dept. for details.
- Wellness Function – user selects any one open cabinet or locker



### Overlay Installation



### Inset Installation

For door thickness:  
13 – 19 mm (1/2" – 3/4")  
Minimum cabinet width:  
140 mm (5 1/2")

For lockerlock accessories,  
see page 175.

For details contact Diallock  
Department at 1-888-437-7477.

Dimensional data not binding.  
We reserve the right to alter  
specifications without notice.

For use on locker or casework doors

### LockerLock Set with 2 Screw Caps

- Transmitter and receiver for exchange with Diallock key
- Red/Green LED for visual indication of programming progress and key authorization (on interior box)
- Catch has 2 states:  
Open – with push button extended  
Locked – with push button retracted
- To lock and unlock - press the push button with an authorized key
- Optional – Wellness Function  
– Free choice of open lockers  
– Any key can lock then open any locker  
– Emergency Master Key  
– Requires Info Terminal
- Mounts to inside of door with (4) 4mm countersunk screws.

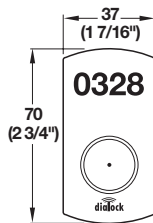
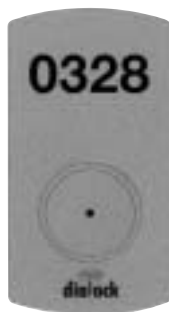


Finish: plastic, grey

Cat. No. 231.80.000

Packing: 1 pc.

### Locker/Cabinet Label



Finish: silver

Trim and label locks push button

|                 | Cat. No.   |
|-----------------|------------|
| without numbers | 231.81.100 |
| with numbers*   | 231.81.00X |

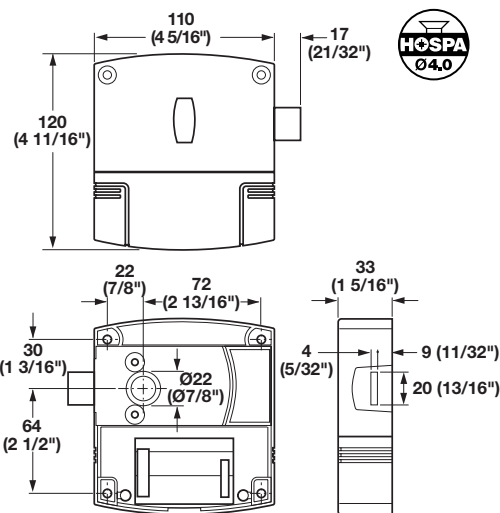
Packing: 1 pc.

\*Special order – specify 4 digit number range

Dimensions in mm  
Inches are approximate

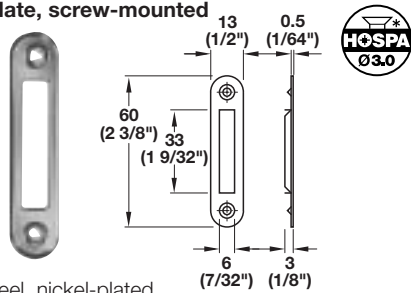
### Technical Data

- Can be mounted on Left Hand or Right Hand door
- Memorizes up to 30 user keys
- Memorizes last 150 key uses (Complete Programming feature only)
- Requires (4) 1.5V/DC AA Premium Batteries  
– Replacement after 10,000 cycles  
– Under low power, locking is not possible  
– Batteries accessible only with special tool
- Includes locker label without number



## Dialock LockerLock - Accessories

### Strike plate, screw-mounted

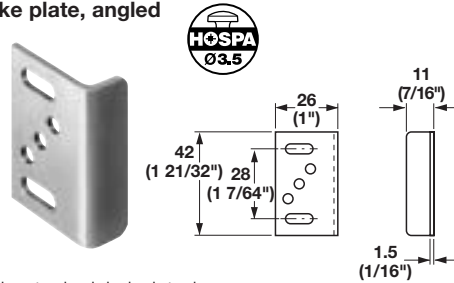


Finish: steel, nickel-plated

Cat. No. 239.05.704

Packing: 100 pcs.

### Strike plate, angled



Finish: steel, nickel-plated

Cat. No. 239.47.604

Packing: 100 pcs.

### Battery Cover Removal Tool

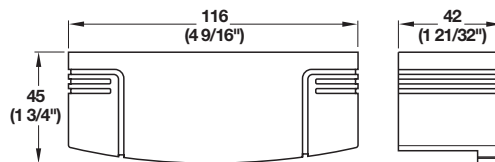
- Battery cover is removed only with this tool.
- Prevents theft and tampering.



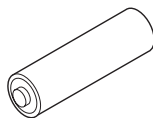
Finish: plastic, dark grey

Cat. No. 231.80.100

Packing: 1 pc.



### Batteries, Alkaline AA, 1.5 V

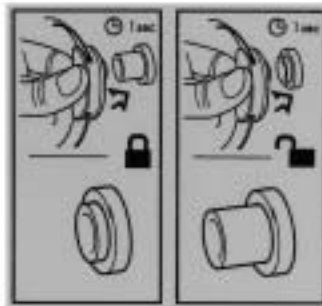


Cat. No. 910.54.980

Packing: 4 pcs.

### Labels

#### Operating Instructions Label



Finish: Label, silver or transparent  
 Size: 65 (2 5/8") W x 68 (2 11/16") H  
 Locate near lock push button

| Color       | Cat. No.   |
|-------------|------------|
| silver      | 231.81.200 |
| transparent | 231.81.300 |

Packing: 10 labels



For details contact Dialock Department at 1-888-437-7477.

Dimensional data not binding. We reserve the right to alter specifications without notice.