

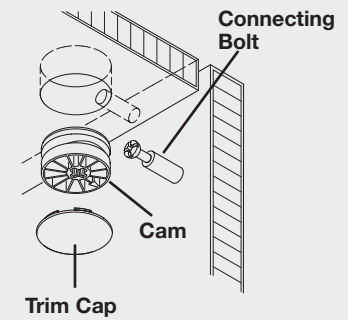
# Maxifix Universal Connector



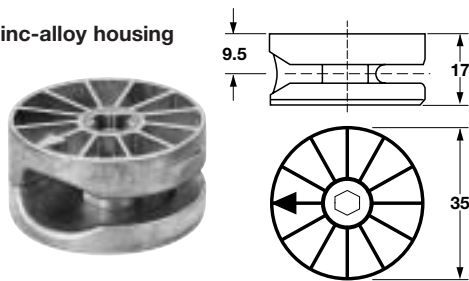
**Cam and Bolt Connector** for extremely strong connections of wood compounds.  
Minimum material thickness is 24 mm (1")

- For many applications
- User friendly
- Long travel distance (= a lot of pull)
- Quick tightening action, only 3/4 turn needed
- Can be used with either Phillips #3 or 6 mm hex key
- Power tools can be used for fast tightening

## Assembly

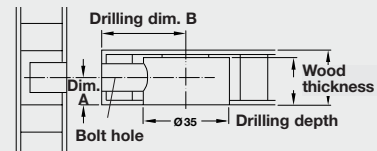


## Zinc-alloy housing



- For partitions
- Conference table tops
- Heavy-duty shelf units
- Bed frames

For wood thicknesses from:	Dimension A mounting center	Drilling Depth	Cat. No.		Packing
			Hex 6 mm	Phillips 3 mm	
<b>24 mm</b>	1/2 wood thickness	1/2 wood thickness + 7.5 mm	262.86.703	262.86.713	100 pcs.



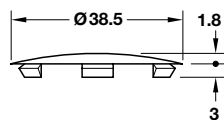
**Bolt hole** =  $\varnothing$  10 mm

**Drilling depth** = 1/2 wood thickness + 7.5 mm

**Dimension A** = 1/2 wood thickness

**Drilling dimension B** = optional between **B 35** (35 mm) or **B 55** (55 mm), drilling distance from housing center to front edge

## Trim cap



Finish: plastic

Cat. No.	Finish	Cat. No.
	white	262.86.790
	brown	262.86.190
	black	262.86.390

Packing: 100 pcs.

## Hex Key, 6 mm



Finish: steel, zinc-plated

Cat. No. 008.28.268

Packing: 500 pcs.

Dimensional data not binding.  
We reserve the right to alter specifications without notice.

## Maxifix Universal Connector

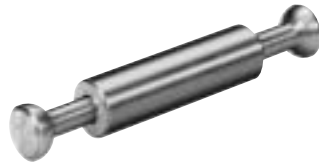
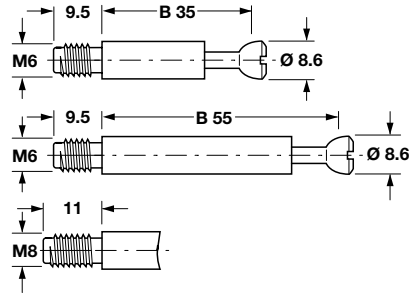


### Connecting bolt

Finish: steel, galvanized

B= Drilling dim.	<b>35 mm</b>	<b>55 mm</b>
Thread size M6	262.86.901	262.86.902
Thread size M8	262.86.911	262.86.912

Packing: 100 pcs.

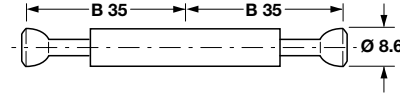


### Double bolt

Finish: steel, galvanized

B= Drilling dim.	<b>35 mm</b>
Cat. No.	262.86.921

Packing: 100 pcs.



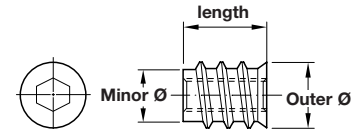
### Steel sockets

with hex head

Finish: steel, yellow galvanized

Thread	M6	M6
Length Ø	15	17
Outer Ø	12	12
Inner Ø	7.5	7.5
Hex Key	6	6
Cat. No.	030.10.564	030.10.565

Packing: 100 pcs.

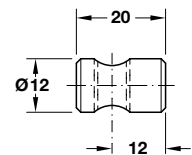


### Cross dowel

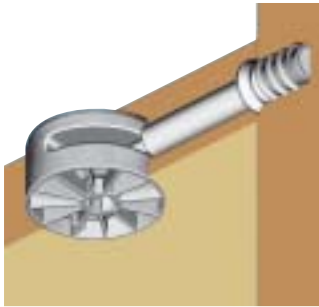
Finish: steel, galvanized with screw slot

Cat. No.	M6	264.83.921
	M8	264.83.920

Packing: 500 pcs.



# Maxifix E Universal Connector



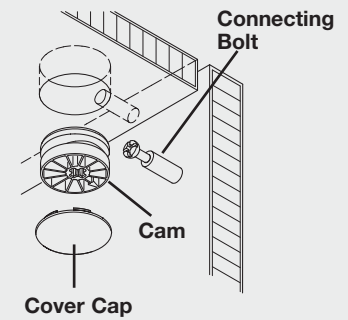
**Cam and Bolt Connector** for extremely strong connections of wood compounds.  
Minimum material thickness is 19 mm (3/4").

- For many applications
- User friendly
- Long travel distance (= a lot of pull)
- Quick tightening action, only 3/4 turn needed
- Can be used with either Phillips #3 or 6 mm hex key
- Power tools can be used for fast tightening

## Features and Benefits:

- Cam is cast as a single piece, assembly is not required.
- Slim dimensions, allowing for panel thickness beginning at 19 mm (3/4").
- Extended bolt assortment for a broad range of applications.
- Newly developed cover caps can be inserted directly into the drive of the cam.
- Locking device on the outside of the cam is an additional feature that prevents loosening.

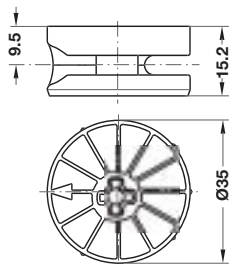
## Assembly



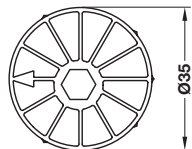
## Cam



Phillips #3



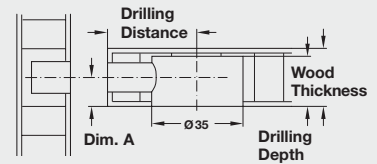
Hex 6 mm



Drilling depth: 15.5 mm  
Finish: zinc, nickel-plated

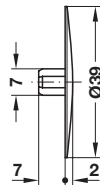
Cat. No.	Phillips 3 mm	262.87.713
	Hex 6 mm	262.87.703

Packing: 250 pcs.



- Dim. A: Distance is half of wood thickness.

## Cover Cap



Finish: plastic

Color	Cat. No.
white	262.87.790
brown	262.87.190
beige	262.87.490
black	262.87.390

Packing: 100 pcs.



white



brown



beige



black

## Hex Key, 6 mm



Finish: steel, zinc-plated

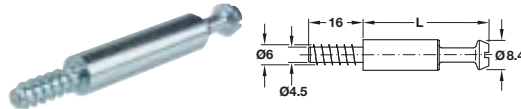
Cat. No.	008.28.268
----------	------------

Packing: 500 pcs.

## MAXIFIX E Universal Connector

### Connecting Bolts

#### For Drilling Diameter $\varnothing$ 5mm

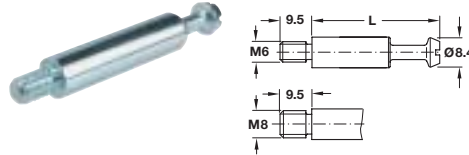


Finish: steel, zinc-plated

Drilling Distance	L	Cat. No.
35 mm	28.5 mm	262.87.931
55 mm	48.5 mm	262.87.932

Packing: 100 pcs.

#### With Thread M6 or M8



Finish: steel, zinc-plated

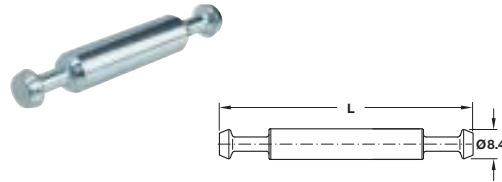
Thread	Drilling Distance	L	Cat. No.
M6	35 mm	28.5 mm	262.87.901
	55 mm	48.5 mm	262.87.902
M8	35 mm	28.5 mm	262.87.911
	55 mm	48.5 mm	262.87.912

Packing: 100 pcs.

#### Applications:

- Partition walls
- Booths for trade shows
- Store fixtures

### Double Bolt



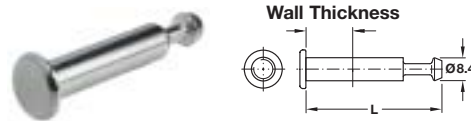
Finish: steel, zinc-plated

Drilling Distance	L	Cat. No.
2 x 35	56 mm	262.87.921

Packing: 100 pcs.

### End Bolt

For thickness 19 mm



Finish: steel

Finish	Drilling Distance	L	Cat. No.
bronze	35 mm	46.5 mm	262.87.181
zinc-plated	35 mm	46.5 mm	262.87.781

Packing: 100 pcs.



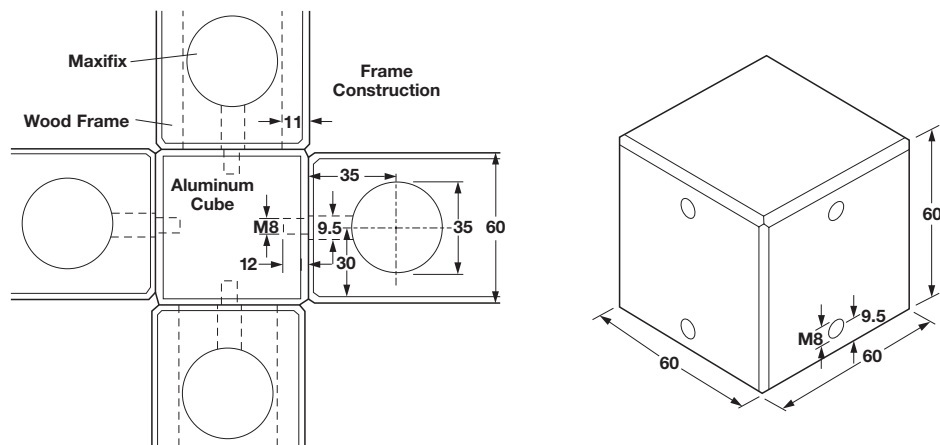
bronze



zinc-plated

# Maxifix Universal Connector - Cubes

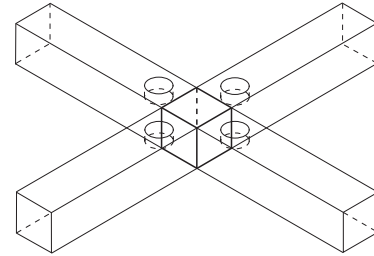
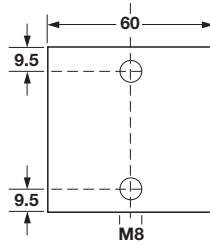
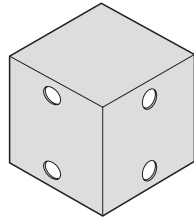
The frames (60 x 60 mm) made of solid wood (customer supplied) are held together with a specially constructed aluminum cube.



Dimensional data not binding. We reserve the right to alter specifications without notice.

## Maxifix Universal Connector - Cubes

### Standard Cube

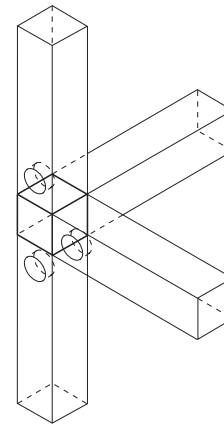
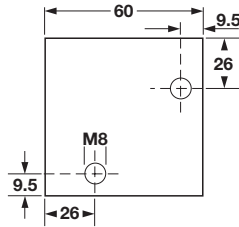
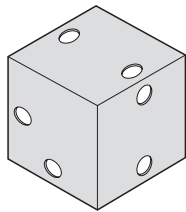


Finish: aluminum

Cat. No. 262.85.000

Packing: 4 pcs.

### Corner Cube

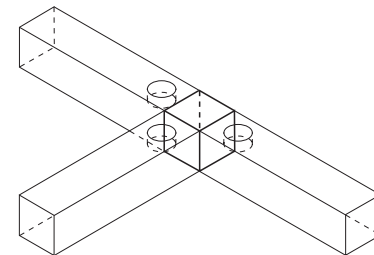
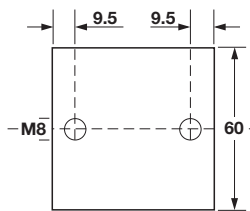
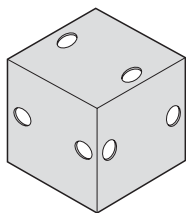


Finish: aluminum

Cat. No. 262.85.010

Packing: 4 pcs.

### T-Cube



Finish: aluminum

Cat. No. 262.85.020

Packing: 4 pcs.

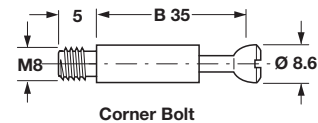


### Connecting bolt

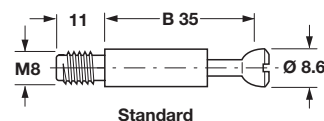
Finish: steel, galvanized

B= Drilling dim.	<b>35 mm</b>	
Thread M8-5 mm	262.86.913	Corner
Thread M8-11 mm	262.86.911	Standard

Packing: 100 pcs.



Corner Bolt



Standard

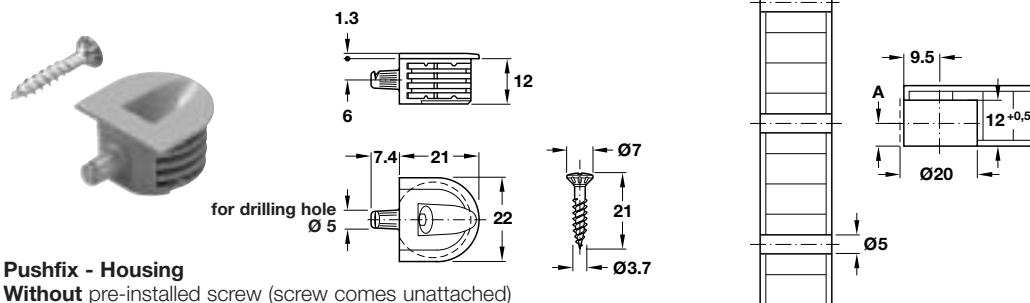
Dimensional data not binding.  
We reserve the right to alter specifications without notice.

# Pushfix P.A.S.<sup>®</sup> - Connector



## The perfect connector for flat packed components.

- Plastic housing **with** and **without** pre-installed screw for Phillips or Pozi #2.
- Allows manual insertion of the plastic housing into the 20mm drilling.
- The housing can be aligned to the edge of the board with the protruded dowel.
- Push furniture parts together and parts are positioned.
- The screw is easily driven at an angle of 30°. Upon tightening, the screw goes through the square dowel and provides a firm connection with the board.
- No damage to the 5mm groove is visible when fitting is being tightened or disassembled.



### Pushfix - Housing

**Without** pre-installed screw (screw comes unattached)

Housing: plastic

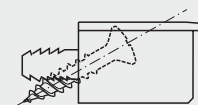
Screw: special screw steel, zinc-plated for Phillips or Pozi 2

For wood thickness	Distance A mounting center	Drilling depth	Cat. No.			
			white	beige	brown	black
<b>15 mm (9/16")</b>	6 mm (1/4")	12 +0.5mm (1/2")	263.90.712	263.90.412	263.90.112	263.90.312

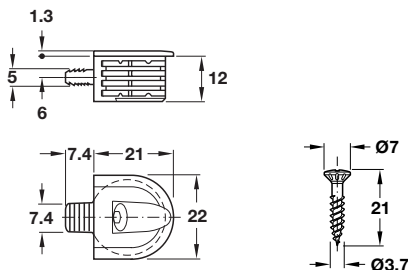
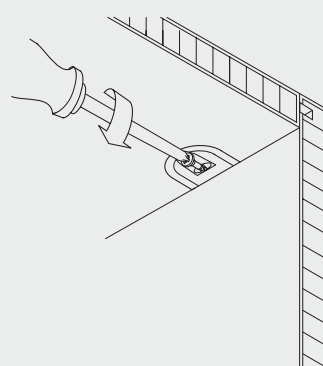
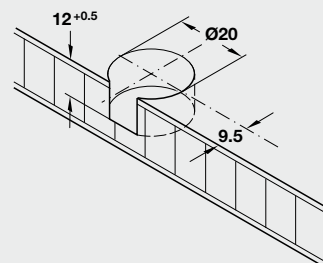
Packing: 2000 pcs.



- Can be inserted by hand



- Screw goes through the square dowel and provides a firm connection.



### Pushfix - Housing / Square Dowel

**Without** pre-installed screw (screw comes unattached)

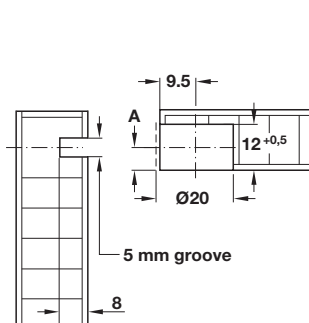
Housing: plastic

Screw: steel, zinc-plated for Phillips or Pozi #2

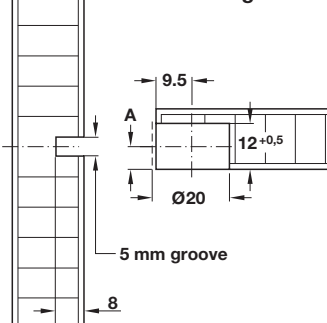
For wood thickness	Distance A mounting center	Drilling depth	Cat. No.			
			white	beige	brown	black
<b>15 mm (9/16")</b>	6 mm (1/4")	12 +0.5mm (1/2")	263.90.742	263.90.442	263.90.142	263.90.342

Packing: 2000 pcs.

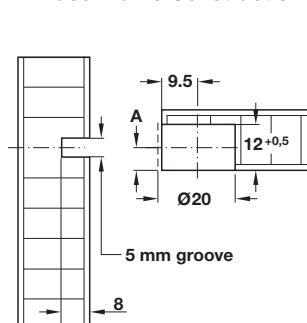
### Cabinets / Closets



### Shelving



### Face Frame Construction



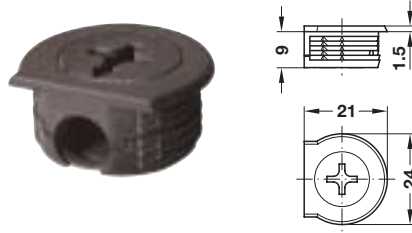
Comfortable tightening by positioning the screw driver at 30°.

Dimensional data not binding. We reserve the right to alter specifications without notice.

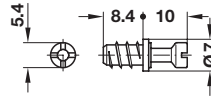
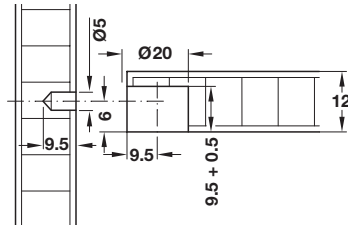
## SLIMFIX - P.A.S.® Panel Connector

### Features and Benefits:

- Slim design with strong connection.
- For use with 1/2" (12 mm) material.
- All plastic construction in cam-nylon/glass fiber reinforced.
- Metal bolt
- Drilling pattern is the same as the Rafix connector.



### Drilling Dimensions



**SLIMFIX** for thin panels starting at 12 mm (1/2")

Drilling ø: 20 mm

Drilling depth: 9.5 mm

Panel thickness: 12 mm (1/2")

Assembly: press-in

Finish: plastic

Color	Cat. No.
white	263.04.701
beige	263.04.401
brown	263.04.101
silver	263.04.201
black	263.04.301

Packing: 2000 pcs.

white



beige



brown



silver



black



**SLIMFIX Bolt** for hole ø 5 mm

Finish: steel, zinc-plated

Cat. No.	263.05.920
----------	------------

Packing: 2000 pcs.

# Zipbolt Connector



### Features and benefits:

- Exceptional speed and performance.
- Utilizes the same 35mm drilling bit as hinges.
- Installs with any cordless screwdriver, eliminating wrenches.
- Special Zipbolt driver fits into any screwdriver chuck.

### Zipbolt Worktop Connector

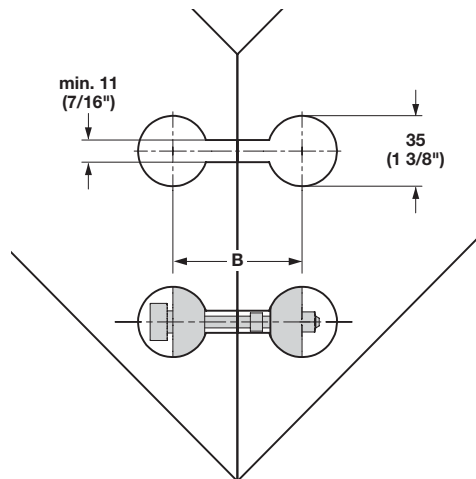
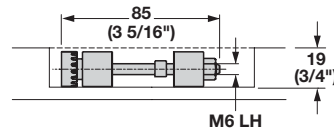
To use the Zipbolt connector, secure the driver into a cordless screwdriver and use it to tighten the Zipbolt connector.



Finish: steel with plastic clamps and zinc gear drive

Length	Drilling Distance B	Cat. No.
85mm (3 5/16")	65mm (2 9/16")	262.92.900

Packing: 40 pcs.



- Initial tightening should be done with a clutch setting of 5 on your cordless screwdriver to avoid over-tightening and stripping of the gear.
- After countertop has been properly aligned, additional tightening with a clutch setting of 10 is advised.
- **Note:** leaning the zipbolt driver into the zinc gear will assure positive meshing of gear teeth.

### Zipbolt Driver

Use to tighten the Zipbolt connector with speed and performance.



Finish: steel

Length	Cat. No.
54.5 mm (2 1/8")	262.92.990

Packing: 1 pc.

Dimensional data not binding. We reserve the right to alter specifications without notice.