

Ball Bearing, Stainless Steel, Full Extension, Side Mounted, Premium



- 304 stainless steel.
- 1/2" side space required.
- Lever disconnect.

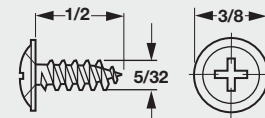


- Weight capacity, max. **34 kg.** (75 lbs.)
- Hold-in detent

Finish: stainless steel, passivated

Cat. No.	Length	Travel	Rating - per/pair	A	B	C	D	E	F	G	H
420.42.025	250 mm (9 ^{7/8} "	254 mm (10")	52 kg. (115 lbs.)	-	-	-	-	192	-	-	-
420.42.030	300 mm (11 ^{13/16} "	305 mm (12")	50 kg. (111 lbs.)	-	-	-	-	242	224	-	-
420.42.035	350 mm (13 ^{3/4} "	356 mm (14")	49 kg. (108 lbs.)	-	-	-	-	292	224	-	-
420.42.040	400 mm (15 ^{3/4} "	407 mm (16")	47 kg. (104 lbs.)	-	-	-	-	342	224	320	-
420.42.045	450 mm (17 ^{3/4} "	457 mm (18")	46 kg. (100 lbs.)	-	-	320	-	392	224	352	-
420.42.050	500 mm (19 ^{11/16} "	508 mm (20")	44 kg. (97 lbs.)	-	-	320	-	442	224	416	-
420.42.055	550 mm (21 ^{11/16} "	559 mm (22")	43 kg. (95 lbs.)	-	-	320	416	492	224	352	448
420.42.060	600 mm (23 ^{11/16} "	610 mm (24")	42 kg. (92 lbs.)	224	-	416	-	542	224	352	480
420.42.065	650 mm (25 ^{1/2} "	660 mm (26")	41 kg. (90 lbs.)	224	-	416	544	592	224	352	544
420.42.070	700 mm (27 ^{1/2} "	711 mm (28")	40 kg. (87 lbs.)	224	288	416	544	642	224	352	544

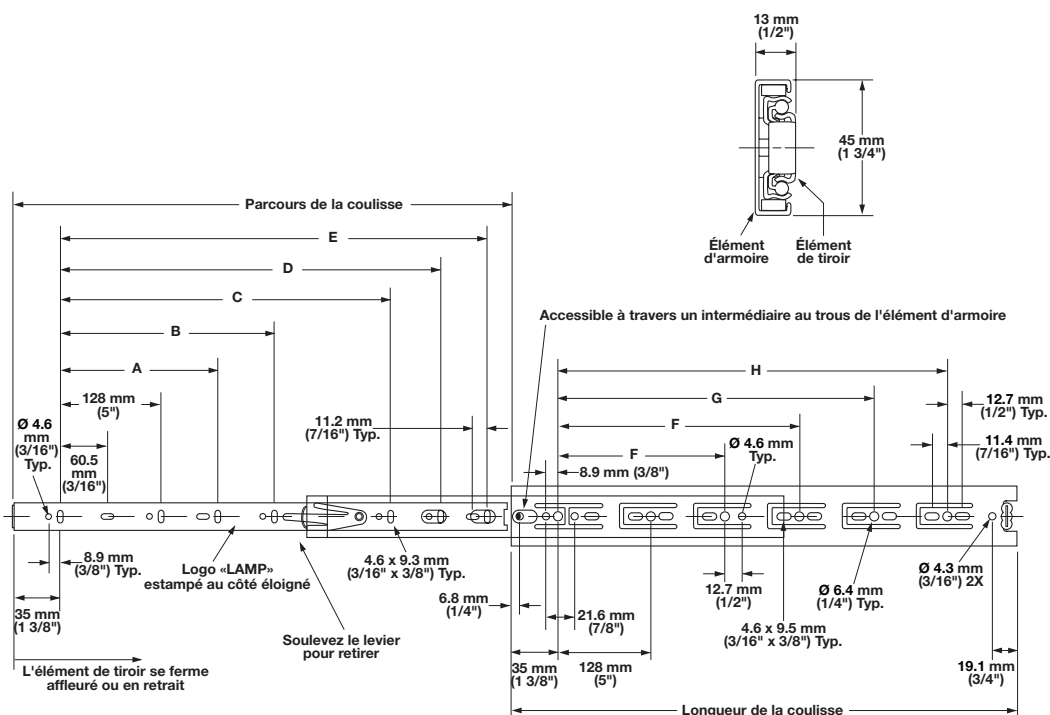
Packing: 10 pairs, bulk packed. Order screws separately.



The ideal screw for installing drawer slides with a special premounted washer and the Phillips drive size 2 for 1/8" dia. holes.

Finish	Cat. No.
zinc-plated	013.03.902
black	013.03.304
white	013.03.706

Packing: 200 pcs.



Dimensional data not binding. We reserve the right to alter specifications without notice.

Dimensions in mm
Inches are approximate



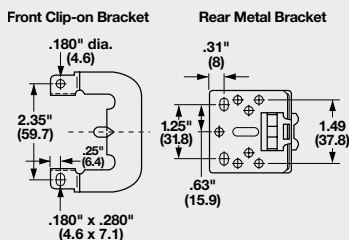
Ball Bearing - Weather Resistant Full Extension, Side Mounted, Premium

Accuride®
from **HÄFELE**



SYSTEM VARIANTA 32

- Full extension, telescoping slide
- For 32mm casegood construction
- For commercial and residential furniture applications.
- For kitchen cabinets where full extension is required.
- Features low profile for shallow drawers.
- Hold-in detent
- Unhanded slides
- Easy lever disconnect



Face frame brackets for Model 3832

1 set includes:
2 front brackets and 2 rear brackets
Finish: steel, zinc-plated

Cat. No. 422.04.000

Packing: 1 set

Varianta Special Screw:

For mounting in system holes
Countersunk head
Size Ø 6.0

Finish: steel, nickel-plated

Size	Cat. No.
10.5 mm length	013.14.718
13.5 mm length	013.14.727
16.0 mm length	013.14.736

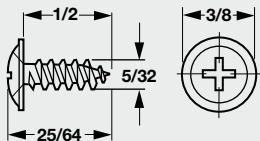
Packing: 500 pcs.

Pilaster Mounting Kit for 3832/3834

Finish: steel, zinc-plated

Cat. No. 422.59.000

Packing: 1 pair



Accuride special screws for all Accuride slide models. The ideal screw for installing drawer slides with a special premounted washer and a Phillips drive #2 for 1/8" dia. holes.

Finish	Cat. No.
zinc-plated	013.03.902
black	013.03.304
white	013.03.706

Packing: 200 pcs.

Dimensional data not binding.
We reserve the right to alter specifications without notice.

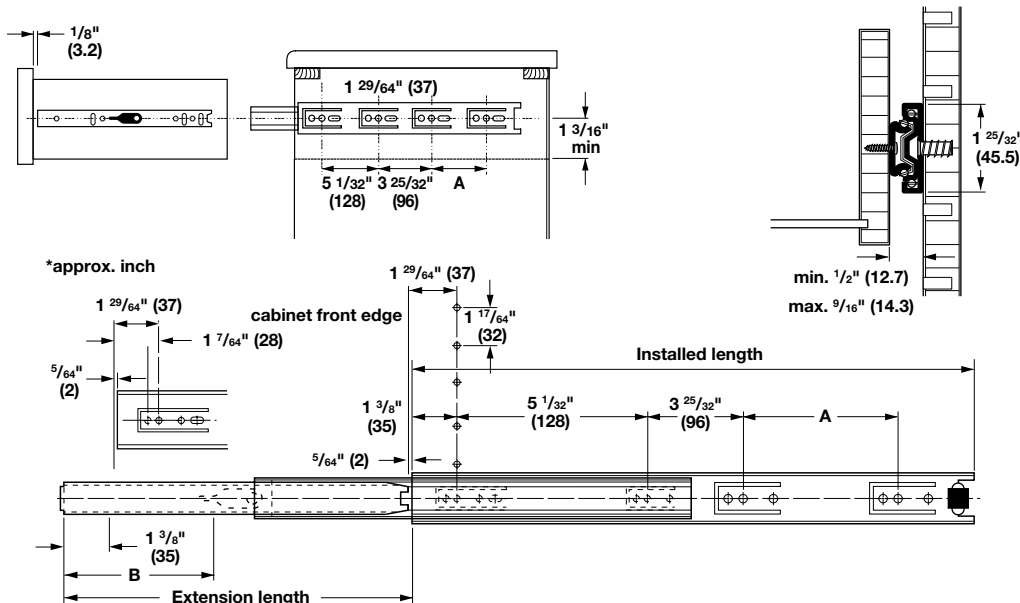
Accuride Model CH3832 - Weather Resistant Telescoping Drawer slide

- weight capacity, max. **45 kg**. (100 lbs.)/pair
- full extension
- side mounted, lever disconnect
- stainless steel ball bearings, retainer and rivets

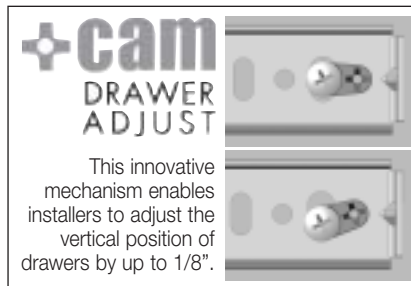
Finish: steel, zinc-plated

Installed Length	Extension length	Distance	Cat. No.
inch	mm	A mm B	zinc
10"	250	10" 250	131 422.04.825
12"	300	12" 300	163 422.04.830
14"	350	14" 350	163 422.04.835
16"	400	16" 400	96 163 422.04.840
18"	450	18" 450	128 163 422.04.845
20"	500	20" 500	192 163 422.04.850
22"	550	22" 550	224 163 422.04.855
24"	600	24" 600	256 163 422.04.860
26"	650	26" 650	320 163 422.04.865
28"	700	28" 700	320 163 422.04.870

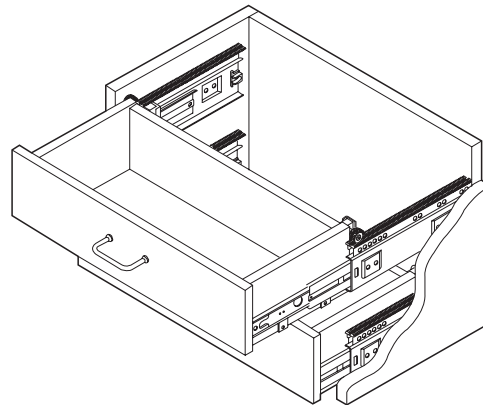
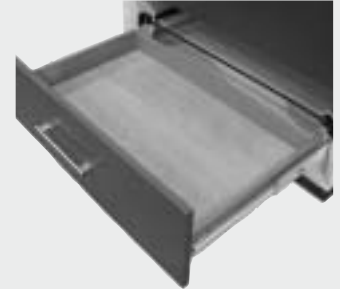
Packing: 10 pairs



Dimensions in mm
Inches are approximate



Rack and Pinion Drawer Slide 3/4 Extension, Bottom Mounted



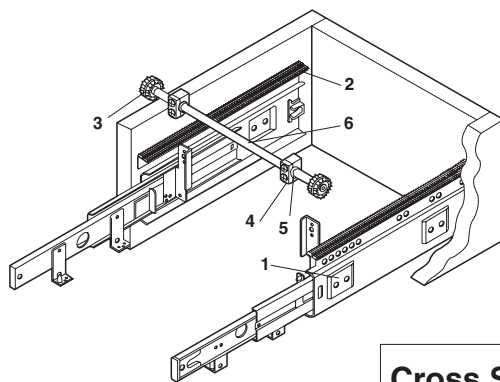
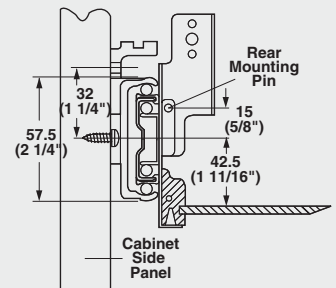
Rack and Pinion Drawer System

- weight capacity, max. **90 kg.** (200 lbs./set)
- maximum interior cabinet width 1544 mm (60 3/4")
- parallel slide movement
- eliminates side to side drawer racking

Finish: steel, zinc-black plated

Description	Drawer Lengths	Cat. No.
Rack and pinion drawer system	498 mm - 558 mm (19 5/8" - 22")	420.90.995

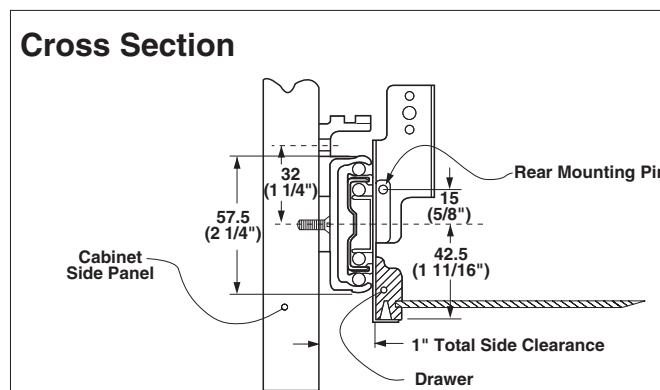
Packing: 1 set



Parts/Assembly Details:

1. Ball Bearing Slide	1 pair
2. Rack Drive	2 pcs.
3. Pinion Wheel	2 pcs.
4. Mounting Block with Screws	2 pcs.
5. Bushing	2 pcs.
6. Connecting Rod, 60"	1 pcs.

Cross Section



Dimensional data not binding. We reserve the right to alter specifications without notice.

Dimensions in mm
Inches are approximate