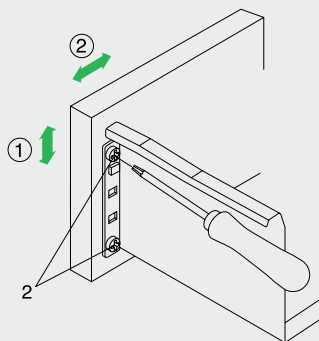


Height 85 mm

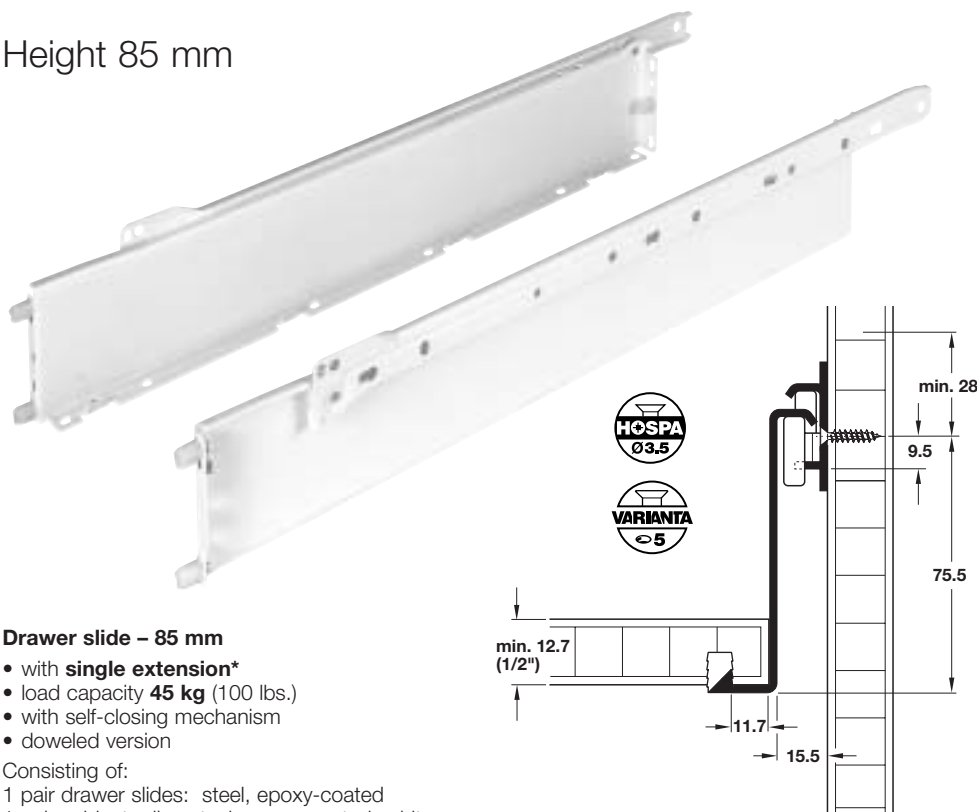


Adjustment features:

- 1 Height Adjustment:**
Loosen screws 2 slightly.
Move front to required position 1 (adjustment ± 1.5 mm).
Tighten screws 2.
- 2 Side Adjustment:**
Loosen screws 2 slightly.
Adjust front to required position (adjustment range ± 1.5 mm).
Tighten screws 2.

After adjusting front panel, mount fixing screw.

Base width = inner cabinet width minus 31 mm
Bottom width = rear panel width



Drawer slide – 85 mm

- with **single extension***
- load capacity **45 kg** (100 lbs.)
- with self-closing mechanism
- doweled version

Consisting of:

- 1 pair drawer slides: steel, epoxy-coated
- 1 pair cabinet rails: steel, epoxy-coated, white
- 1 set pre-attached dowels

Slide length	Extension length	Bottom panel length		Cat. No. white
		19 mm back	16 mm back	
270 mm	200 mm	247 mm	250 mm	558.28.727
350 mm	280 mm	327 mm	330 mm	558.28.735
400 mm	300 mm	377 mm	380 mm	558.28.740
440 mm	340 mm	417 mm	420 mm	558.28.744
470 mm	370 mm	447 mm	450 mm	558.28.747
510 mm	410 mm	487 mm	490 mm	558.28.751
550 mm	450 mm	527 mm	530 mm	558.28.755

Packing: 10 sets

* can be converted to **full extension** with intermediate rail Cat. No. 558.19 (page 92)

Mounting screws:

Hospa chipboard screws
countersunk head
with Pozi drive #2 cross slot
Finish: steel, galvanized



Length	Cat. No.
13 mm	015.31.620
15 mm	015.31.639
17 mm	015.31.648

Packing: 1000 pcs.

Varianta special screws

flat head
with Pozi drive #2 cross slot
Finish: steel, galvanized

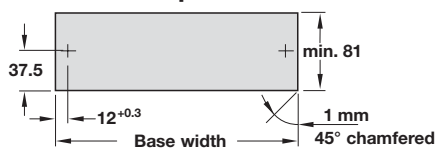


Length	Cat. No.
10.5 mm	013.15.715
13.5 mm	013.15.724
16.0 mm	013.15.733

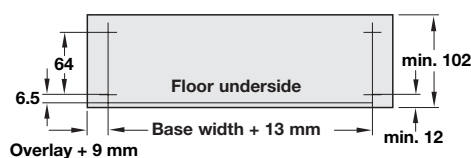
Packing: 500 pcs.

Dimensional data not binding.
We reserve the right to alter specifications without notice.

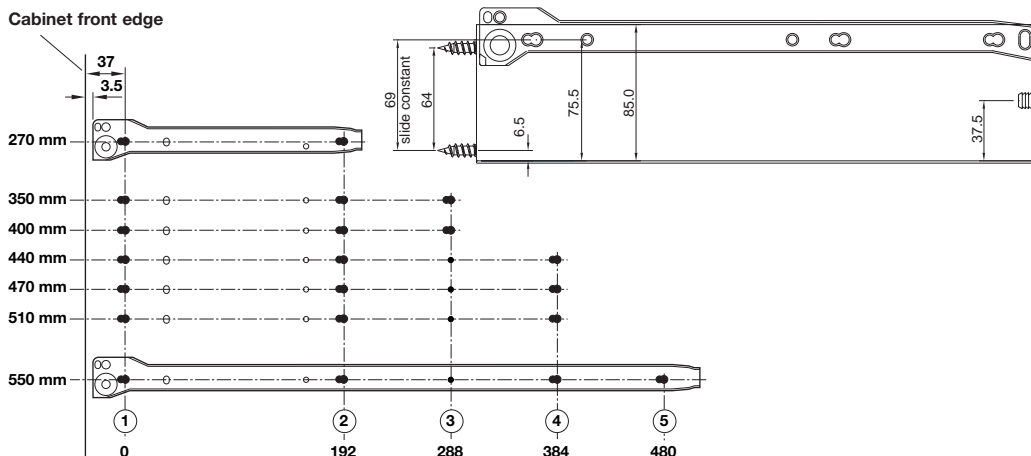
Rear panel



Front



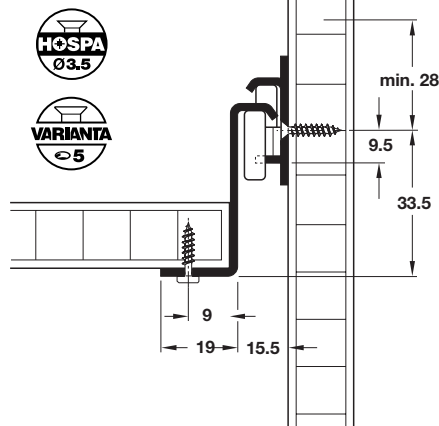
Cabinet front edge



Dimensions in mm
Inches are approximate

G* Zargen Drawer Systems 6035/D3

Height 43 mm



Drawer slide – 43 mm

- with **single extension***
- load capacity **45 kg** (100 lbs.)
- with self-closing mechanism
- screw-on version

Consisting of:

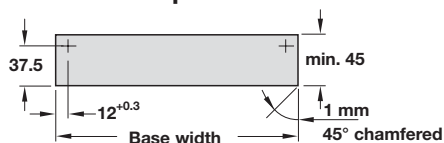
- 1 pair drawer slides: steel, epoxy-coated
- 1 pair cabinet rails: steel, epoxy-coated, white
- 1 set screws for front panel mounting

Slide length	Extension length	Bottom panel length		Cat. no.	
		19 mm back	16 mm back	white RAL 9010	metallic RAL 9006
270 mm	200 mm	248 mm	251 mm	558.20.712	558.20.212
350 mm	280 mm	328 mm	331 mm	558.20.703	558.20.203
400 mm	300 mm	378 mm	381 mm	558.20.721	558.20.221
440 mm	340 mm	418 mm	421 mm	558.20.730	558.20.230
470 mm	370 mm	448 mm	451 mm	558.20.749	558.20.249
510 mm	410 mm	488 mm	491 mm	558.20.758	558.20.258
550 mm	450 mm	528 mm	531 mm	558.20.767	558.20.267

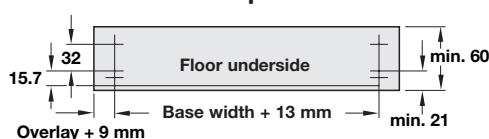
Packing: 20 sets

* can be converted to **full extension** with intermediate rail Cat. No. 558.19 (page 92)

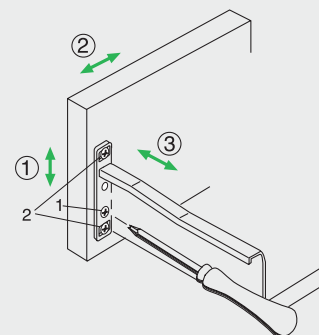
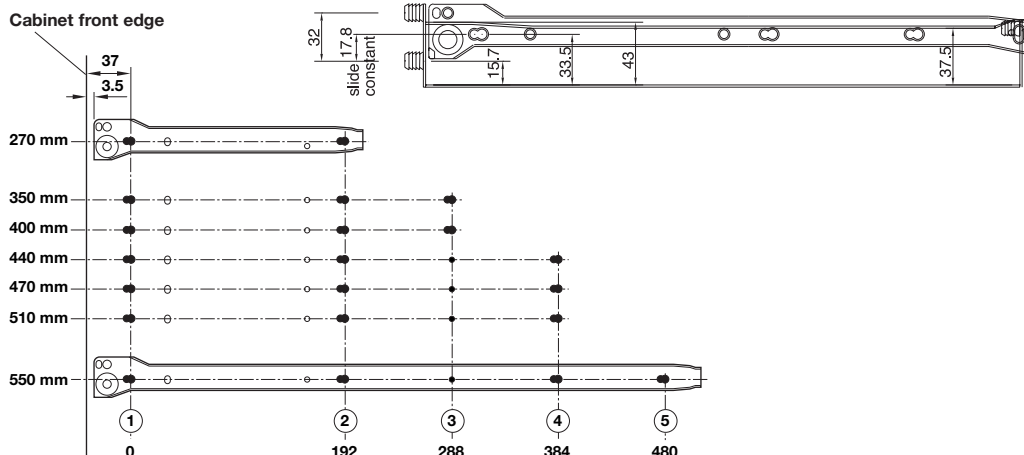
Rear panel



Front panel



Cabinet front edge



Adjustment features:

- 1 Height Adjustment:**
Loosen screws 2 slightly. Adjust screw 1 (adjustment ± 2 mm). Tighten screws 2.
- 2 Side Adjustment:**
Loosen screws 2 slightly. Adjust front to required position (adjustment range ± 1.5 mm). Tighten screws 2.
- 3 Angle Correction:**
Loosen top screw or bottom screw 2 according to your needs.

After adjusting front panel, mount fixing screw.

- Base Width = inside cabinet width + 31mm
- Bottom Width = rear panel width

Mounting screws:

Hospa chipboard screws **countersunk head** with Pozi drive #2 cross slot
Finish: steel, zinc-plated



Length	Cat. No.
13 mm	015.31.620
15 mm	015.31.639
17 mm	015.31.648

Packing: 1000 pcs.

Varianta special screws **flat head** with Pozi drive #2 cross slot
Finish: steel, nickel-plated



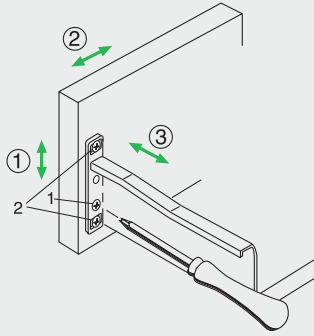
Length	Cat. No.
10.5 mm	013.15.715
13.5 mm	013.15.724
16.0 mm	013.15.733

Packing: 500 pcs.

Dimensional data not binding. We reserve the right to alter specifications without notice.

G* Zargen Drawer Systems 6035/D1

Height 43 mm



Adjustment features:

- 1 Height Adjustment:**
Loosen screws 2 slightly. Adjust screw 1 (adjustment ± 2 mm). Tighten screws 2.
- 2 Side Adjustment:**
Loosen screws 2 slightly. Adjust front to required position (adjustment range ± 1.5 mm). Tighten screws 2.
- 3 Angle Correction:**
Loosen top screw or bottom screw 2 according to your needs.

After adjusting front panel, mount fixing screw.

Base width = inner cabinet width minus 31 mm
Bottom width = rear panel width

Mounting screws:

Hospa chipboard screws
countersunk head
with Pozi drive #2 cross slot
Finish: steel, galvanized



Length	Cat. No.
13 mm	015.31.620
15 mm	015.31.639
17 mm	015.31.648

Packing: 1000 pcs.

Varianta special screws
flat head
with Pozi drive #2 cross slot
Finish: steel, galvanized



Length	Cat. No.
10.5 mm	013.15.715
13.5 mm	013.15.724
16.0 mm	013.15.733

Packing: 500 pcs.

Dimensional data not binding.
We reserve the right to alter specifications without notice.

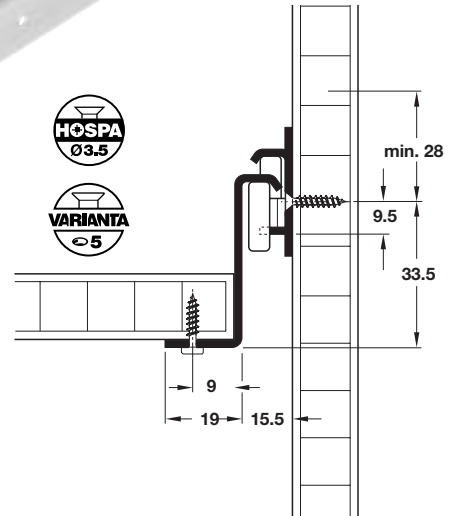


Drawer slide – 43 mm

- with **single extension***
- load capacity **45 kg** (100 lbs.)
- with self-closing mechanism
- doweled version

Consisting of:

- 1 pair drawer slides: steel, epoxy-coated
- 1 pair cabinet rails: steel, epoxy-coated, white
- 1 set pre-attached dowels

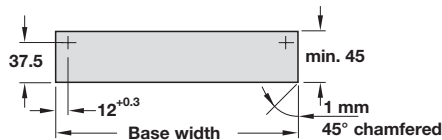


Slide length	Extension length	Bottom panel length		Cat. no.	
		19 mm back	16 mm back	white RAL 9010	metallic RAL 9006
270 mm	200 mm	248 mm	251 mm	558.26.827	558.26.127
350 mm	280 mm	328 mm	331 mm	558.26.835	558.26.135
400 mm	300 mm	378 mm	381 mm	558.26.840	558.26.140
440 mm	340 mm	418 mm	421 mm	558.26.844	558.26.144
470 mm	370 mm	448 mm	451 mm	558.26.847	558.26.147
510 mm	410 mm	488 mm	491 mm	558.26.851	558.26.151
550 mm	450 mm	528 mm	531 mm	558.26.855	558.26.155

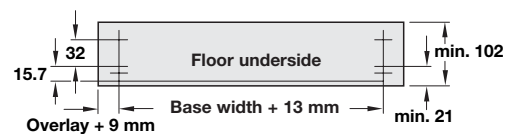
Packing: 10 sets

* can be converted to **full extension** with intermediate rail Cat. No. 558.19 (page 92)

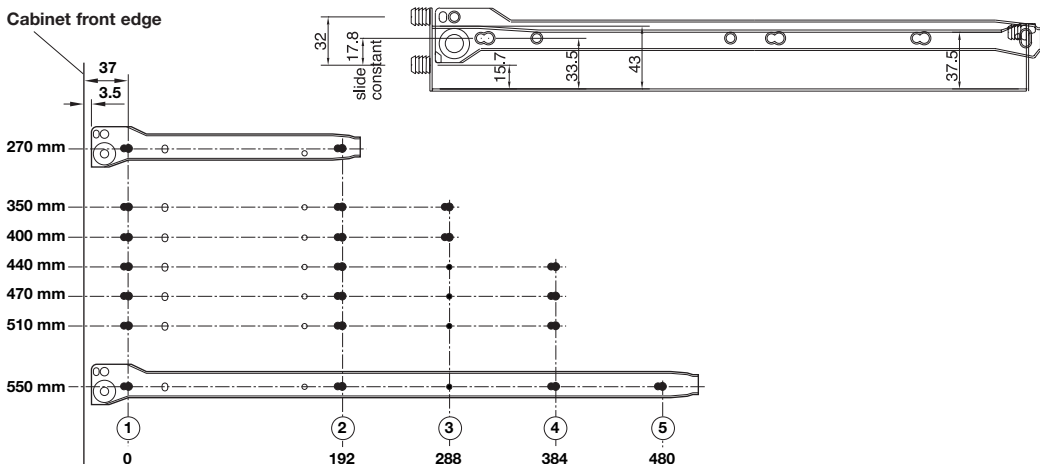
Rear panel



Front panel

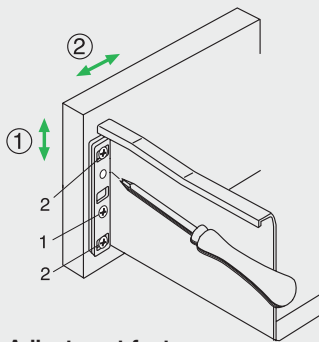


Cabinet front edge



Dimensions in mm
Inches are approximate

Height 85 mm



Adjustment features:

- 1** Height Adjustment:
Loosen screws 2 slightly.
Adjust screw 1 (adjustment ± 2 mm). Tighten screws 2.
- 2** Side Adjustment:
Loosen screws 2 slightly.
Adjust front to required position (adjustment range ± 1.5 mm). Tighten screws 2.
- 3** Angle Correction:
Loosen top screw or bottom screw 2 according to your needs.

After adjusting front panel, mount fixing screw.

Base width = inner cabinet width minus 31 mm
Bottom width = rear panel width

Mounting screws:

Hospa chipboard screws
countersunk head
with Pozi drive #2 cross slot
Finish: steel, galvanized



Length	Cat. No
13 mm	015.31.620
15 mm	015.31.639
17 mm	015.31.648

Packing: 1000 pcs.

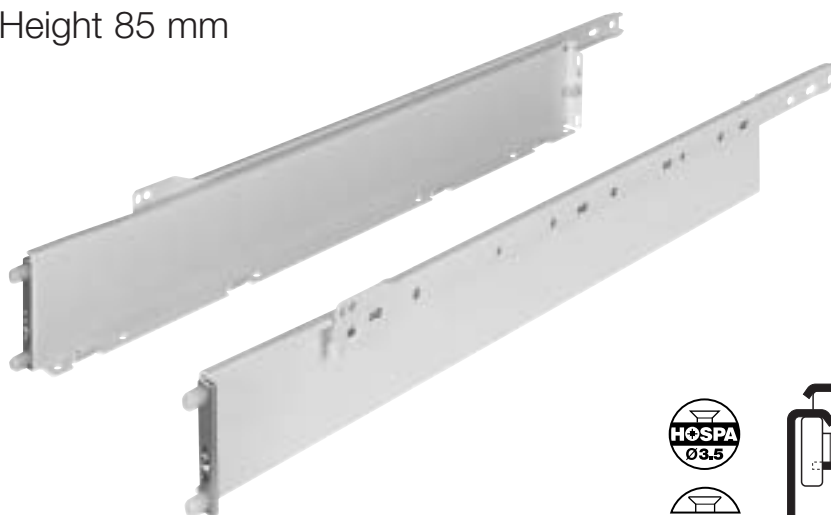
Varianta special screws
flat head
with Pozi drive #2 cross slot
Finish: steel, galvanized



Length	Cat. No.
10.5 mm	013.15.715
13.5 mm	013.15.724
16.0 mm	013.15.733

Packing: 500 pcs.

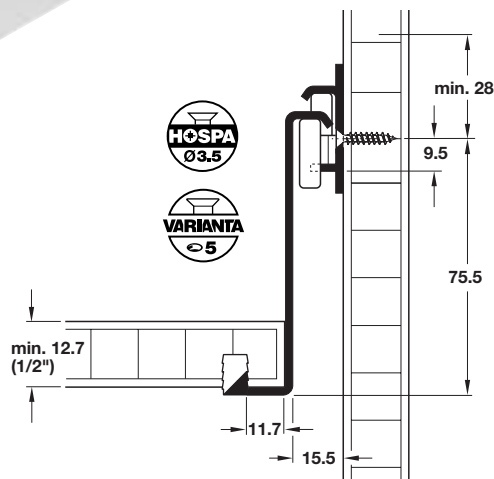
Dimensional data not binding.
We reserve the right to alter specifications without notice.



Drawer slide – 85 mm

- with **single extension***
- load capacity **45 kg** (100 lbs.)
- with self-closing mechanism
- doweled version

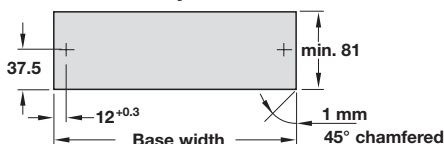
Consisting of:
1 pair drawer slides: steel, epoxy-coated
1 pair cabinet rails: steel, epoxy-coated, white
1 set pre-attached dowels



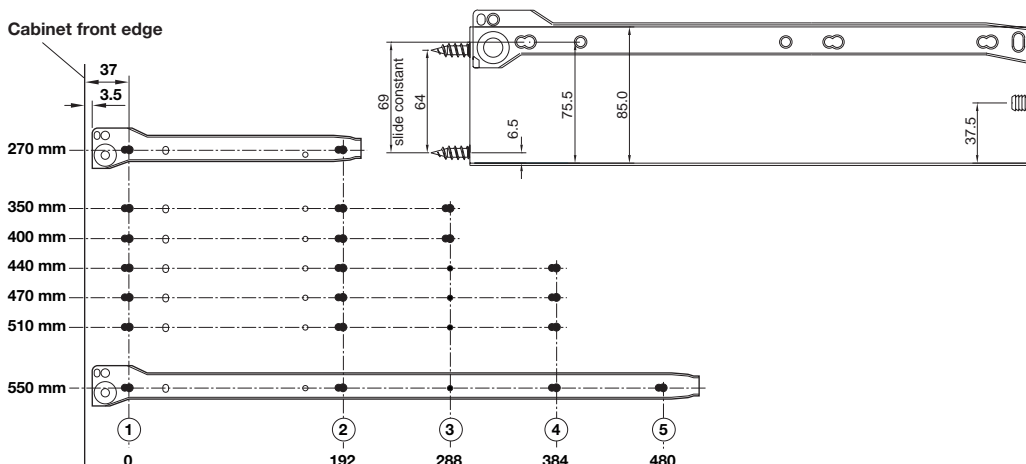
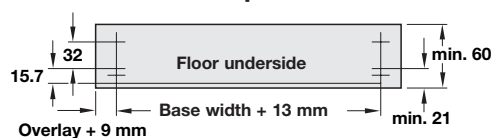
Slide length	Extension length	Bottom panel length		Cat. no.	
		19 mm back	16 mm back	white RAL 9010	metallic RAL 9006
270 mm	200 mm	248 mm	251 mm	558.27.727	558.22.227
350 mm	280 mm	328 mm	331 mm	558.27.735	558.22.235
400 mm	300 mm	378 mm	381 mm	558.27.740	558.22.240
440 mm	340 mm	418 mm	421 mm	558.27.744	558.22.244
470 mm	370 mm	448 mm	451 mm	558.27.747	558.22.247
510 mm	410 mm	488 mm	491 mm	558.27.751	558.22.251
550 mm	450 mm	528 mm	531 mm	558.27.755	558.22.255

Packing: 10 sets * can be converted to **full extension** with intermediate rail Cat. No. 558.19 (page 92)

Rear panel



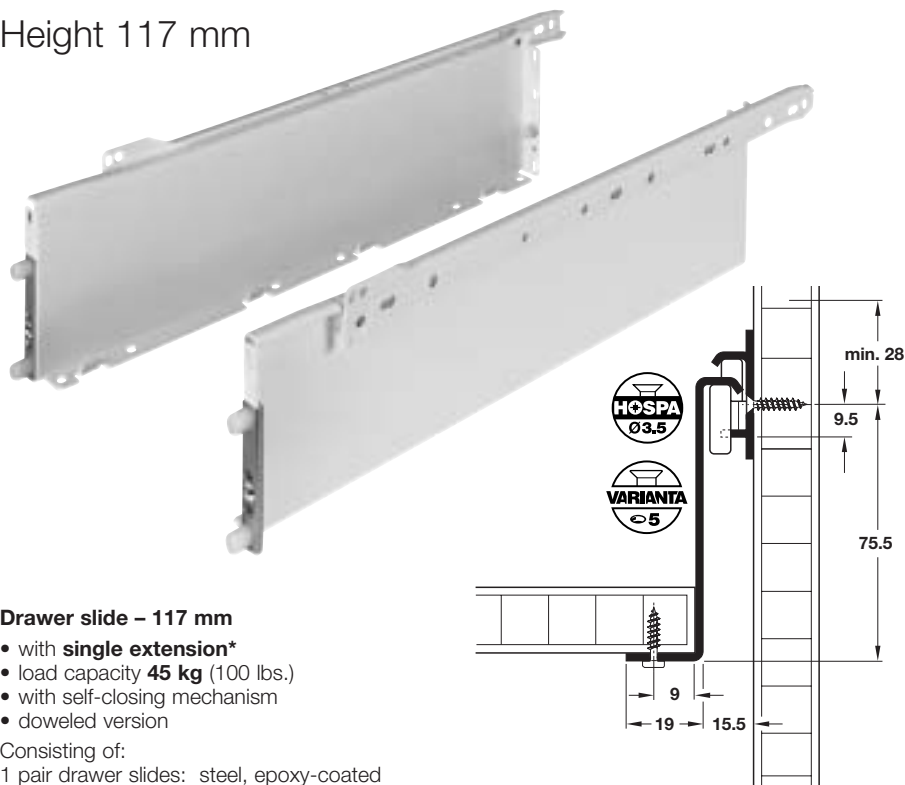
Front panel



Dimensions in mm
Inches are approximate

G* Zargen Drawer Systems 6136/D1

Height 117 mm



Drawer slide – 117 mm

- with **single extension***
- load capacity **45 kg** (100 lbs.)
- with self-closing mechanism
- doweled version

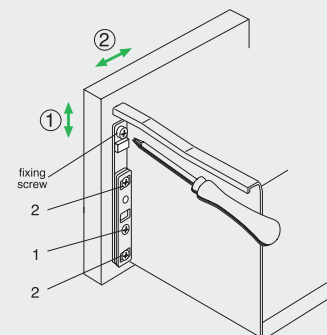
Consisting of:

- 1 pair drawer slides: steel, epoxy-coated
- 1 pair cabinet rails: steel, epoxy-coated, white
- 1 set pre-attached dowels

Slide length	Extension length	Bottom panel length		Cat. no.	
		19 mm back	16 mm back	white RAL 9010	metallic RAL 9006
350 mm	280 mm	328 mm	331 mm	558.21.835	—
400 mm	300 mm	378 mm	381 mm	558.21.840	—
440 mm	340 mm	418 mm	421 mm	558.21.844	558.21.644
470 mm	370 mm	448 mm	451 mm	558.21.847	558.21.647
510 mm	410 mm	488 mm	491 mm	558.21.851	558.21.651
550 mm	450 mm	528 mm	531 mm	558.21.855	558.21.655

Packing: 10 sets

* can be converted to **full extension** with intermediate rail Cat. No. 558.19 (page 92)



Adjustment features:

- 1 Height Adjustment:**
Loosen screws 2 slightly. Adjust screw 1 (adjustment ± 2 mm). Tighten screws 2.
- 2 Side Adjustment:**
Loosen screws 2 slightly. Adjust front to required position (adjustment range ± 1.5 mm). Tighten screws 2.
- 3 Angle Correction:**
Loosen top screw or bottom screw 2 according to your needs.

After adjusting front panel, mount fixing screw.

Base width = inner cabinet width minus 31 mm
Bottom width = rear panel width

Mounting screws:

Hospa chipboard screws
countersunk head
with Pozi drive #2 cross slot
Finish: steel, galvanized



Length	Cat. No.
13 mm	015.31.620
15 mm	015.31.639
17 mm	015.31.648

Packing: 1000 pcs.

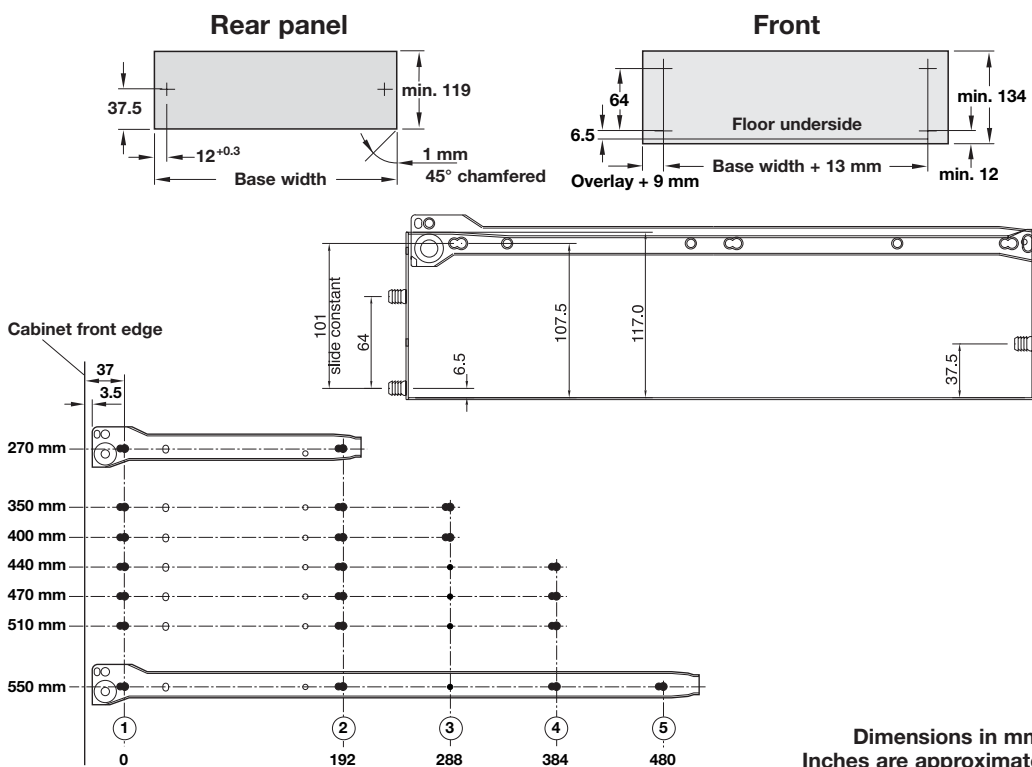
Varianta special screws
flat head
with Pozi drive #2 cross slot
Finish: steel, galvanized



Length	Cat. No.
10.5 mm	013.15.715
13.5 mm	013.15.724
16.0 mm	013.15.733

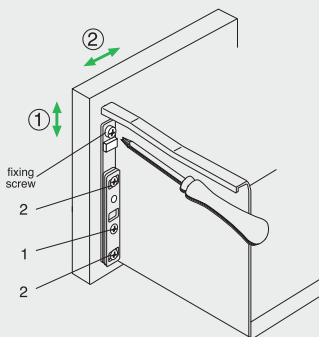
Packing: 500 pcs.

Dimensional data not binding.
We reserve the right to alter specifications without notice.



Dimensions in mm
Inches are approximate

Height 149 mm



Adjustment features:

- 1** Height Adjustment:
Loosen screws 2 slightly.
Adjust screw 1 (adjustment ± 2 mm). Tighten screws 2.
- 2** Side Adjustment:
Loosen screws 2 slightly.
Adjust front to required position (adjustment range ± 1.5 mm). Tighten screws 2.
- 3** Angle Correction:
Loosen top screw or bottom screw 2 according to your needs.

After adjusting front panel, mount fixing screw.

Base width = inner cabinet width minus 31 mm
Bottom width = rear panel width

Mounting screws:

Hospa chipboard screws
countersunk head
with Pozi drive #2 cross slot
Finish: steel, galvanized



Length	Cat. No.
13 mm	015.31.620
15 mm	015.31.639
17 mm	015.31.648

Packing: 1000 pcs.

Varianta special screws
flat head
with Pozi drive #2 cross slot
Finish: steel, galvanized



Length	Cat. No.
10.5 mm	013.15.715
13.5 mm	013.15.724
16.0 mm	013.15.733

Packing: 500 pcs.

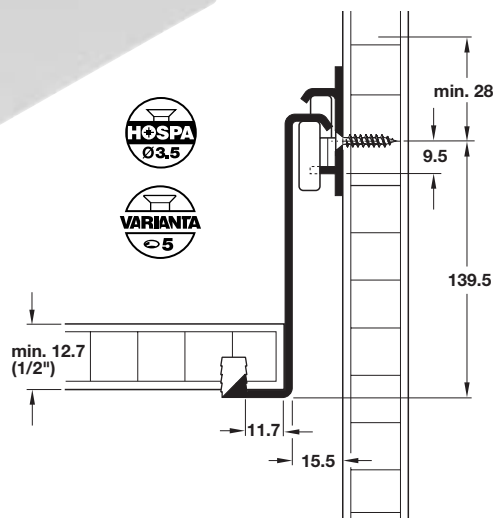
Dimensional data not binding.
We reserve the right to alter specifications without notice.



Drawer slide – 149 mm

- with **single extension***
- load capacity **45 kg** (100 lbs.)
- with self-closing mechanism
- doweled version

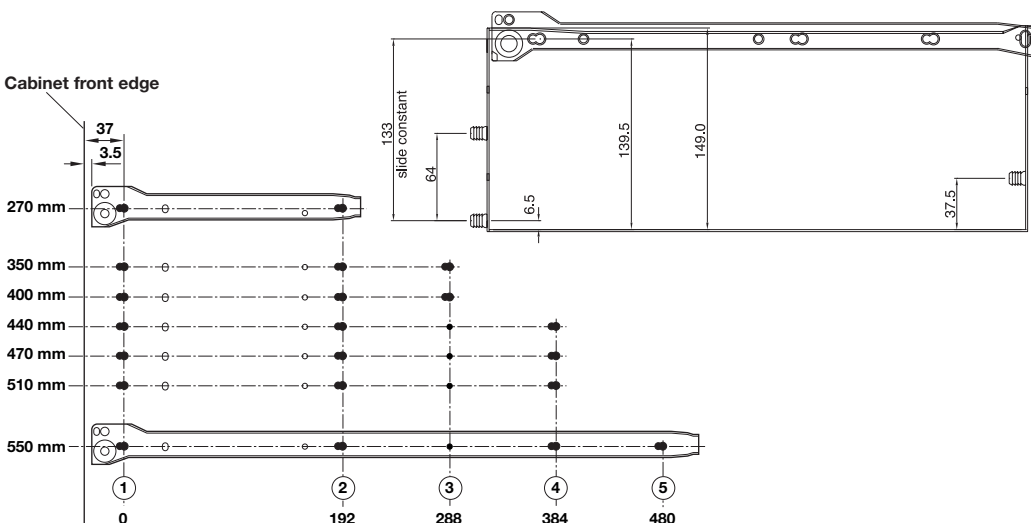
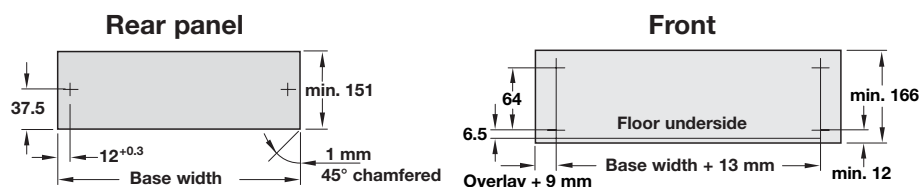
Consisting of:
1 pair drawer slides: steel, epoxy-coated
1 pair cabinet rails: steel, epoxy-coated, white
1 set pre-attached dowels



Slide length	Extension length	Bottom panel length		Cat. no.	
		19 mm back	16 mm back	white RAL 9010	metallic RAL 9006
350 mm	280 mm	328 mm	331 mm	558.23.835	—
400 mm	300 mm	378 mm	381 mm	558.23.840	—
440 mm	340 mm	418 mm	421 mm	558.23.844	558.23.144
470 mm	370 mm	448 mm	451 mm	558.23.847	558.23.147
510 mm	410 mm	488 mm	491 mm	558.23.851	558.23.151
550 mm	450 mm	528 mm	531 mm	558.23.855	558.23.155

Packing: 5 sets

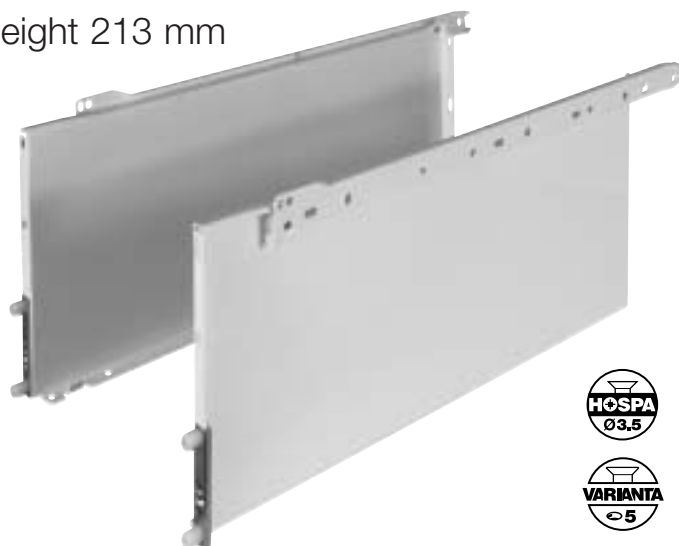
* can be converted to **full extension** with intermediate rail Cat. No. 558.19 (page 92)



Dimensions in mm
Inches are approximate

G* Zargen Drawer Systems 6436/D1

Height 213 mm

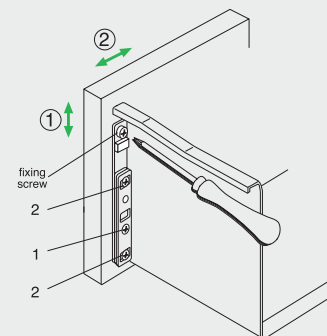
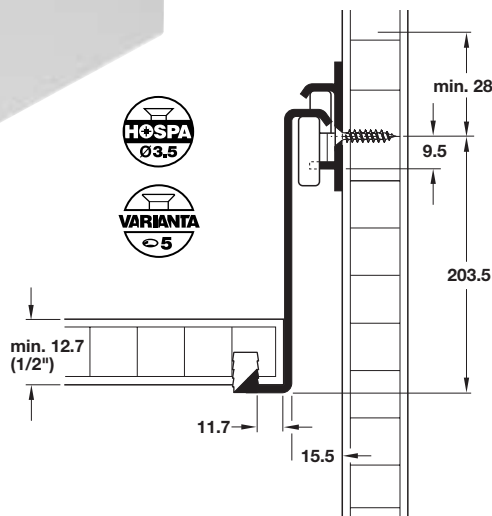


Drawer slide – 213 mm

- with **single extension***
- load capacity **45 kg** (100 lbs.)
- with self-closing mechanism
- doweled version

Consisting of:

- 1 pair drawer slides: steel, epoxy-coated
- 1 pair cabinet rails: steel, epoxy-coated, white
- 1 set pre-attached dowels



Adjustment features:

- 1 Height Adjustment:**
Loosen screws 2 slightly. Adjust screw 1 (adjustment range ± 2 mm). Tighten screws 2.
- 2 Side Adjustment:**
Loosen screws 2 slightly. Adjust front to required position (adjustment range ± 1.5 mm). Tighten screws 2.
- 3 Angle Correction:**
Loosen top screw or bottom screw 2 according to your needs.

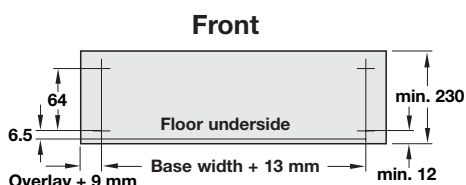
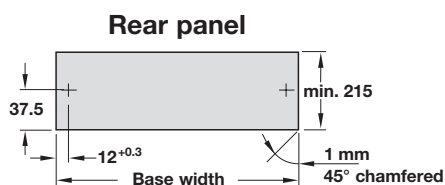
After adjusting front panel, mount fixing screw.

Base width = inner cabinet width minus 31 mm
Bottom width = rear panel width

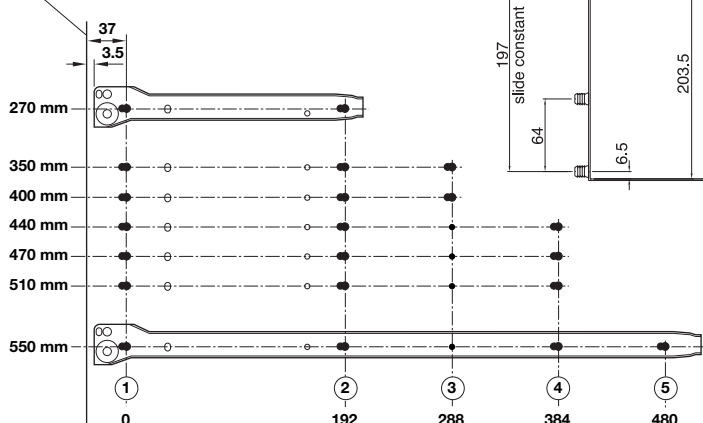
Slide length	Extension length	Bottom panel length		Cat. no.	
		19 mm back	16 mm back	white RAL 9010	metallic RAL 9006
350 mm	280 mm	328 mm	331 mm	558.24.835	—
400 mm	300 mm	378 mm	381 mm	558.24.840	558.24.140
440 mm	340 mm	418 mm	421 mm	558.24.844	558.24.144
470 mm	370 mm	448 mm	451 mm	558.24.847	558.24.147
510 mm	410 mm	488 mm	491 mm	558.24.851	558.24.151
550 mm	450 mm	528 mm	531 mm	558.24.855	558.24.155

Packing: 5 sets

* can be converted to **full extension** with intermediate rail Cat. No. 558.19 (page 92)



Cabinet front edge



Mounting screws:

Hospa chipboard screws
countersunk head
with Pozi drive #2 cross slot
Finish: steel, galvanized



Length	Cat. No.
13 mm	015.31.620
15 mm	015.31.639
17 mm	015.31.648

Packing: 1000 pcs.

Varianta special screws
flat head
with Pozi drive #2 cross slot
Finish: steel, galvanized



Length	Cat. No.
10.5 mm	013.15.715
13.5 mm	013.15.724
16.0 mm	013.15.733

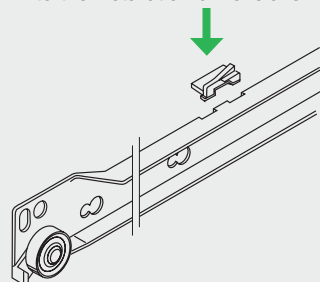
Packing: 500 pcs.

Dimensional data not binding.
We reserve the right to alter specifications without notice.

Dimensions in mm
Inches are approximate

Installation:

- 1 Remove clip from full extension element and press it onto the left cabinet rail.
- 2 Assemble cabinet rail according to the installation dimensions.



- 3 Insert full extension element like a drawer.
- 4 Then insert drawer, extension or shelf.

Spare guide clips

	Cat. No
1 hole	558.19.290
2 holes	558.19.291

Packing: 10 pcs.

Mounting screws:

Hospa chipboard screws
countersunk head
with Pozi drive #2 cross slot
Finish: steel, zinc-plated



Length	Cat. No
13 mm	015.31.620
15 mm	015.31.639
17 mm	015.31.648

Packing: 1000 pcs.

Varianta special screws
flat head
with Pozi drive #2 cross slot
Finish: steel, nickel-plated



Length	Cat. No.
10.5 mm	013.15.715
13.5 mm	013.15.724
16.0 mm	013.15.733

Packing: 500 pcs.

Dimensional data not binding.
We reserve the right to alter
specifications without notice.



Full extension rail

Drawer slides can be converted from single extension to **full extension** with the intermediate rail.

Finish: steel, epoxy-coated

Rail length	Extension length	Cat. No.	
		white RAL 9010	metallic RAL 9006
270 mm	275 mm	558.19.719	558.19.219
350 mm	355 mm	558.19.700	558.19.200
400 mm	405 mm	558.19.728	558.19.228
440 mm	445 mm	558.19.737	558.19.237
470 mm	475 mm	558.19.746	558.19.246
510 mm	515 mm	558.19.755	558.19.255
550 mm	555 mm	558.19.764	558.19.264

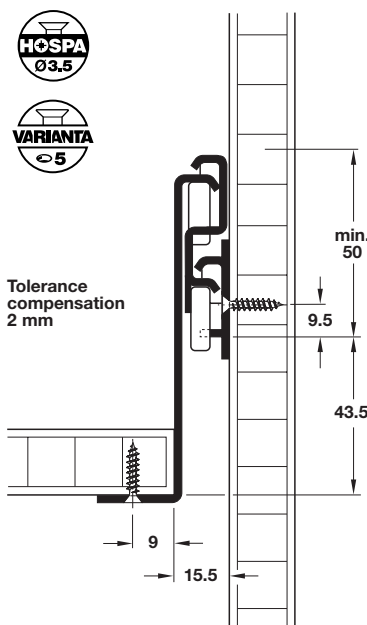
Packing: 10 pairs

Important:

To retain the same front panel position the cabinet rail must be relocated 32 mm below its original position if subsequently installed.

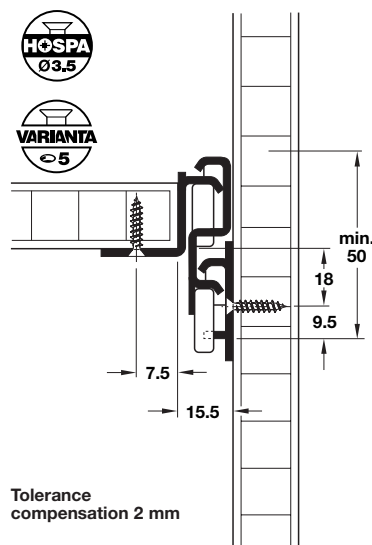
Example:

85 mm drawer guide height with intermediate rail



Example:

shelf extension with intermediate rail



G* Zargen Drawer Slide 6034

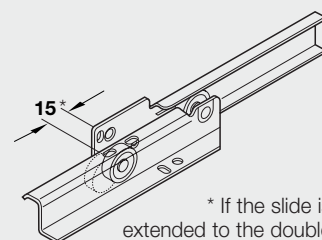
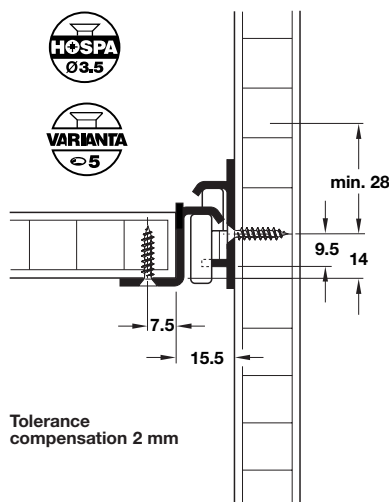


- load capacity **45 kg** (100 lbs.)
- special nylon rollers
- single extension (with intermediate rail 558.19 also convertible to **full extension**, see previous page)
- self-closing

Finish: steel, epoxy-coated

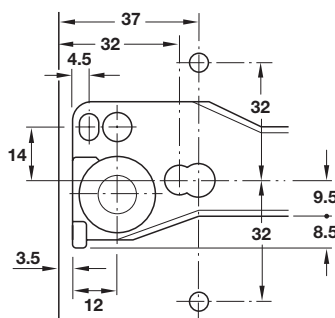
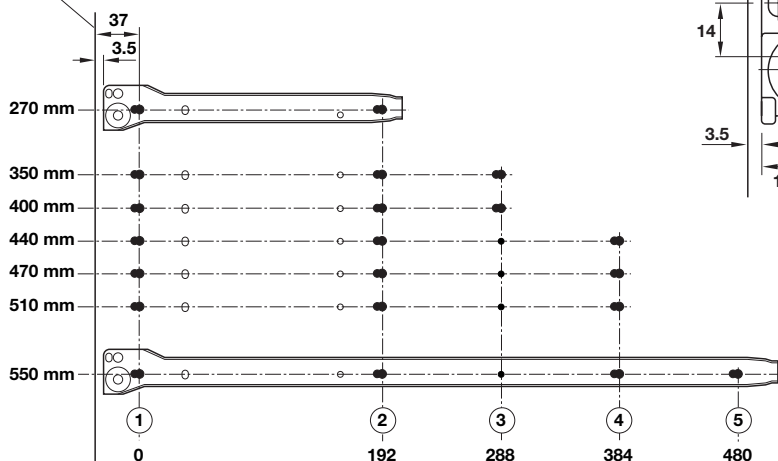
Installation length	Extension length	Cat. No.	
		white RAL 9010	metallic RAL 9006
270 mm	200 mm	558.14.714	558.14.214
350 mm	280 mm	558.14.705	558.14.205
400 mm	300 mm	558.14.723	558.14.223
440 mm	340 mm	558.14.732	558.14.232
470 mm	370 mm	558.14.741	558.14.241
510 mm	410 mm	558.14.750	558.14.250
550 mm	450 mm	558.14.769	558.14.269

Packing: 20 pairs



* If the slide is extended to the double stopper the extension length is increased by 15 mm (for rail lengths over 400 mm). In addition the double stopper serves as a withdrawal prevention when pulling the drawer out and also enables the extension to be arrested in an opened position.

Cabinet front edge



Mounting screws:

Hospa chipboard screws **countersunk head** with Pozi drive #2 cross slot
Finish: steel, zinc-plated

Length	Cat. No
13 mm	015.31.620
15 mm	015.31.639
17 mm	015.31.648

Packing: 1000 pcs.

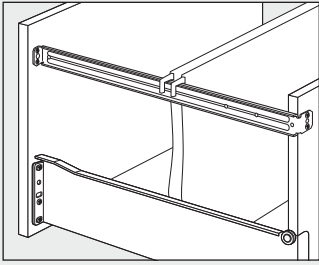
Varianta special screws **flat head** with Pozi drive #2 cross slot
Finish: steel, nickel-plated

Length	Cat. No.
10.5 mm	013.15.715
13.5 mm	013.15.724
16.0 mm	013.15.733

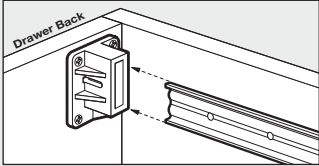
Packing: 500 pcs.

Dimensional data not binding.
We reserve the right to alter specifications without notice.

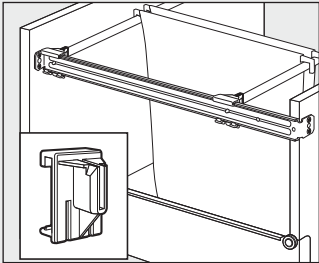
G* Pendaflex Railing System for Zargen



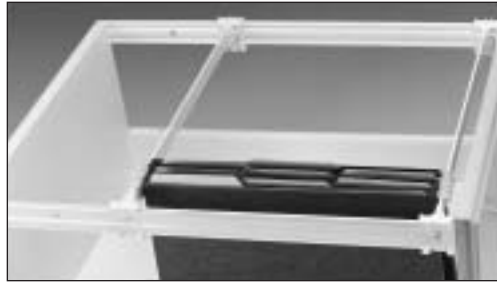
Pendaflex system with side rails.



Pendaflex system with partition rail and partition clip.



Pendaflex system with side rails, file bars and lateral file clips for lateral file application.



- Designed for use with metal drawer system or wood drawer application.
- File bar accommodates lateral file application.
- Easy to construct.

Side Railing

Finish: steel, white

Actual Length	For Slide Length	Cat. No.
468.5 mm	470 mm	558.15.605
508.5 mm	510 mm	558.15.606
548.5 mm	550 mm	558.15.607

Packing: 20 pcs.

Partition Railing

Finish: steel, white

Actual Length	For Slide Length	Cat. No.
442.5 mm	470 mm	558.15.615
482.5 mm	510 mm	558.15.616
522.5 mm	550 mm	558.15.617

Packing: 20 pcs.

File Bar, 711 mm (28")

Must use lateral file clip 558.15.692.

Finish: steel, white

Cat. No.	558.15.690
----------	------------

Packing: 20 pcs.



Lateral File Clip

Finish: plastic, white

Cat. No.	558.15.692
----------	------------

Packing: 20 pcs.

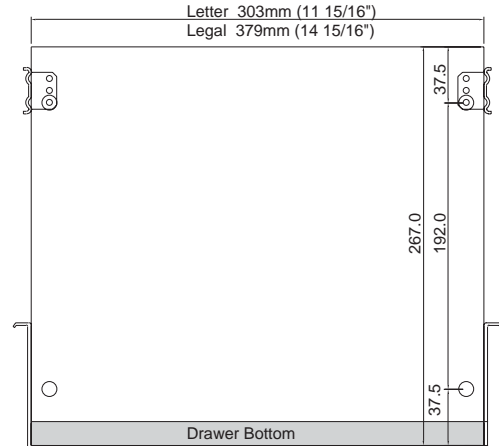


Partition Clip

Finish: plastic, white

Cat. No.	558.15.691
----------	------------

Packing: 20 pcs.



Dimensional data not binding.
We reserve the right to alter specifications without notice.

G* Zargen Drawer Systems Accessories



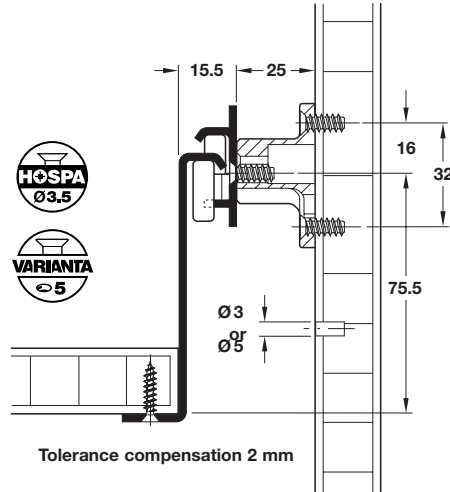
Spacer

For screwing into series holes with a 25 mm or 32 mm pattern. To compensate for door offsets up to 25 mm when installed behind revolving doors.

Finish: plastic, white

	Cat. No.
Without pin	558.12.836
With pin 25 mm	558.25.920

Packing: 20 pcs.



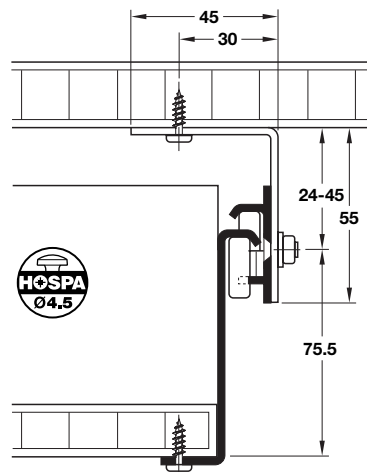
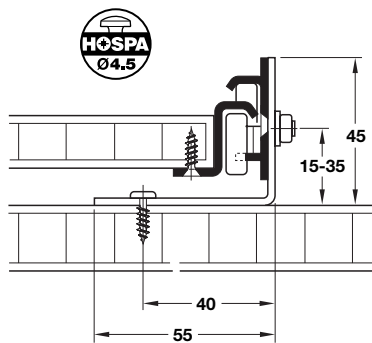
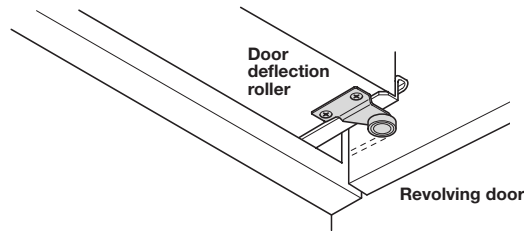
Door deflection roller

For protecting revolving doors during the opening operation.

Finish: steel, plastic-coated, white, RAL 9010

	Cat. No.
right	558.12.809
left	558.12.818

Packing: 100 pcs.



Supporting bracket

For mounting the cabinet rail when no side panel is available.

Finish: steel, nickel-plated

Cat. No.	558.12.943
----------	------------

Packing: 50 pcs.

Important:

When mounting the cabinet rail on the supporting bracket, we recommend the use of M4 x 10 mm countersunk screws with hexagonal nuts and lock washers (available at commercial stores).

Dimensional data not binding. We reserve the right to alter specifications without notice.

Dimensions in mm
Inches are approximate

Zargen Accessories Pilaster System and Roll Out Shelf Bracket

Zip-R Screws without Nibs for Mounting Hardware

Countersunk head with Phillips Recess
Finish: steel, zinc-plated



Cat. No.	ø x length	
	mm	Inches
010.71.941	3.5 x 12	#6 x 1/2"

Packing: 1000 pcs.

Zip-R Screws without Nibs for Mounting Hardware

Countersunk head with Phillips Recess
Finish: steel, black oxide



Cat. No.	ø x length	
	mm	Inches
010.71.041	3.5 x 12	#6 x 1/2"

Packing: 1000 pcs.

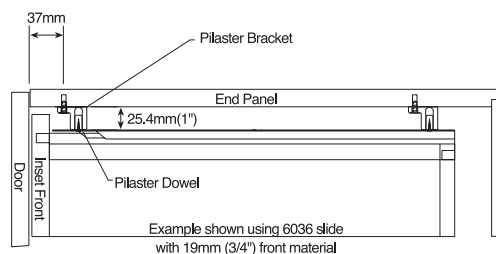


Pilaster Dowel

Finish: plastic, black

Cat. No. 558.25.300

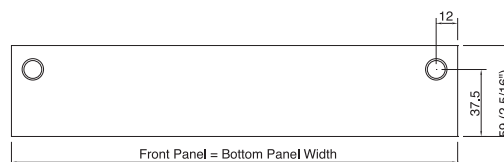
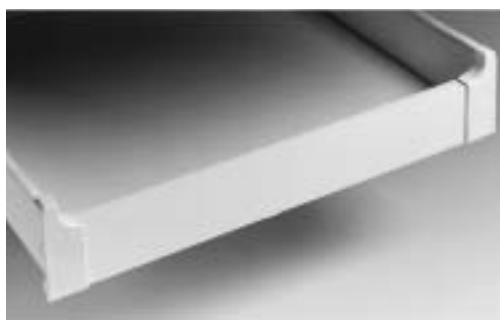
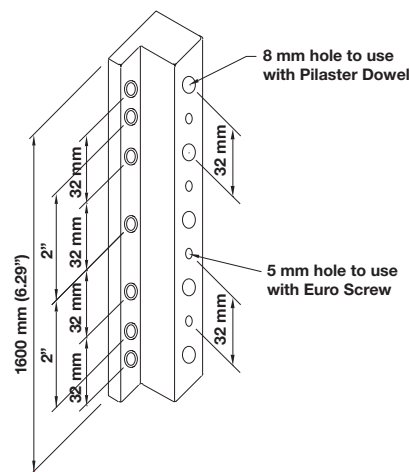
Packing: 100 pcs.



Pilaster Side Mounting Bracket

Cat. No. 558.25.910

Packing: 200 pcs.



Roll Out Shelf Bracket

Description	Packing Qty.	Cat. No.
Roll out shelf bracket,6036/D1	1 set	558.25.750
Roll out shelf bracket,6026/E1	1 set	558.25.740

Dimensional data not binding.
We reserve the right to alter specifications without notice.

G* Nova Drawer Slide System Cabinet Members



- with full extension/roller-bearing guides
- load carrying capacity **45/68 kg** (100/150 lbs.)
- with self-closing action

Finish: steel, galvanized

Slide length	Extension length	Full extension 45 kg	Full extension 68 kg	With airmatic 45 kg
270 mm	251 mm	557.88.902	–	557.88.327
300 mm	281 mm	557.88.903	–	557.88.330
350 mm	331 mm	557.88.904	–	557.88.335
400 mm	381 mm	557.88.905	557.89.905	557.88.340
450 mm	431 mm	557.88.906	557.89.906	557.88.345
500 mm	481 mm	557.88.907	557.89.907	557.88.350
550 mm	531 mm	557.88.908	557.89.908	557.88.355
600 mm	581 mm	557.88.909	557.89.909	557.88.360

Packing: 10 pairs

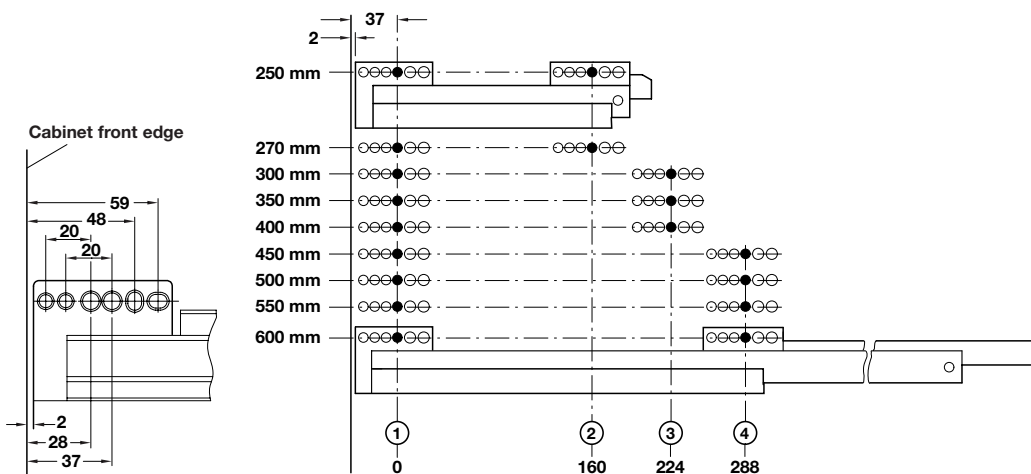
Ordering Example:
To get 10 pairs of Nova
Drawer Systems:

- 10 pairs - 557.89.906
(Cabinet member)
- 10 pairs - 557.85.206
(Drawer member -
see page **98**)
- 10 sets - 557.99.230
(Installation hooks -
see page **102**)

Optional:

- 10 sets - 557.99.000
(Airmatic mechanism -
see page **103**)

- Required internal cabinet depth
= slide length plus 3 mm
(for inner drawers plus 23 mm)
- Thickness of bottom and rear
panel 16 mm
- Bottom width = internal cabinet
width minus 58+0.5 mm
- Bottom length = slide length
minus 19 mm



Dimensional data not binding.
We reserve the right to alter
specifications without notice.

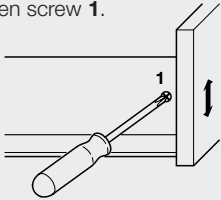
Dimensions in mm
Inches are approximate

Advantages

- quick mounting of front panels
- rear panel dowel is generally pre-assembled
- with integral vertical adjustment
- no grooving of base and rear panel required
- base assembly using claws or for screw-mounting
- tolerance compensation on the left, ± 1 mm

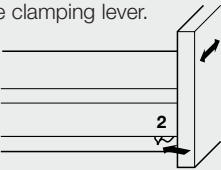
1. Vertical adjustment:

slightly loosen screw **1** and position front panel at the required height; tolerance adjustment ± 2 mm. Retighten screw **1**.



2. Lateral adjustment:

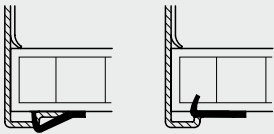
push clamping lever **2** slightly to the back, lift front panel slightly and adjust over the ribbing, tolerance adjustment ± 1.5 mm. Release clamping lever.



3. Inclination adjustment:

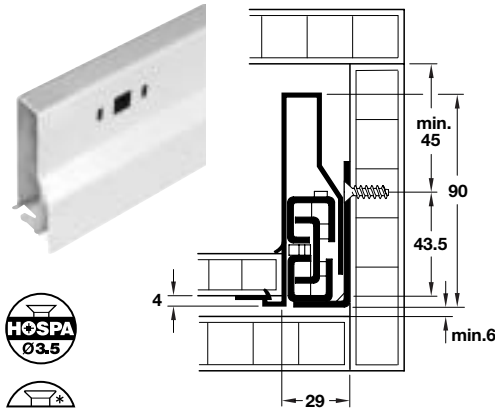
by ± 1 degree via the adjustable railing.

Base attachment



before press-fitting

after press-fitting

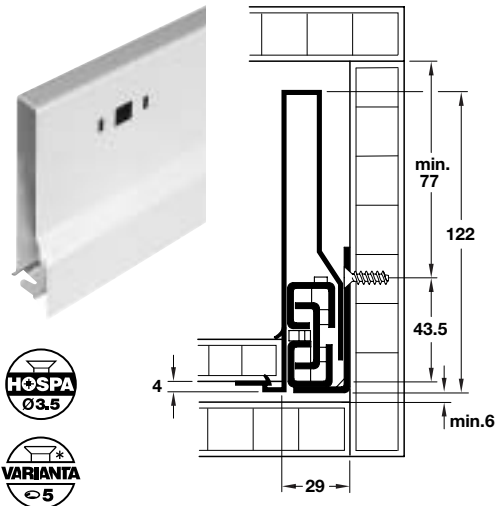


Hollow chamber drawer – 90 mm

Finish: steel

Rail length	Extension length	Cat. No.	
		White RAL 9010	Metallic RAL 9006
270 mm	251 mm	557.84.727	557.84.202
300 mm	281 mm	557.84.730	557.84.203
350 mm	331 mm	557.84.735	557.84.204
400 mm	381 mm	557.84.740	557.84.205
450 mm	431 mm	557.84.745	557.84.206
500 mm	481 mm	557.84.750	557.84.207
550 mm	531 mm	557.84.755	557.84.208
600 mm	581 mm	557.84.760	557.84.209

Packing: 10 pairs

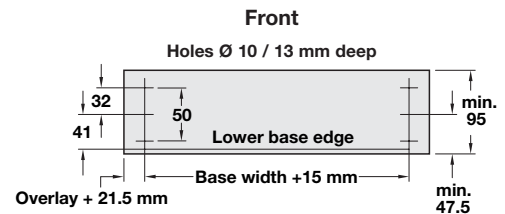
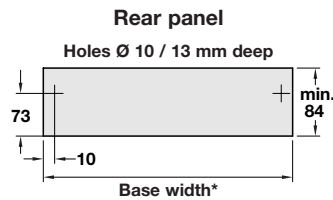


Hollow chamber drawer – 122 mm

Finish: steel

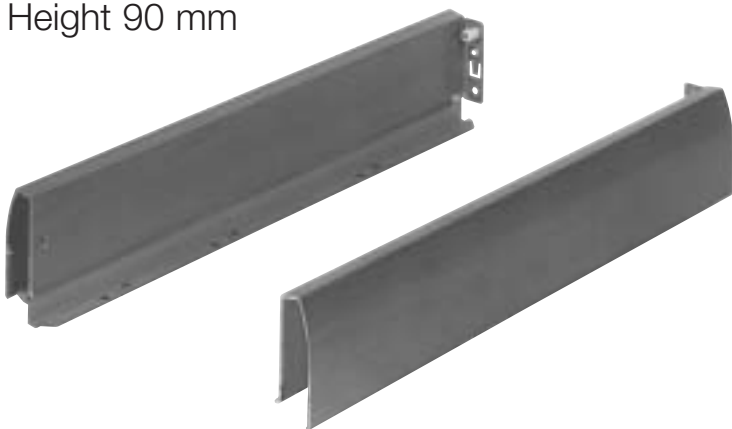
Rail length	Extension length	Cat. No.	
		White RAL 9010	Metallic RAL 9006
400 mm	381 mm	557.85.740	557.85.205
450 mm	431 mm	557.85.745	557.85.206
500 mm	481 mm	557.85.750	557.85.207
550 mm	531 mm	557.85.755	557.85.208
600 mm	581 mm	557.85.760	557.85.209

Packing: 1 pair



G* Nova Deluxe Drawer Members

Height 90 mm

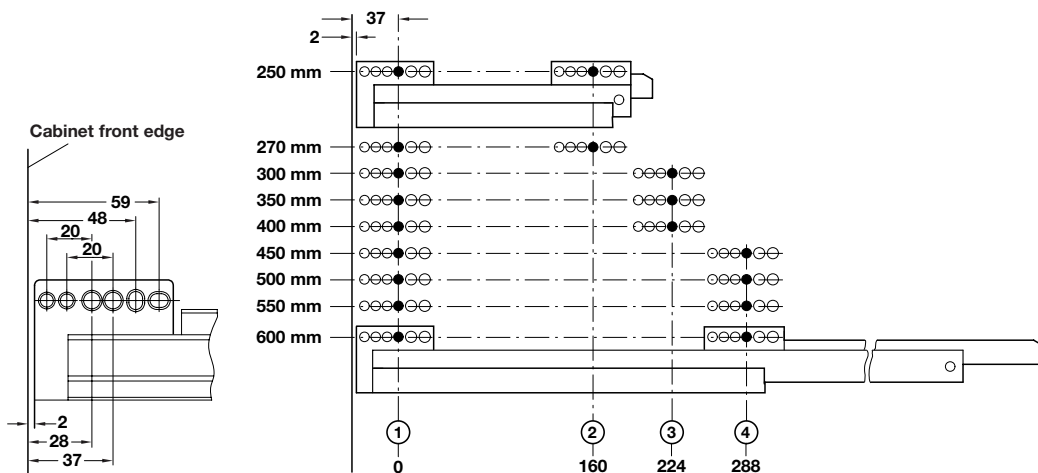
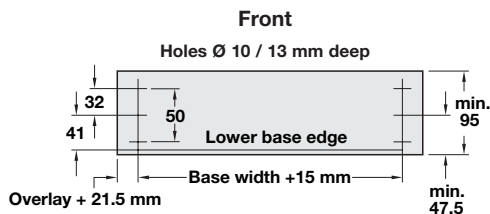
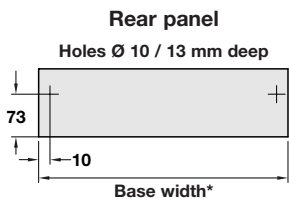
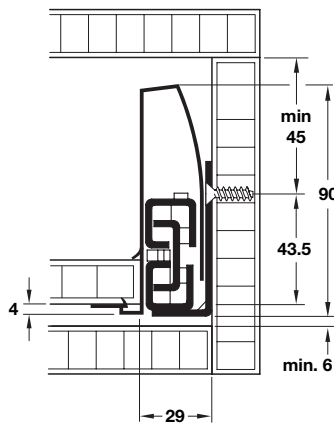


Hollow chamber drawer – 90 mm

Finish: steel

Length	Extension length	metallic
270 mm	251 mm	557.84.427
300 mm	281 mm	557.84.430
350 mm	331 mm	557.84.435
400 mm	381 mm	557.84.440
450 mm	431 mm	557.84.445
500 mm	481 mm	557.84.450
550 mm	531 mm	557.84.455
600 mm	581 mm	557.84.460

Packing: 10 pairs

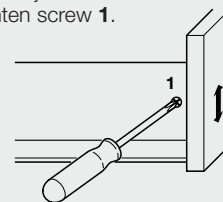


Advantages

- rapid mounting of front panel
- rear panel dowel is generally pre-assembled
- with integrated vertical adjustment
- no grooving of base and rear panel required
- base assembly using claws or screw-mounting
- tolerance compensation on the left ± 1 mm

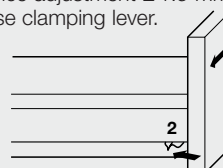
1. Vertical adjustment:

slightly loosen screw **1** and position front panel at the required height, tolerance adjustment ± 2 mm. Retighten screw **1**.



2. Lateral adjustment:

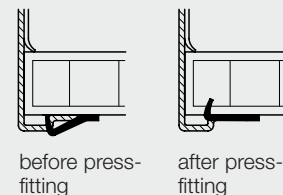
push clamp lever **2** slightly to the back, lift front panel slightly and adjust over the ribbing, tolerance adjustment ± 1.5 mm. Release clamping lever.



3. Inclination adjustment:

by ± 1 degree via the adjustable rail.

Base attachment



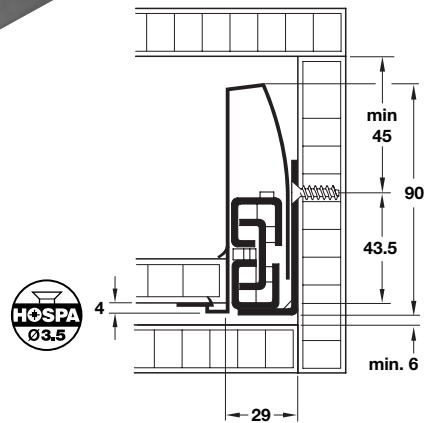
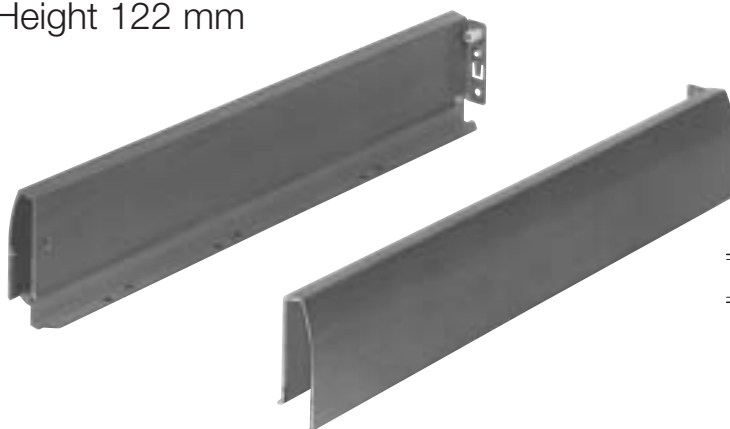
- Required internal cabinet depth = slide length plus 3 mm (for inner drawers plus 23 mm)
- Thickness of bottom and rear panel 16 mm
- Bottom width = internal cabinet width minus $58+0.5$ mm
- Bottom length = slide length minus 19 mm

Dimensional data not binding. We reserve the right to alter specifications without notice.

Height 122 mm

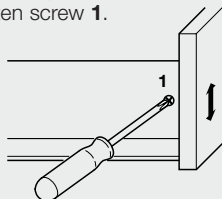
Advantages

- rapid mounting of front panel
- rear panel dowel is generally pre-assembled
- with integrated vertical adjustment
- no grooving of base and rear panel required
- base assembly using claws or screw-mounting
- tolerance compensation on the left ± 1 mm



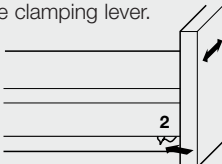
1. Vertical adjustment:

slightly loosen screw **1** and position front panel at the required height, tolerance adjustment ± 2 mm. Retighten screw **1**.



2. Lateral adjustment:

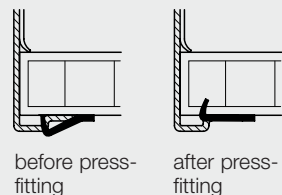
push clamp lever **2** slightly to the back, lift front panel slightly and adjust over the ribbing, tolerance adjustment ± 1.5 mm. Release clamping lever.



3. Inclination adjustment:

By ± 1 degree via the adjustable rail.

Base attachment

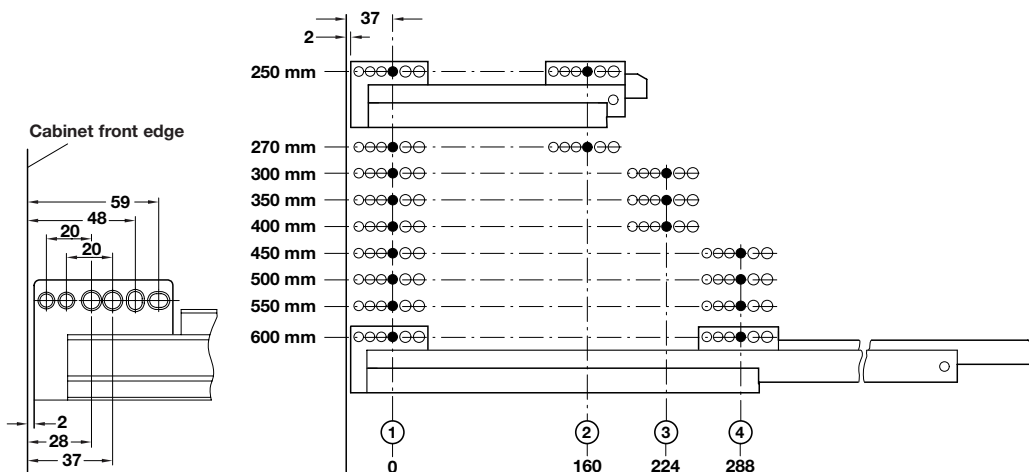
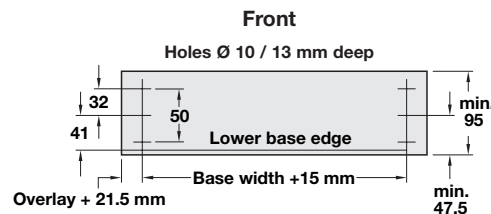
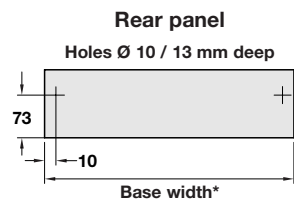


Hollow chamber drawer – 122 mm

Finish: steel

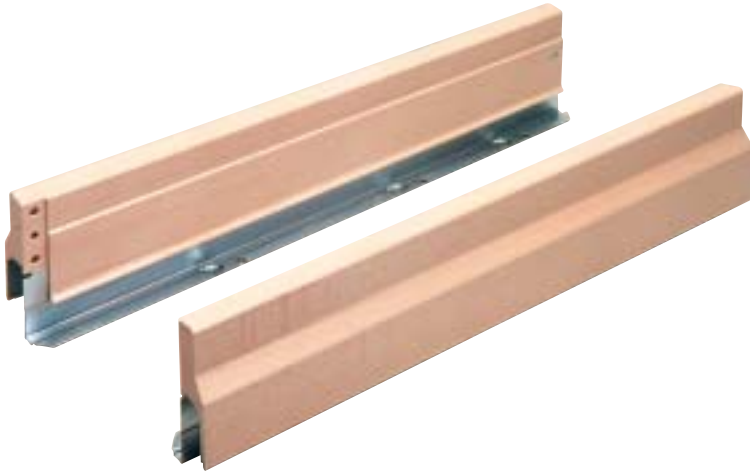
Length	Extension length	metallic
400 mm	381 mm	557.85.140
450 mm	431 mm	557.85.145
500 mm	481 mm	557.85.150
550 mm	531 mm	557.85.155
600 mm	581 mm	557.85.160

Packing: 10 pairs



Dimensional data not binding. We reserve the right to alter specifications without notice.

G* Nova Classic Beech Drawer Members



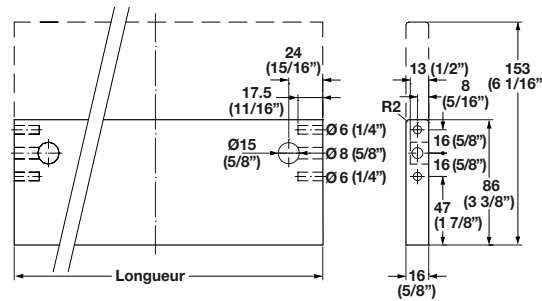
- Easy back panel mounting using minifix and dowel pins.
- Attractive alternative to metal slides.
- Stylish profile for a soft look.
- Minifix back panel connector included.

Drawer Member

Finish: wood, solid beech

Length	Cat. No.
300 mm	553.21.330
350 mm	553.21.335
400 mm	553.21.340
450 mm	553.21.345
500 mm	553.21.350
550 mm	553.21.355
600 mm	553.21.360

Packing: 1 pc.



Back Panel

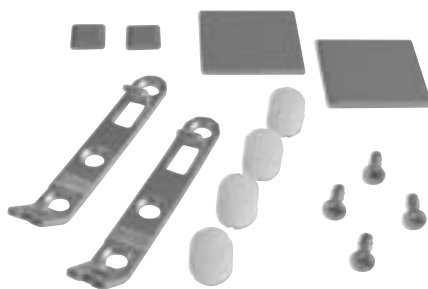
Finish: wood, solid beech

Length	Cat. No.
19/600 mm	553.23.315
19/1200 mm	553.23.319

Packing: 1 pc.

Dimensional data not binding.
We reserve the right to alter specifications without notice.

G* Mounting Hardware for Nova



Installation Hook Set for NOVA Classic Drawer Members

Color	Height 90 and 122 mm
Metallic	557.99.230
White	557.99.730
Consists of:	2 x screw-on installation hooks 4 x dowels 10 mm 4 x screws 2 x u cover caps 2 x side cover caps

Packing: 10 sets

Individual Components

Hooks	Height 90 and 122 mm
Screw-on	557.99.910
with dowels	557.99.911

Packing: 100 pcs.

Cover caps	White	Metallic
Side Cover Cap - Classic	557.99.740	557.99.240
U-Cover Cap	557.99.750	557.99.250

Packing: 50 pcs.

Installation Hook Set for NOVA Deluxe Drawer Members

Color	Height 90 and 122 mm
Metallic	557.99.950
Consists of:	2 x screw-on installation hooks 4 x screws 2 x u-cover caps 2 x side cover caps

Packing: 1 set

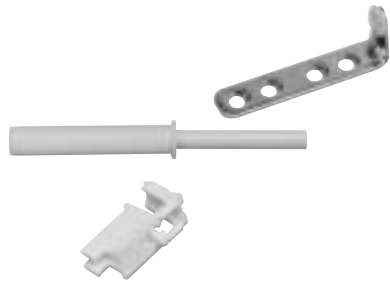
Individual Components

Hooks	Height 90 and 122 mm
Screw-on	557.99.910
with dowels	557.99.911

Packing: 100 pcs.

Cover caps	Color	Cat. No.	Packing:
Side Cover Cap Deluxe	Anthracite	557.99.930	1000 pcs.
U-Cover Cap	Metallic	557.99.250	50 pcs.
U-Cover Cap	White	557.99.750	50 pcs.

Airmatic for Nova Drawer System



Universal Airmatic Kit

Cat. No.	557.99.000
----------	------------

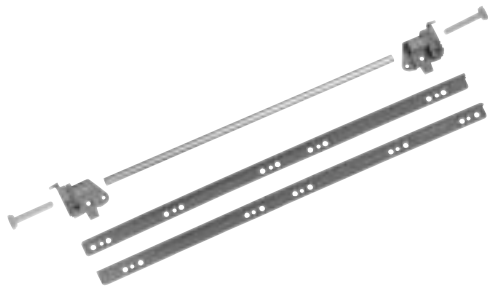
Packing: 10 sets

For each drawer you will need 1 set.

Each set consists of:

- 2 pcs. Airmatic-element
- 2 pcs. holding device
- 2 pcs. universal stop plate (left or right identical) (for all lengths)
- Mounting instructions

Nova Side Stabilizing Device



Gliding Channel Metallic

Finish: plastic, grey

Slide Length	Cat. No.
500 mm	557.99.581
550 mm	557.99.582
600 mm	557.99.583

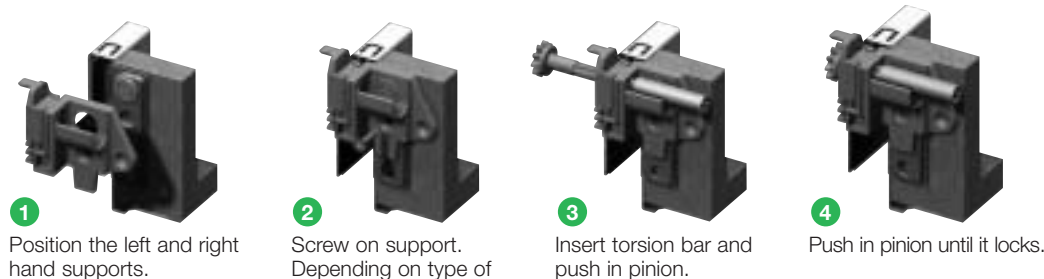
Packing: 10 sets

Torsion Bar Set, consists of Torsion Bar, 2 Supports & 2 Pinions

Finish: steel, plastic, metallic

For Width	Cat. No.
900 mm	557.99.382
1200 mm	557.99.385
1500 mm	557.99.386

Packing: 10 sets



1 Position the left and right hand supports.

2 Screw on support. Depending on type of back panel, use either
for wood: chipboard screw Ø 4.2 x 20 mm
for steel: sheet metal screw Ø4.8 x 13 mm.

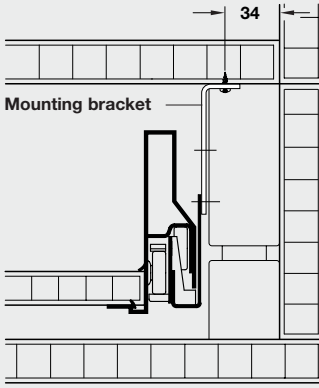
3 Insert torsion bar and push in pinion.

4 Push in pinion until it locks.



Dimensional data not binding. We reserve the right to alter specifications without notice.

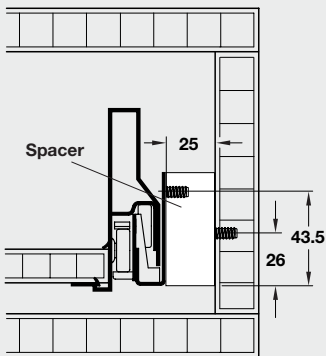
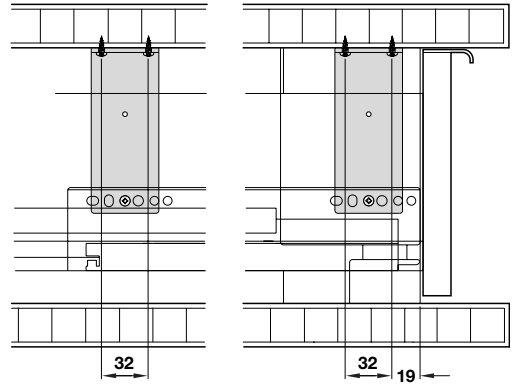
G* Nova Drawer Slide Systems Accessories



Mounting bracket
for mounting Nova
panel rails for base drawers
Finish: steel, galvanized

Cat. No. 557.99.900

Packing: 20 pcs.
(incl. mounting screws for connecting
the mounting bracket to the Nova panel rail)

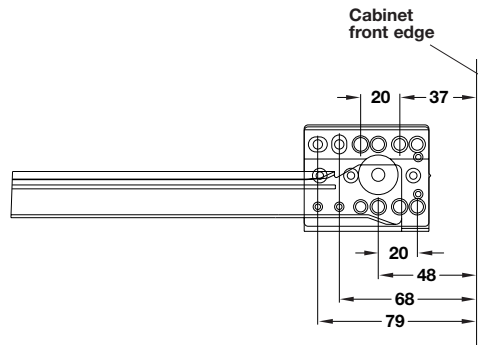


Spacer
for internal drawers to allow
for the door offset
• hole pattern suitable for all
Nova slide systems
• can be used on left or right

Finish: plastic, white

Cat. No. 557.99.710

Packing: 100 pcs.



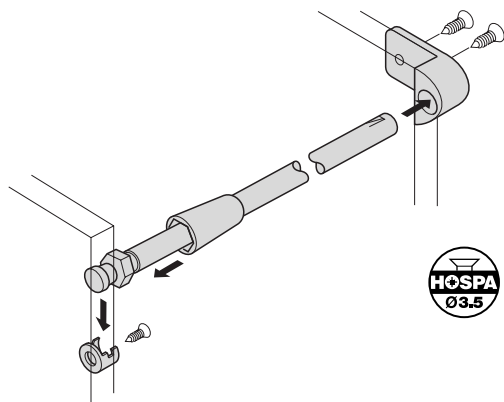
Drawer Front Connector – 15 mm

Finish: Cam and connecting bolt: steel, zinc-plated
Dowel: nylon, white

Cat. No. 558.20.795

Packing: 100 pcs.

G* Nova Drawer Slide System Accessories

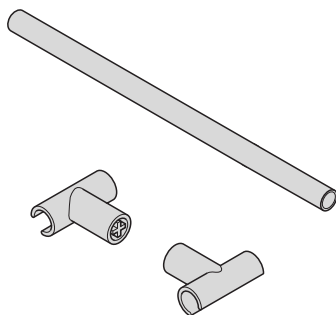


Side Railing Set

- consisting of:
 2 pcs. round tube: steel, metallic
 2 pcs. cover sleeves: plastic, grey RAL 7016
 2 pcs. front panel holder for screw-mounting: plastic, white
 2 pcs. back clips: plastic, grey RAL 7016

Frame length	Railing length	Cat. No.
300 mm	276 mm	558.02.930
350 mm	326 mm	558.02.935
400 mm	376 mm	558.02.940
450 mm	426 mm	558.02.945
500 mm	476 mm	558.02.950
550 mm	526 mm	558.02.955
600 mm	576 mm	558.02.960

Packing: 10 sets

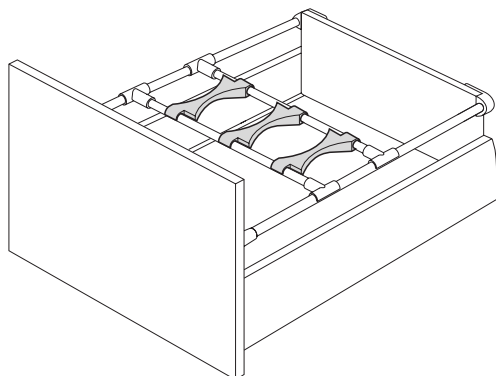
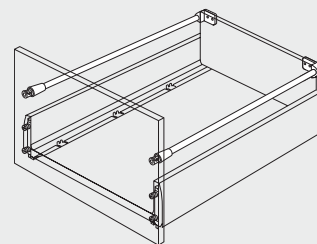


Lateral Railing – partition holders included

suitable for 16 – 19 mm side panel thickness
 Finish: steel, metallic

Railing length	Cat. No.
199 mm	558.01.930
249 mm	558.01.935
299 mm	558.01.940
349 mm	558.01.945
399 mm	558.01.950
449 mm	558.01.955
499 mm	558.01.960
899 mm	558.01.999

Packing: 10 sets

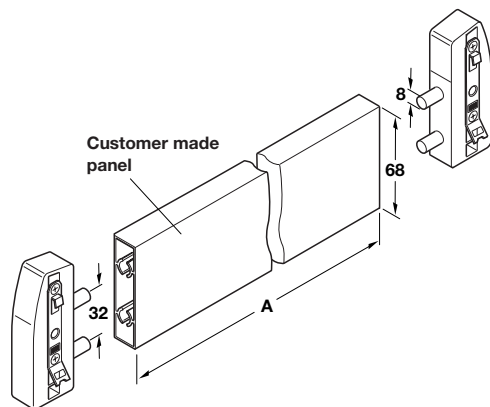
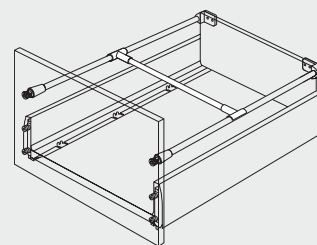


Bottle Holder

for clipping on to the lateral railing
 Finish: plastic, grey RAL 7016

Cat. No.	558.01.502
----------	------------

Packing: 20 pcs.



Front Panel Holder, 68 mm

Finish: plastic, grey

Cat. No.	558.04.599
----------	------------

Packing: 50 pcs. (25 LH and 25 RH)

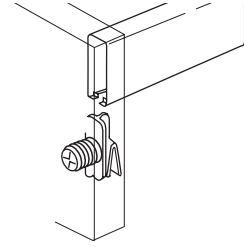
Dimensional data not binding.
 We reserve the right to alter specifications without notice.

Front clip

Finish: plastic

	white RAL 9010	metallic RAL 9006
screw-on	558.17.706	558.25.900
doweled	558.17.411	–

Packing: 20 pcs.

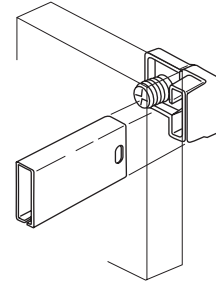


Rear clip

Finish: plastic

	white RAL 9010	metallic RAL 9006
screw-on	558.17.724	558.17.224
doweled	558.17.710	–

Packing: 20 pcs.

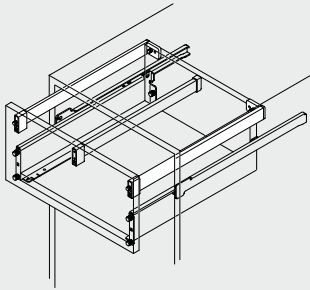
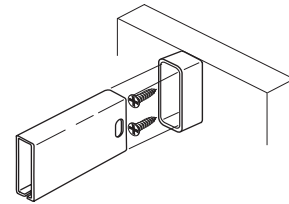


Back partition clip

Finish: plastic

	white RAL 9010	metallic RAL 9006
screw-on	558.17.779	558.17.279

Packing: 20 pcs.



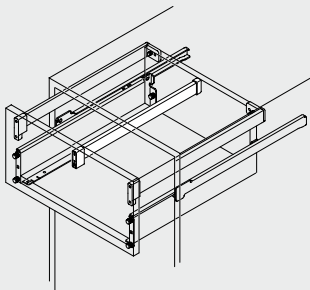
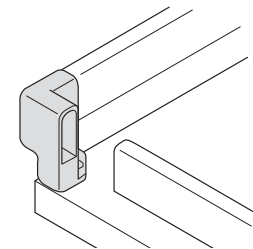
Press-fit railing holder set for
Ø 10 mm holes, 12 mm deep

Railing holder, single
for screw-mounting on the shelf
for side and lateral railings

Finish: plastic

	white RAL 9010	metallic RAL 9006
right	558.17.742	558.17.242
left	558.17.751	558.17.251

Packing: 20 pcs.

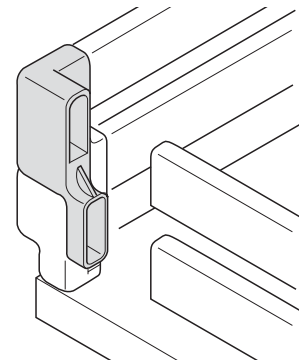


Railing holder, double

Finish: plastic

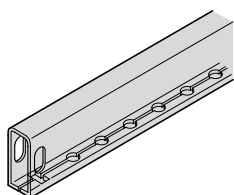
white RAL 9010	558.17.760
metallic RAL 9006	558.17.260

Packing: 20 pcs.



Dimensional data not binding.
We reserve the right to alter
specifications without notice.

G*Zargen and G*Nova Drawer Systems Accessories

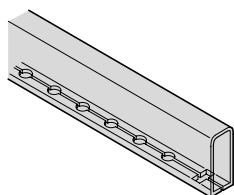


Side railing

Finish: steel, plastic-coated

Actual Length	Suitable for slide	white RAL 9010	metallic RAL 9006
265 mm	270 mm	558.07.727	558.07.227
295 mm	300 mm	558.07.730	558.07.230
345 mm	350 mm	558.07.735	558.07.235
395 mm	400 mm	558.07.740	558.07.240
435 mm	440 mm	558.15.739	558.15.239
445 mm	450 mm	558.07.745	558.07.245
465 mm	470 mm	558.15.748	558.15.248
495 mm	500 mm	558.07.750	558.07.250
505 mm	510 mm	558.15.757	558.15.257
545 mm	550 mm	558.07.755	558.07.255
595 mm	600 mm	558.07.760	558.07.260

Packing: 20 pcs.

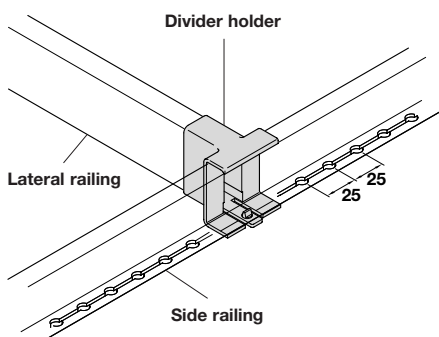


Clips

Finish: plastic

		white	metallic
Front clip	screw-on	558.17.706	558.25.900
	press-in	558.17.411	—
Rear clip	screw-on	558.17.724	558.25.950
	press-in	558.17.710	558.25.952
Back partition clip	screw-on	558.17.779	558.17.279

Packing: 20 pcs.



Lateral railing, length 1000 mm

Finish: steel, powder coated

	white RAL 9010	metallic RAL 9006
Cat. No.	558.16.780	558.16.280

Packing: 1 pc.

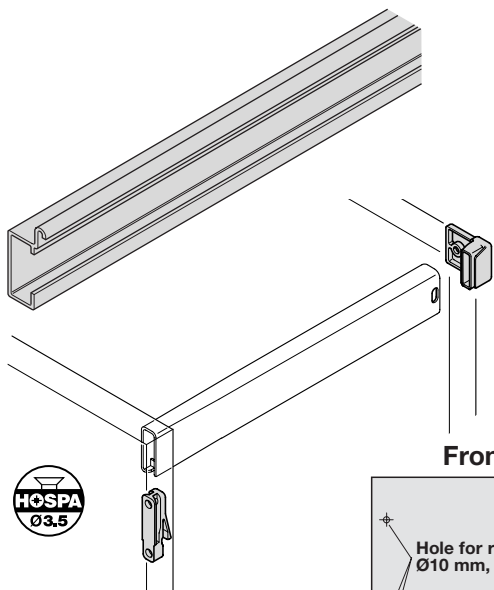
Divider holder

for attaching to the lateral railing

Finish: plastic

	white RAL 9010	metallic RAL 9006
Cat. No.	558.17.733	558.17.233

Packing: 20 pcs.



Office railing, length 1100 mm

for suspension filing extensions, to be clipped onto the side railing 558.15. (please order separately)

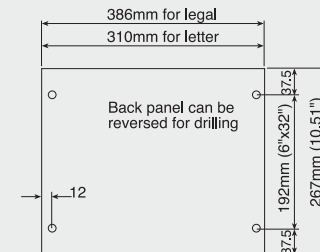
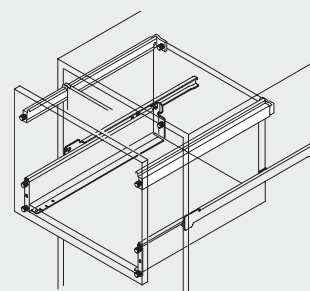
Finish: plastic, white

	white RAL 9010	metallic RAL 9006
Cat. No.	558.15.793	558.15.293

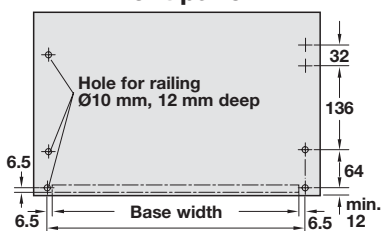
Packing: 20 pcs.

Cutting dimensions for front and rear panels

when using the front clip railing holder.

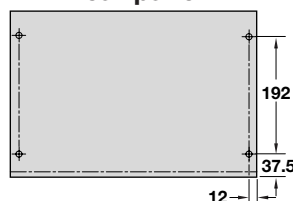


Front panel



Drilling distance = floor width + 13

Rear panel



Dimensions in mm
Inches are approximate



Dimensional data not binding. We reserve the right to alter specifications without notice.



G* Metro Elite Drawer Slide System Cabinet Member

- Two slides with precision roller carriage system.
- Fully concealed undermount carriage roller slide offering full extension capabilities.
- The Sub-Front does not have to be notched out.
- Can be used for face frame cabinetry with the addition of straight or V-notch rear brackets.

Airmatic™ Shock Absorber



- with full extension/roller-bearing slides
 - load carrying capacity **45 kg (100 lbs.)**
 - with self-closing action
 - Airmatic soft-close shock absorber system provided
- Finish: steel, galvanized

Slide length	Extension length	16 mm	19 mm
250 mm	240 mm	421.18.925	421.19.925
300 mm	290 mm	421.18.930	421.19.930
350 mm	340 mm	421.18.935	421.19.935
400 mm	390 mm	421.18.940	421.19.940
450 mm	440 mm	421.18.945	421.19.945
500 mm	490 mm	421.18.950	421.19.950
550 mm	540 mm	421.18.956	421.19.956

Packing: 5 pairs

Drawers may be easily removed as follows:



1. Reach below drawer on both sides and squeeze tabs on front locking device to release slide. Pull straight out to remove drawer box.



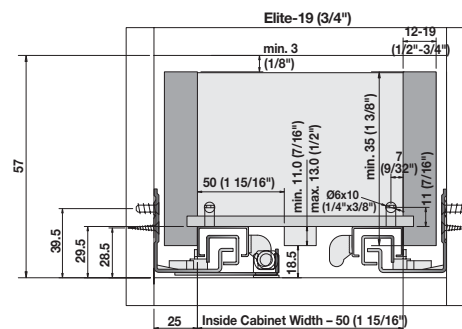
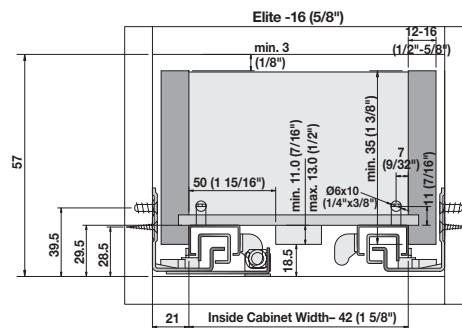
2. To install drawer box, place on runners and close drawer to engage front locking device.



3. Height Adjustment:
Slide tab to rear to achieve height adjustment (max. 1.5 mm (1/16")).

Dimensional data not binding. We reserve the right to alter specifications without notice.

Drawer Dimension Instructions



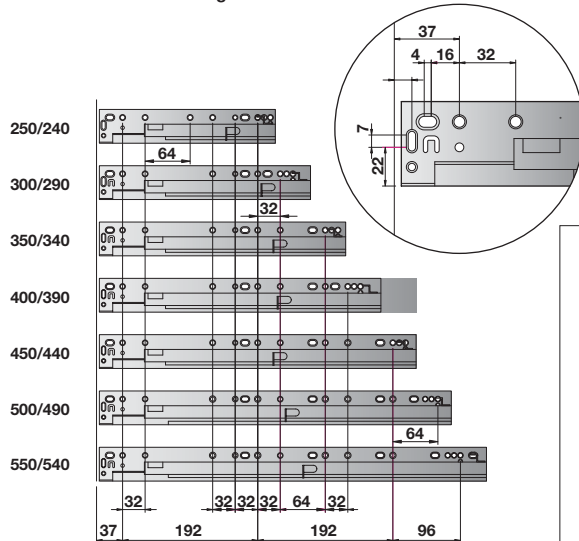
Front Locking Device for Metro Elite

Finish: plastic

Cat. No. 421.19.011

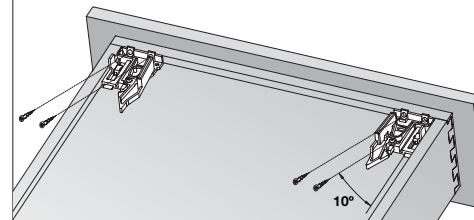
Packing: 5 sets

Cabinet Member Fastening Positions



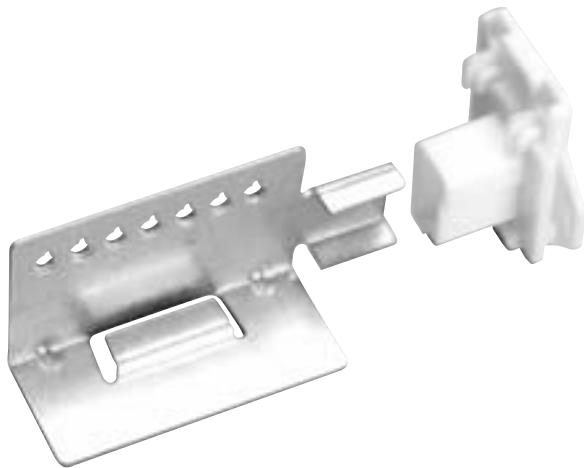
Front Locking Device attachment

To position the front locking device, place locking device in top corners of drawer box. Pre-drill screw holes using pilot drill at a low angle of 10°. Attach with #6 x 1/2" screws. The mounting technique is the same for all material thickness (12 mm - 19 mm).



Dimensions in mm
Inches are approximate

G* Brackets for Metro Elite



- Rear mounting brackets for face frame cabinetry.
- Full range of brackets to meet manufacturing needs.
- Dowelled brackets ensure easy insertion into pre-drilled cabinet backs.
- Allows for self-alignment of double captive slides.
- Metal bracket position can be fixed with a Euro screw.

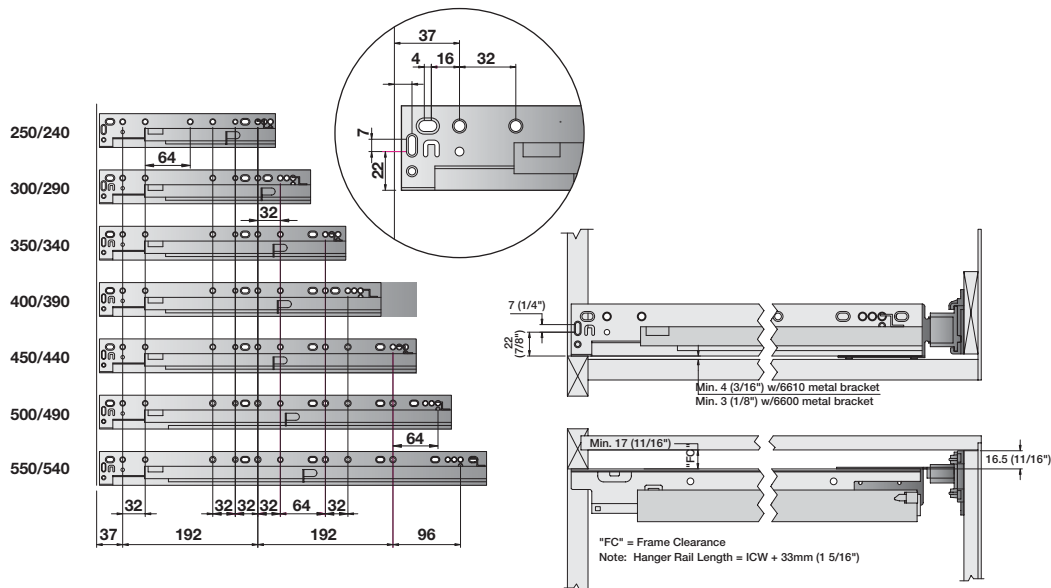
Face Frame Bracket Set* for Metro Elite

Cat. No.	421.19.000
----------	------------

Packing: 5 sets

*Set includes one each:

- Front Locking Device 7523 L/R with 4 x #6 x 1/2 wood screws
- 7523 22 mm Adj. Bracket - LH - screw on
- 7523 22 mm Adj. Bracket - RH - screw on
- Bracket, Rear, Straight 6610 - Metro Elite/Select LH, metal
- Bracket, Rear, Straight 6610 - Metro Elite/Select RH, metal



Dimensional data not binding. We reserve the right to alter specifications without notice.