

Dialock DT Lite



Installation instructions 2



1. Notes on these installation instructions

1.1 Contents and target group of the instructions

It is essential to pay attention to these instructions in order to install the product successfully and safely. Please pay attention to all of the specified installation steps, instructions and notes!

These **installation instructions** are intended for:

- the **operator** of the product,
- the **installer** of the product.

In addition to these **installation instructions**, both groups of people must also have read the **separate operating instructions** before handling the product.

1.2 Obligations of the installer

The installer has the following obligations:

- All notes and specifications in the installation instructions must be complied with. The installation steps must not be deviated from or varied.
- Only the supplied original parts must be installed.
- The installation instructions must be handed to the operator after installation has taken place.

1.3 Obligations of the operator

The operator has the following obligations:

- The installation requirements must be complied with.
- The product may **only** be installed and started up by qualified experts (see Chapter “**1.3 Personnel qualifications**” in the operating instructions).
- The instructions must be kept until the product is disposed of, and handed to the new operator in the event of a change of operator.

2. Installation requirements

2.1 Ambient conditions

In addition to the ambient conditions specified here, the instructions in the chapter entitled “**2.1 Correct purpose of use**” in the operating instructions also apply.

NOTE

The product may be damaged if it is installed under the wrong ambient conditions!

The products must not be installed:

- > on exterior doors,
- > in humid environments,
- > in the vicinity of electromagnetically sensitive devices,
- > in potentially explosive environments.

NOTE

The product can be damaged by water condensing on cold components!

- > Before installation, please ensure that all product components are at ambient temperature!
- > Store products at the installation site for an appropriate period prior to installation.

2.2 Installation conditions

Door leaf

- Possible door leaf thicknesses: 38 - 80 mm,
- Possible door materials: Wood and wooden materials, metal only after prior consultation with Häfele.

Mortise

- The mortise must be present, and must comply with the dimensioned drawing **“Installation requirements”** on **page 6**.

Suitable screw-in cylinder for emergency opening

- The screw-in cylinder for emergency opening is not included in the scope of delivery and must be ordered separately by the operator.
- The size of the screw-in cylinder depends on the door leaf thickness.
- For help in calculating the length, see **“Installation requirements”** on **page 6**.

NOTE

The product may be damaged if the screw-in cylinder is used incorrectly!

The screw-in cylinder is for emergency opening only.

- > Do not use the screw-in cylinder for normal door locking / opening!

3. Check scope of delivery

WARNING

Risk of suffocation from small parts and packing materials!

Screws, small parts and packing materials can be deadly playthings for children.

- > Do not leave the packing materials and the contents lying around carelessly, and keep away from children and babies.
- > Keep children away from the installation site during installation.

- Check completeness and condition of scope of delivery prior to installation.



For overview of scope of delivery, see illustrations starting on page 5.

- If parts are missing or damaged, contact the manufacturer.
- Dispose of packaging materials in accordance with national regulations.

4. Installation

4.1 Safety instructions for installation

WARNING

Risk of fatality due to lack of emergency opening facility!

If the product is installed without an emergency opening facility, it may not be possible to open the door from the outside in the event of fault. If emergencies occur inside the room during the fault, rescue work will be hindered.

- > The operator must ensure that doors to which this product is fitted have an emergency opening facility in the event of faults.
- > Häfele is not liable for damage that is attributable to failure to install an emergency opening facility.

**⚠ WARNING****Risk of fatality due to failures or faults in electromagnetically sensitive devices!**

The electromagnetic radiation of the product can cause faults in sensitive parts (e.g. in medical equipment). The functionality thereof will be adversely affected.

- > Do not mount product close to electromagnetically sensitive devices.
- > Pay attention to the safety instructions for the electromagnetically sensitive devices.
- > If you have any doubts regarding compatibility, please contact the manufacturer.

NOTE**Damage to product due to incorrect installation!**

- > Adhere to installation requirements.
- > Do not jam or damage wires during installation.
- > Never start up and use the product if any wires have been damaged.
- > Always drill holes in the door leaf from both sides to prevent pieces of the door from breaking away.

4.2 Installation description

The installation is described using only pictures.



For step-by-step installation instructions, see picture section starting at page 7.

4.3 Function test

After completing installation, perform a manual function test.

Push the lever handle at the inside of the door:

Correct result:

- Turning the DND thumbturn counter-clockwise makes the deadbolt move out.
- When the interior handle is pressed, the latch and the deadbolt are retracted. The door can be opened.

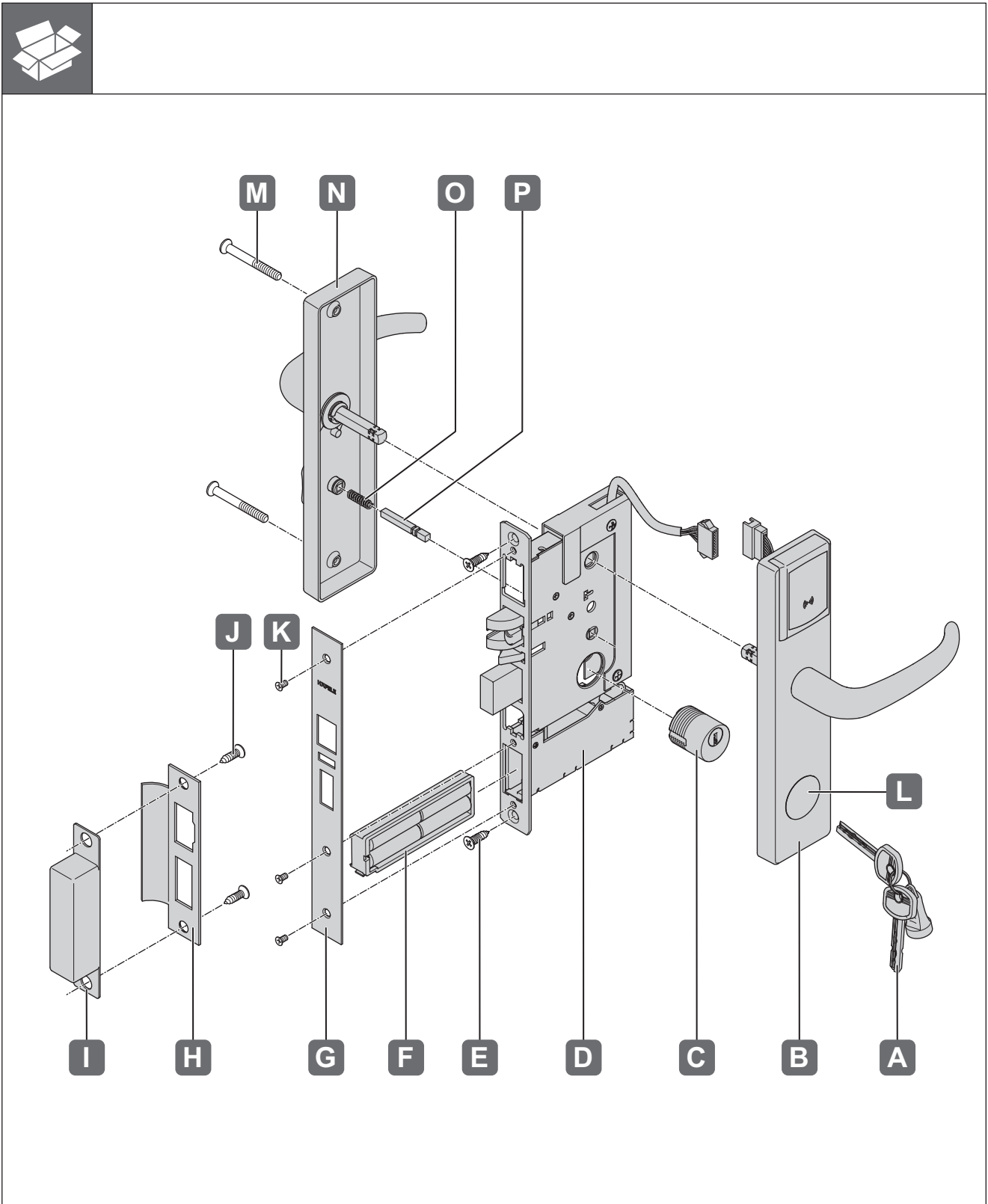
Push the lever handle at the outside of the door:

Correct result:

- The lever handle is blocked. The door can not be opened.

If this is not the case, check the individual installation steps.

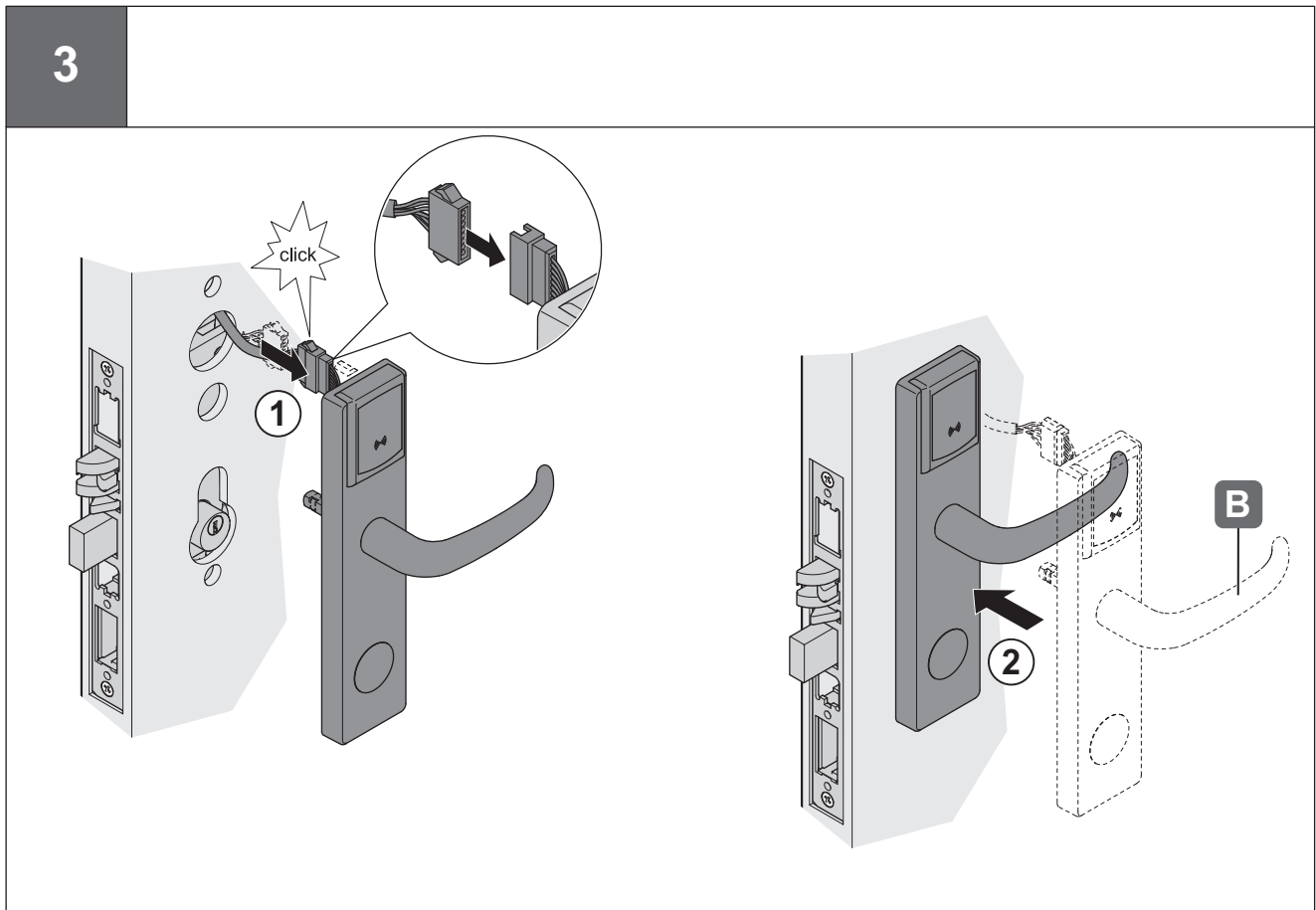
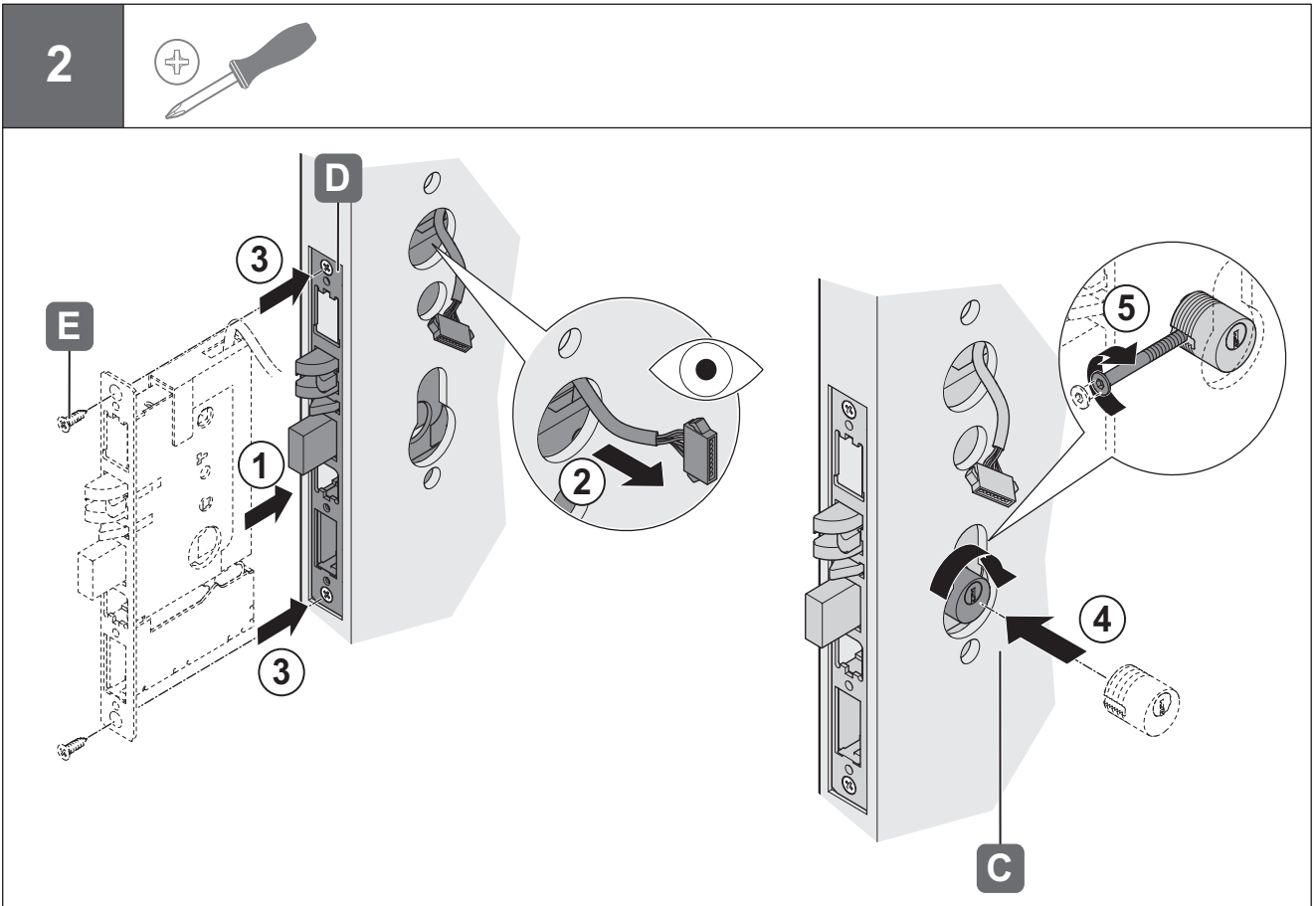
Scope of delivery

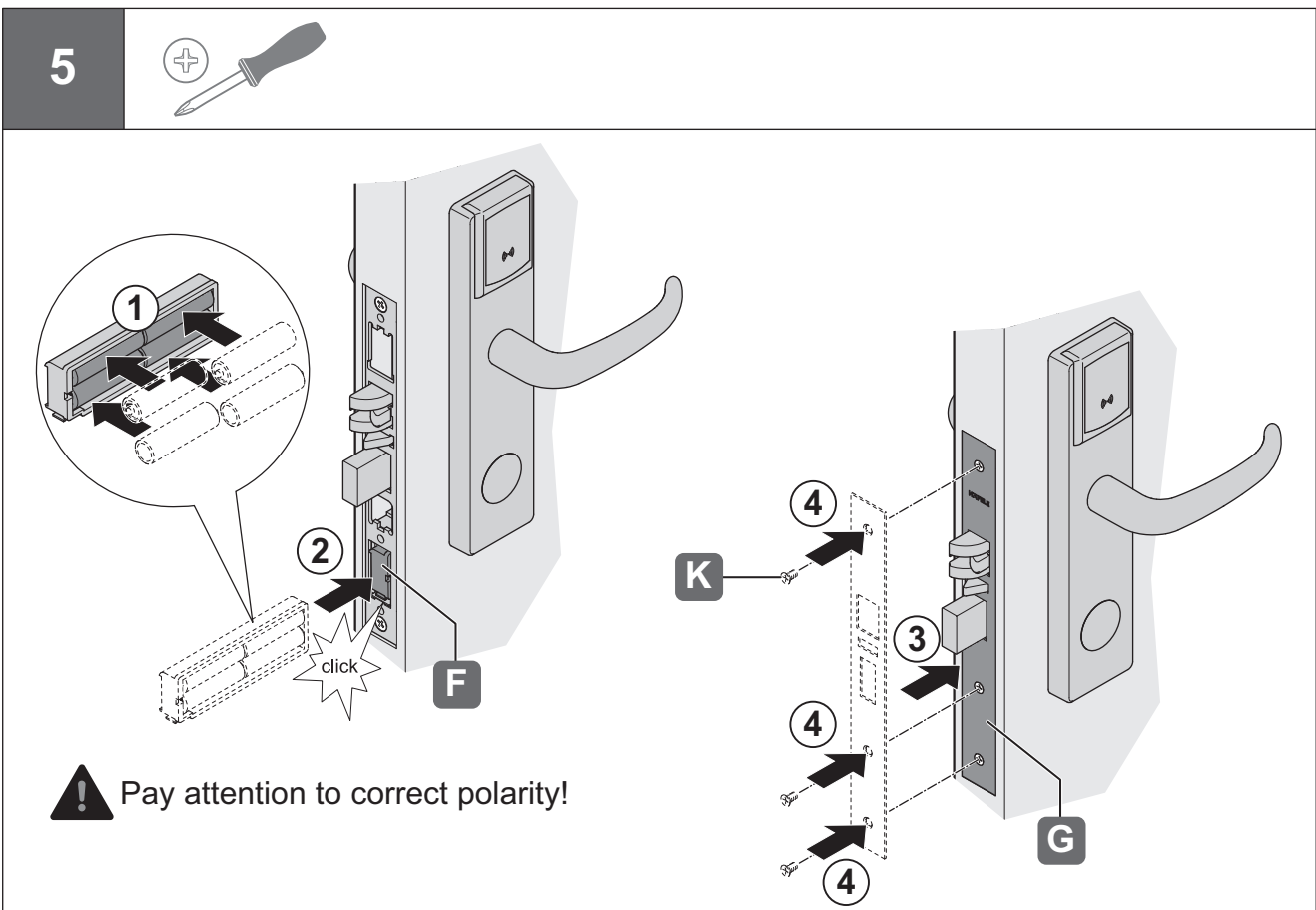
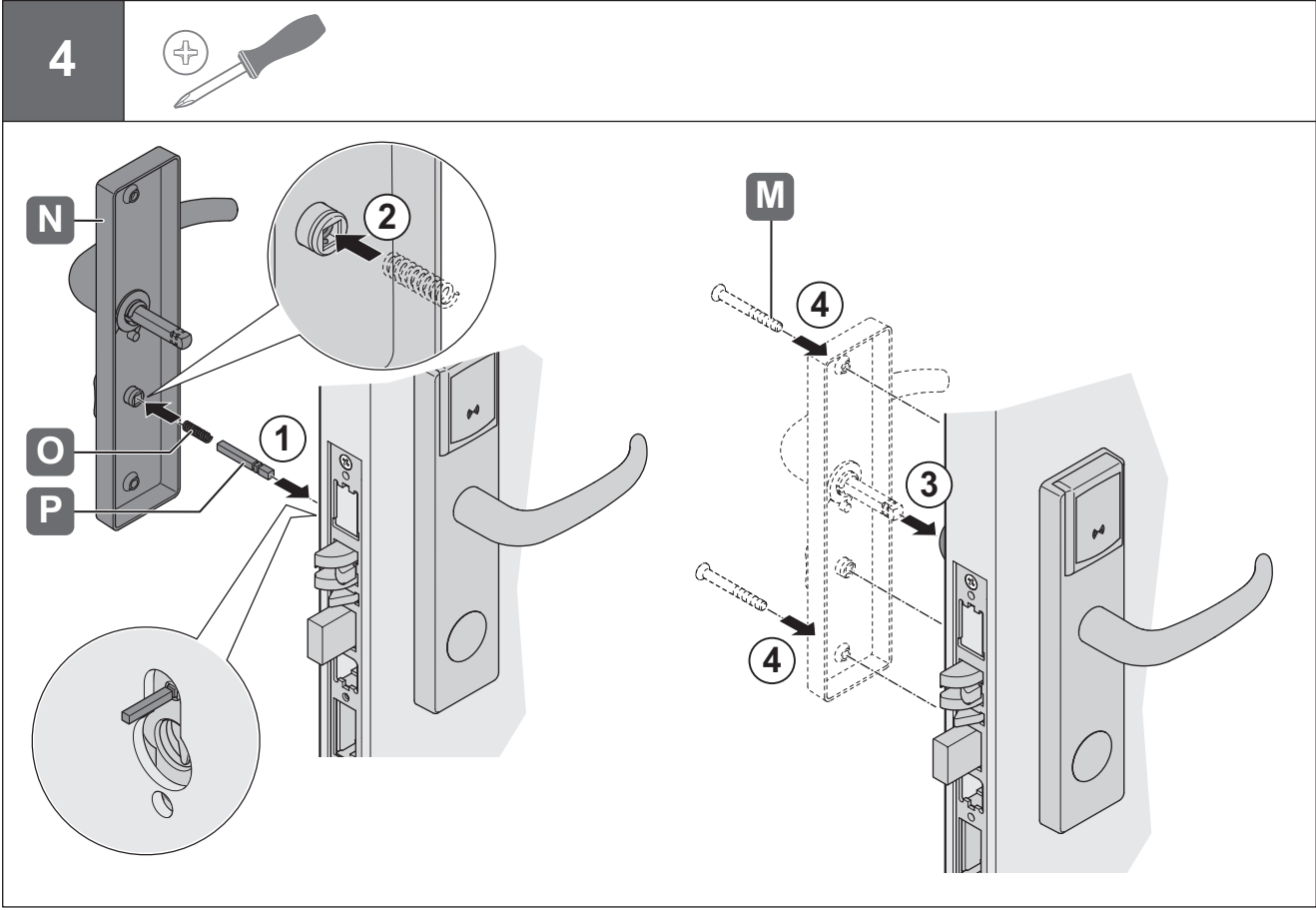


HDE 04.05.2010 Maße in mm – Dimensions in mm – Medidas en mm - Misure in mm



Installation





HDE 04.05.2010 Maße in mm – Dimensions in mm – Mesures en mm – Misure in mm



6

