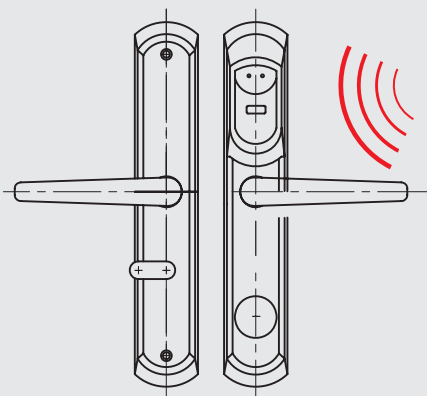


DT Lite
for Hotel and Residential



- Secure
- Simple
- Convenient
- Economical
- Touchless
- Wear-resistant
- Low maintenance
- Can be retrofitted
- Extendable



DT Lite

is one of the electronic identification and locking system from Häfele for secure and simple access organization in your applications.

The benefits of DT Lite can be used to flexibly allocate and block rights for your guests and staff in hotel and user in residential.

DT Lite is easy to install or retrofit. The fact that identification is touchless makes the system wear-resistant and extremely low maintenance.

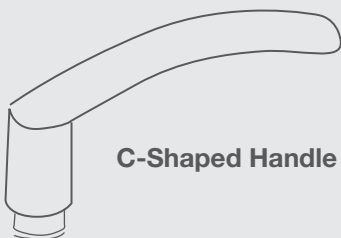
DT Lite

for Hotel and Residential

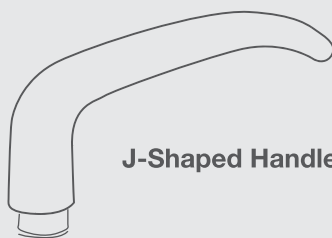
Main Features of DT Lite

- Milfare technology.
- Battery saver mode – lengthen the life of your battery.
- Reading range: 0 – 40 mm.
- Stable reading RFID (Radio Frequency Identification) technology.
- Fast opening process.
- DND function (Do Not Disturb).
- 2 versions: Hotel and Residential (Service Apartments).
- For door thickness 38 – 80 mm.
- 1,000 audit trails, including unlocking by use of the electronic card, emergency unlocking via the use of mechanical keys from outside, and opening the door from inside.
- Battery-Life: at least 10,000 openings.
- Low battery alarm signal.
- Cylinder keys: KA (key alike), KD (key different).
- Individual customer designed front foil is possible.
- Key authorization via Programming and Clearing Key.
- Low power costs AA alkaline batteries can be used for one year.
- Emergency manual key function.
- Alarm function: long beep alarm when the latches of the lock are maliciously operated or the door is not closed properly.
- The lock can be set to unlocking status.
- For wooden door or metal door with door thickness above 38 mm.

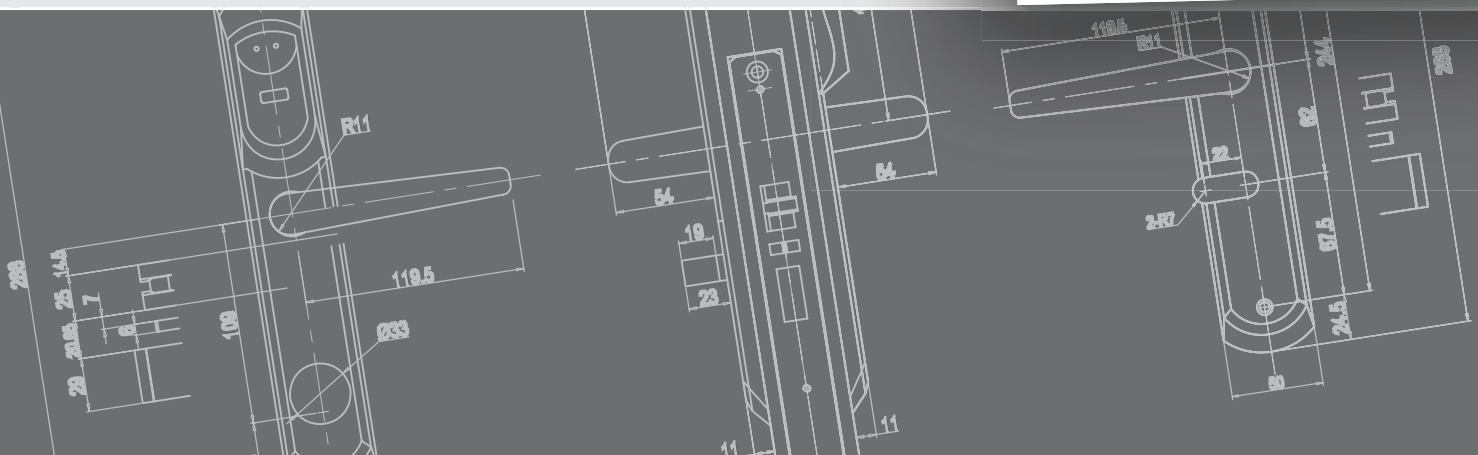
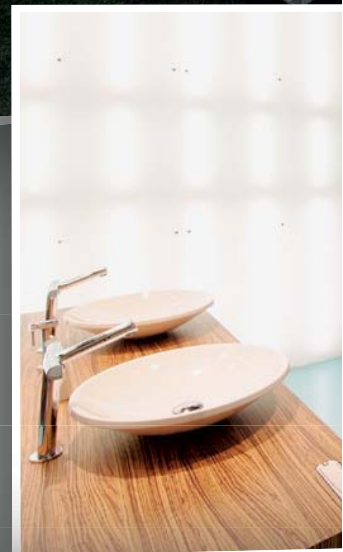
- **4 standard PVD finishes optional**
- **2 standard handle shapes: C and J**

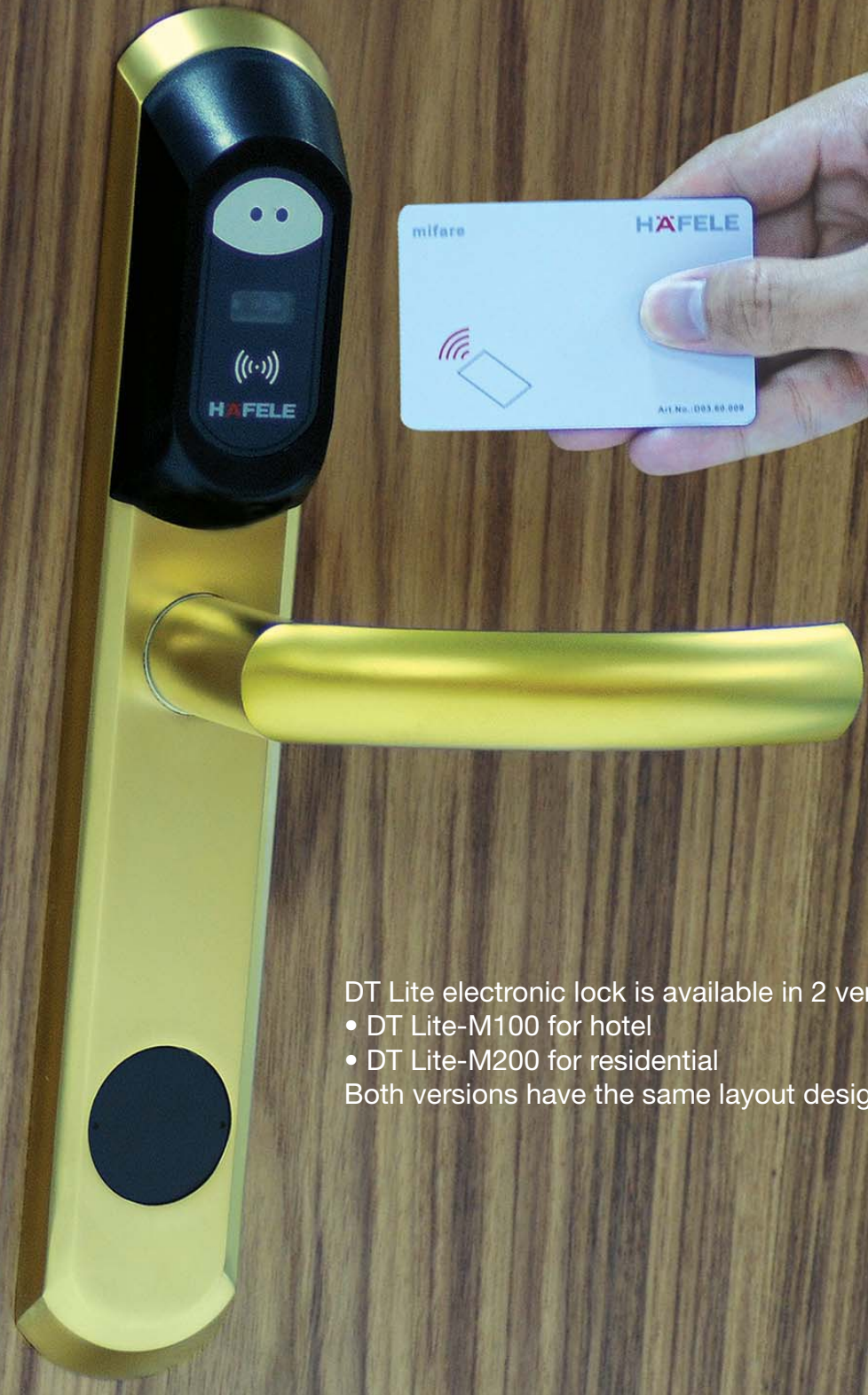


C-Shaped Handle



J-Shaped Handle





DT Lite electronic lock is available in 2 versions:

- DT Lite-M100 for hotel
- DT Lite-M200 for residential

Both versions have the same layout design.



Chrome Plated Polished



Chrome Plated Matt



Brass Polished



Brass Matt

DT Lite for Hotel and Residential

The 360° Project Service for Hotels & Resorts



Solutions for safe



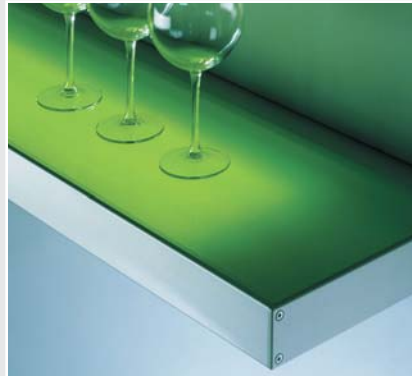
Solutions for conference room



Solutions for reception area and back office



Solutions for restaurant and catering facilities



Solutions for interior lighting



Solutions for minibar room



Solutions for lobby



Solutions for cabinet lighting



Solutions for bathroom



www.hafele.com

Häfele (Thailand) Limited

Häfele Design Studio Bangkok (Head Office)

57 Soi Sukhumvit 64, Sukhumvit Rd.,
Bangchak, Phrakhanong,
Bangkok 10260

Telephone: (02) 741-7171
Fax: (02) 741-7272
E-mail: info@hafele.co.th

Häfele Design Studio Phuket

The Courtyard 90/5 Moo 2,
Chaofa West Road, Vichit, Muang,
Phuket 83000

Telephone: (076) 264-481
Fax: (076) 264-482
E-mail: info@hafele.co.th

Häfele Design Studio Pattaya

140/89 Moo 11,
Nongprue, Banglamung,
Chonburi 20150

Telephone: (038) 332-485
Fax: (038) 332-489
E-mail: info@hafele.co.th

Häfele Design Studio Hua Hin

Index Living Mall
17/139 Soi Mubanborfai,
Hua Hin, Prachuapkhirikhan 77110

Telephone: (032) 547-704
Fax: (032) 547-705
E-mail: info@hafele.co.th