

PLEXIGLAS[®] Acrylic – the perfect partner for Aluminium doors

Plexiglas[®] is the perfect material to replace glass in your aluminium doors. It's lightweight, safe, easy to clean, with a quick turnaround time and most of all – an economical option.



SATINICE SNOW - 68% TRANSLUCENT



SATINICE CRYSTAL - 92% TRANSLUCENT

UP TO 30% SAVING

Plexiglas[®] is a more economical option than glass, with price savings of up to 30%

FAST TURN AROUND

Glass is not kept onsite and is manufactured to order. Sheets of Plexiglas[®] are kept in stock, therefore reducing the manufacturing time to 2-3 days for assembled doors.

SAFER IN THE KITCHEN

Plexiglas is a safer alternative to glass. While having the same effects as frosted glass.

LIGHTER DOOR WEIGHT

Lighter door weight contributes to ease of movement. This becomes apparent when used in overhead cupboards which require assistance with their movement.

EASY CLEANING

The frosted acrylic surface of Plexiglas[®] offers a finish which, unlike glass, will not highlight fingerprints or blemishes on the surface and can be easily wiped over without leaving streaks.

Euro-Cargo – Australia's No.1 selling bin

Now Available with Soft Close Function and a huge 70% capacity

Euro-Cargo waste bins offer a variety of clean waste segregation options, with smooth ball bearing runners, an extra-large capacity and it's hard-wearing, robust design. Making it ideal for high-use areas.

The pull-out construction allows the bins to be hidden from sight but easily accessed, helping maintain the look and cleanliness of the kitchen.



Euro-Cargo Waste Bin

Euro-Cargo Waste Bin with **Self Close** Function

70 litre capacity

Housing	Bins	Cat. No	Price each
silver	plastic, grey	502.73.921	\$290.00

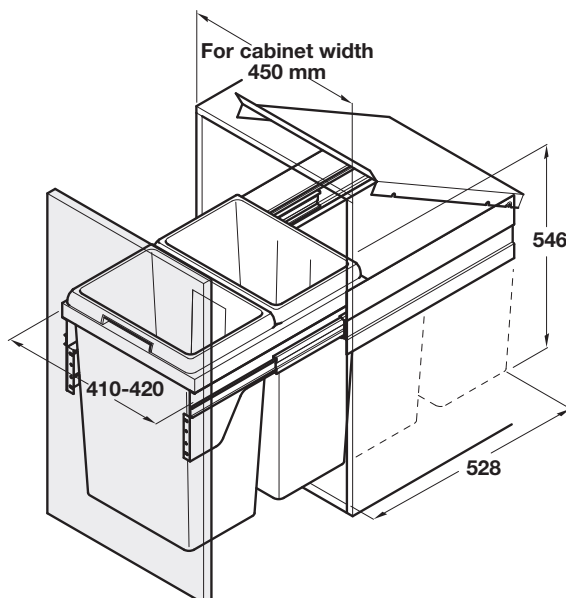
Packing: 1 piece

Euro-Cargo Waste Bin with **Soft-Close** Function

70 litre capacity

Housing	Bins	Cat. No	Price each
silver	plastic, grey	502.73.922	\$320.00

Packing: 1 piece



*Trade Prices only. Prices valid until 30 October 2007 or until stocks last, GST not included.

HÄFELE

visit our website on www.hafele.com for

news • product information • online ordering • stock and price enquiry



Häfele (N.Z.) Limited • 16 Accent Drive, East Tamaki, Auckland • P: (09) 274 2040, F: (09) 274 2041, E: info@hafele.co.nz

Häfele Design Centre • 62 Cook Street, Auckland City, Auckland • P: (09) 274 2530, F: (09) 274 2531, E: architectural@hafele.co.nz

Lower North Island Office • The Wool Store Level 1, 262 Thorndon Quay, Wellington • P: (04) 472 0294, F: (04) 472 0295, E: wellington@hafele.co.nz

South Island Office • 5 Wigram Close, Sockburn, Christchurch • P: (03) 343 8200, F: (03) 343 8201, E: christchurch@hafele.co.nz