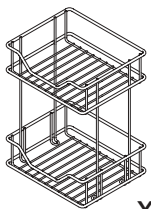
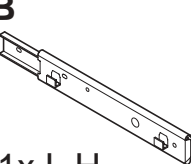
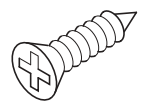
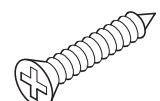
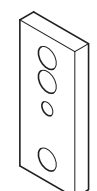
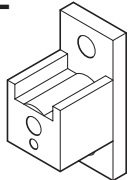
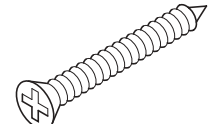
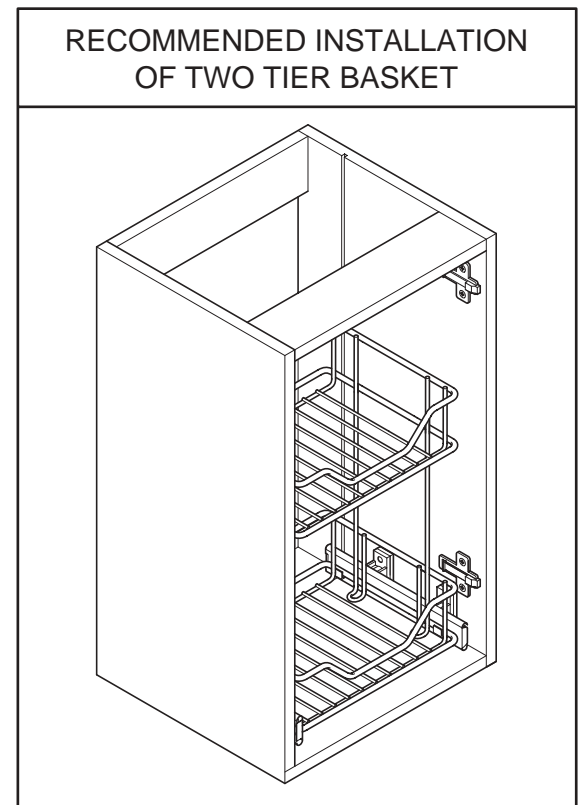


SINGLE BASKET FITTING INSTRUCTIONS			
A  x1	B  1x L.H. 1x R.H.	C  x2	D  x4
E  x2	F  x2	G  x2	



NOTE:
PLASTIC SPACERS ARE TO BE FIXED ON THE HINGED SIDE OF THE CARCASS.

