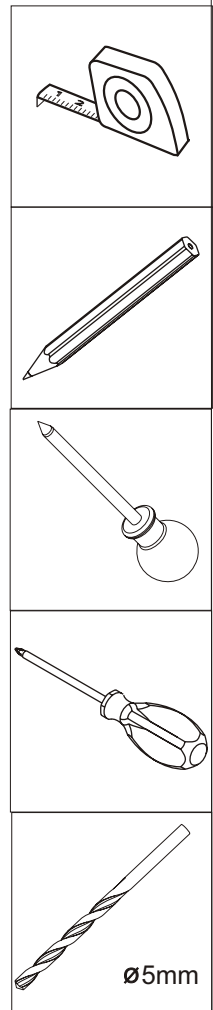
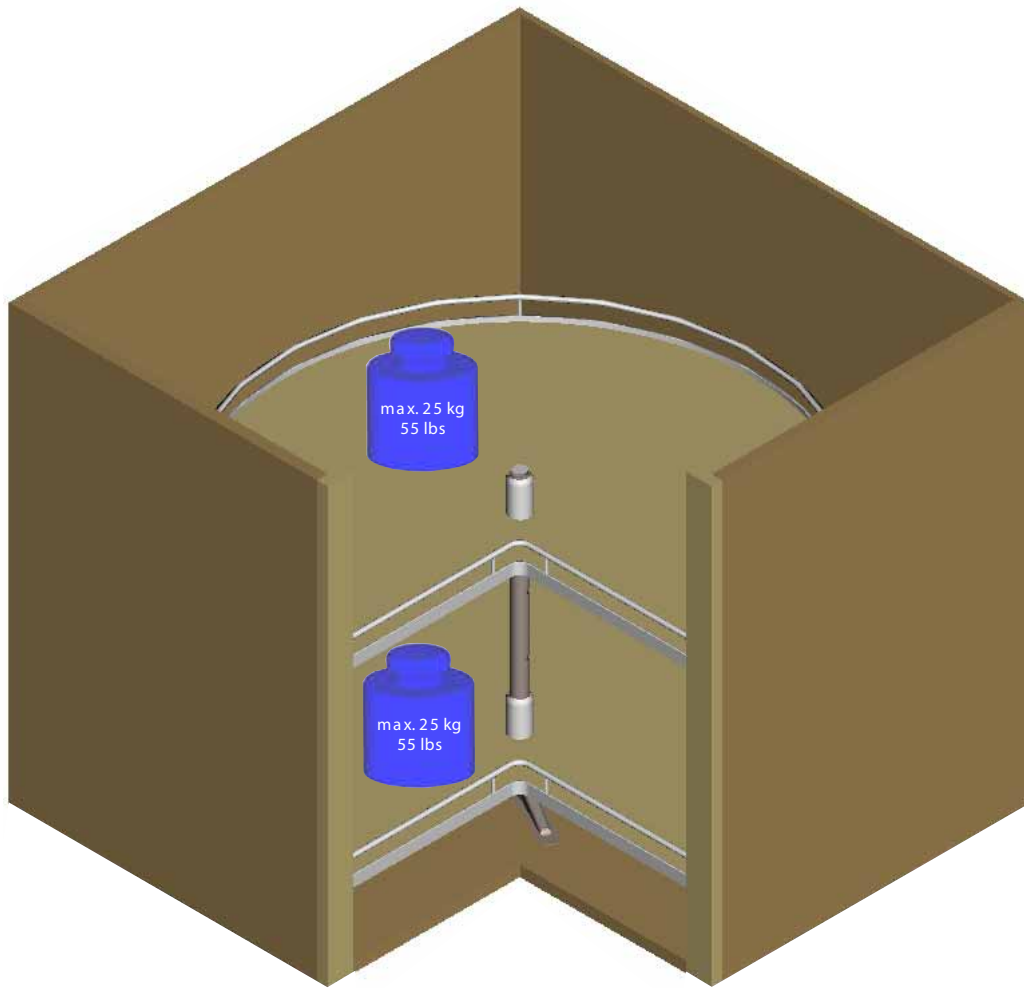




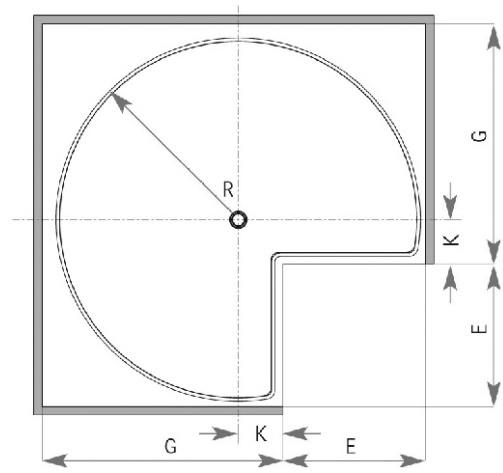
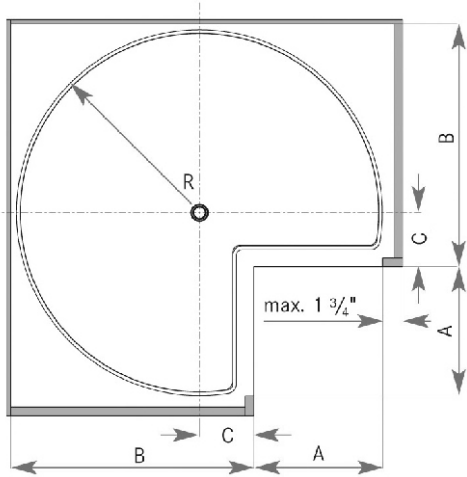
## Mounting Instruction Revolving Three-Quarter Round Pie-cut



fasteners are not included

Post bottom mounted	Post height adjustable
use 3x	use 6x
	
pan head	pan head

ø5mm

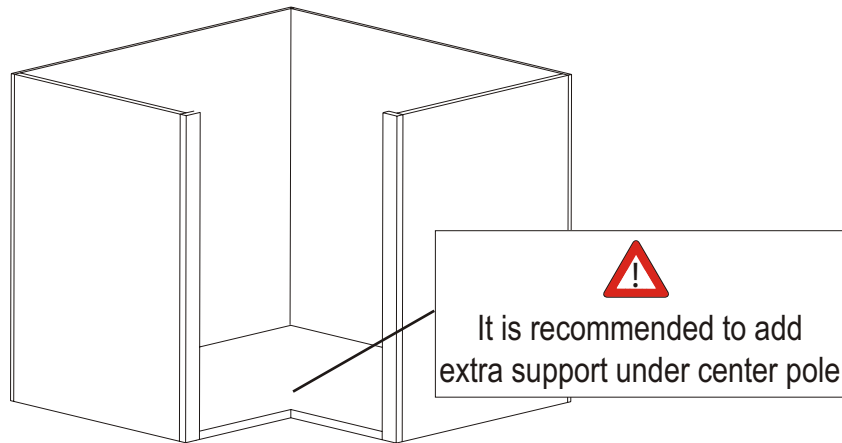


**Framed Cabinet**

Tray	A <sub>min</sub>	B <sub>min</sub>	C <sub>min</sub>	R
24"	10 1/16" (256 mm)	14 13/16" (377 mm)	2 5/16" (59 mm)	12" (305 mm)
28"	10 9/16" (268 mm)	18 1/4" (464 mm)	3 11/16" (94 mm)	14" (356 mm)
32"	11 3/8" (289 mm)	21 1/2" (546 mm)	4 3/4" (121 mm)	16 1/8" (410 mm)

**Frameless Cabinet**

Tray	E <sub>min</sub>	G <sub>min</sub>	K <sub>min</sub>	R
24"	10 15/16" (279 mm)	14 1/16" (358 mm)	1 9/16" (40 mm)	12" (305 mm)
28"	11 9/16" (294 mm)	17 1/2" (444,5 mm)	2 15/16" (74,5 mm)	14" (356 mm)
32"	12 10/16" (321 mm)	20 3/4" (527 mm)	4" (102 mm)	16 1/8" (410 mm)

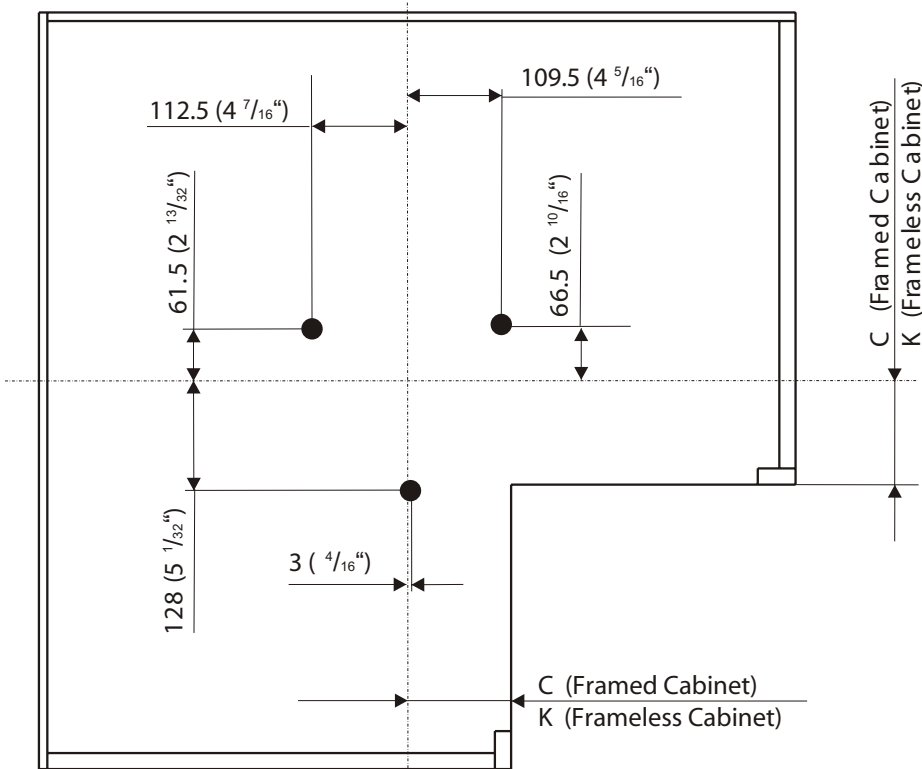
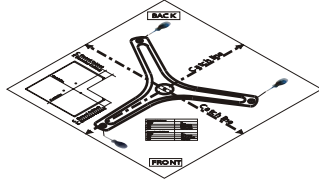
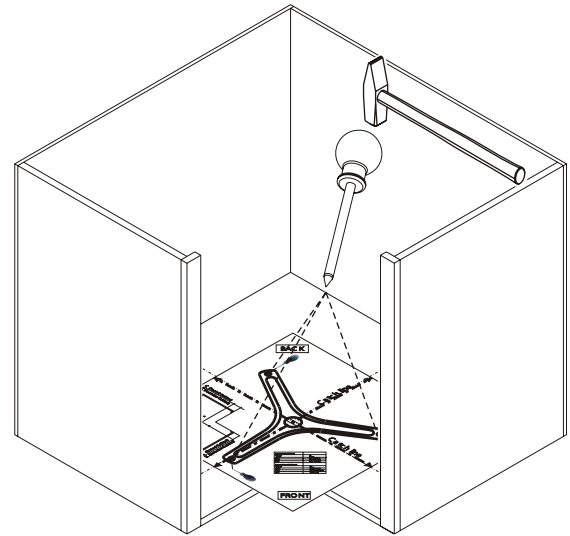
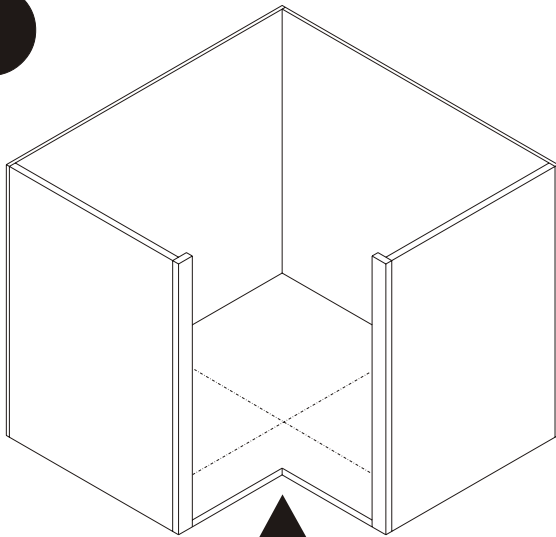



A. Post with Stand for bottom Mounting (p. 2 - 6)

B. Post height adjustable (p. 6 - 9)

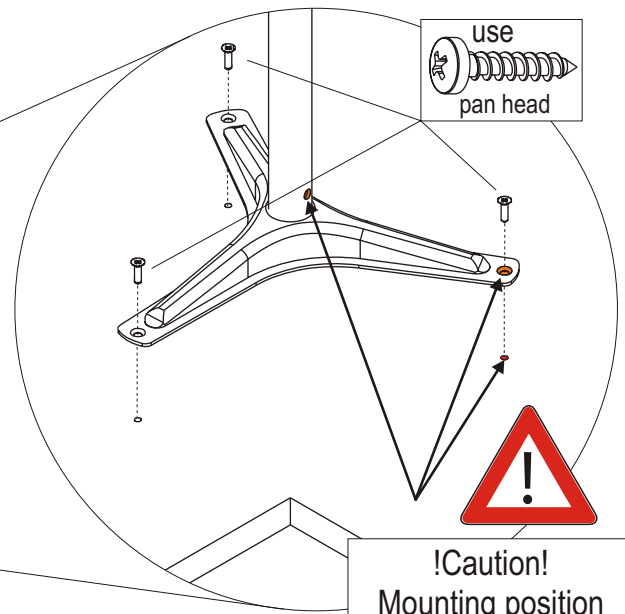
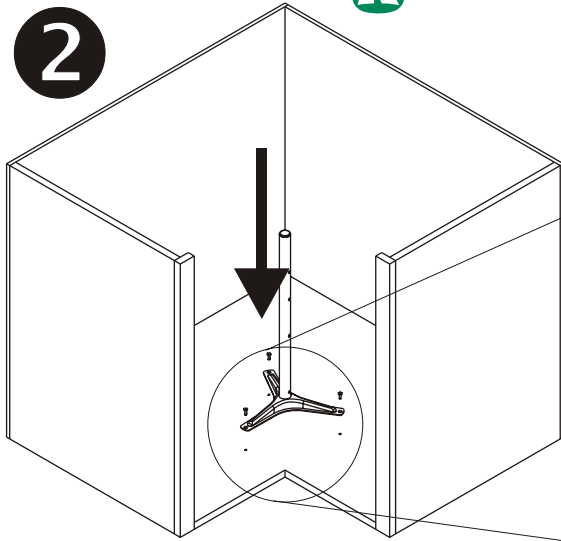
# A. Post with stand for cabinet bottom mounting

1



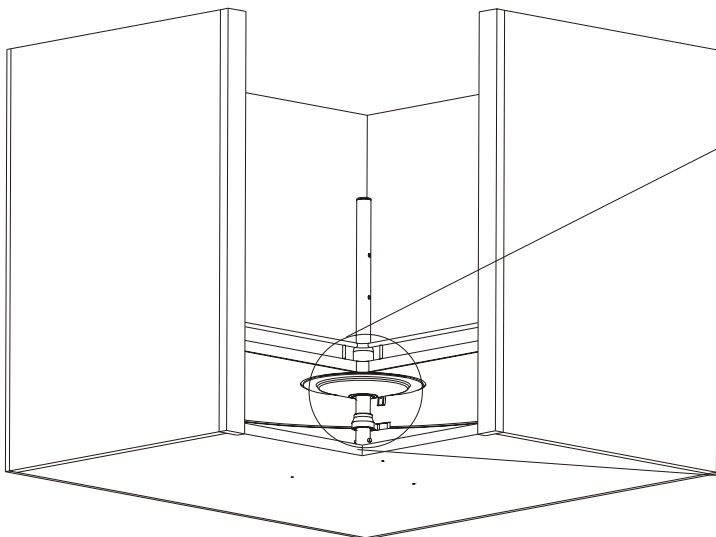
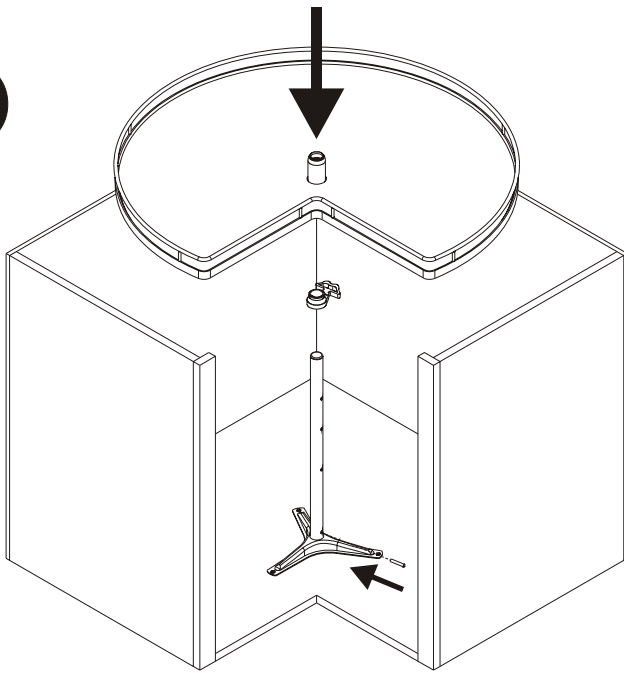
  
 Reference line may not be on cabinet center  
 (See "C" or "K" on page 2)

2

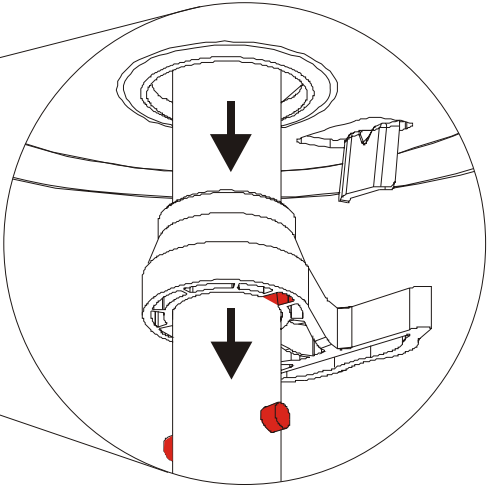
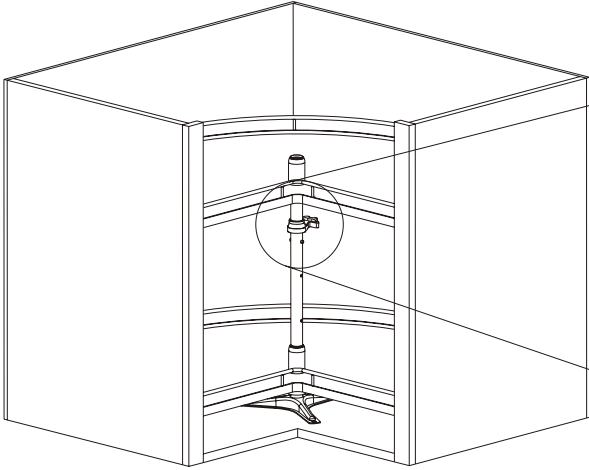
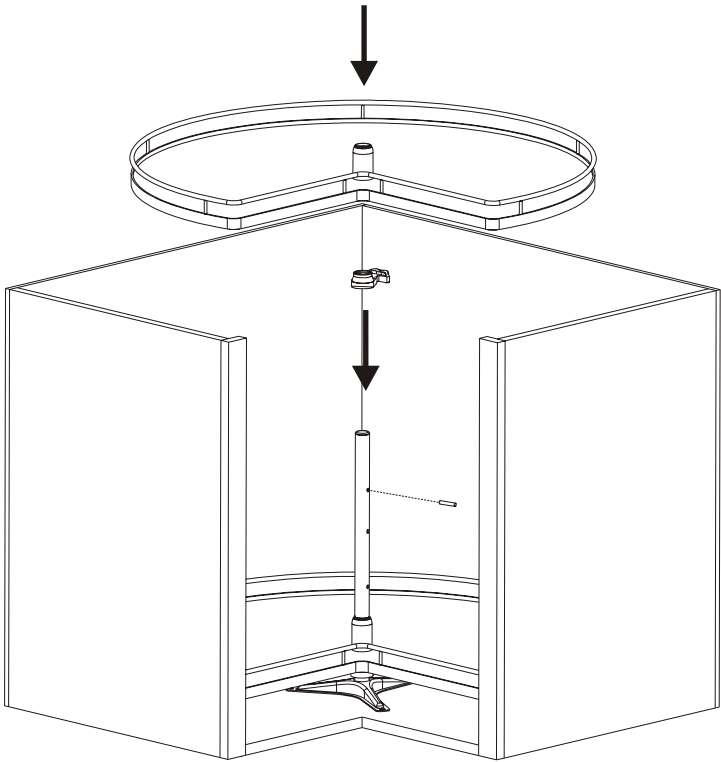


!Caution!  
Mounting position  
of post

3



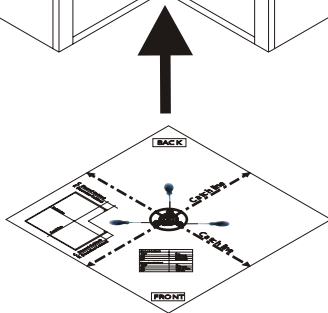
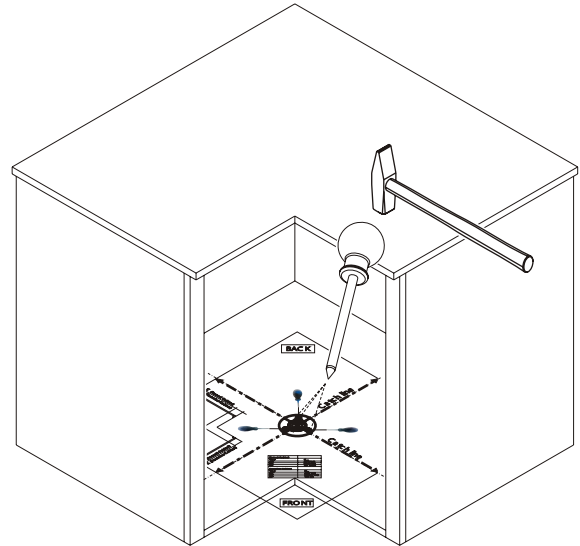
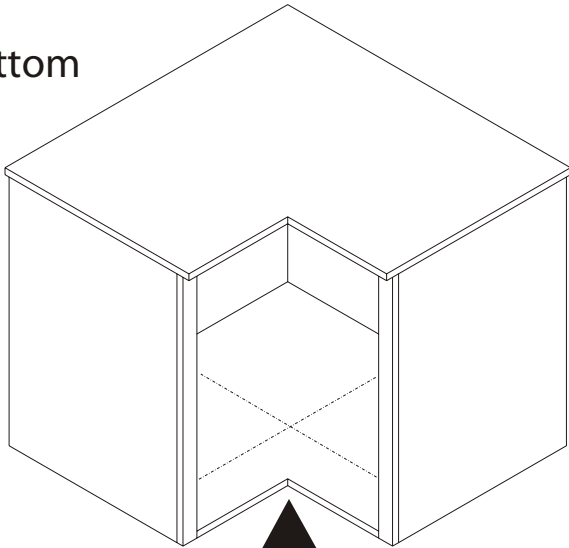
4



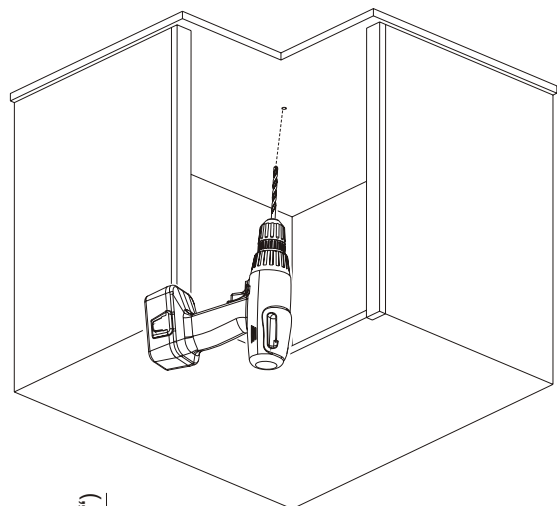
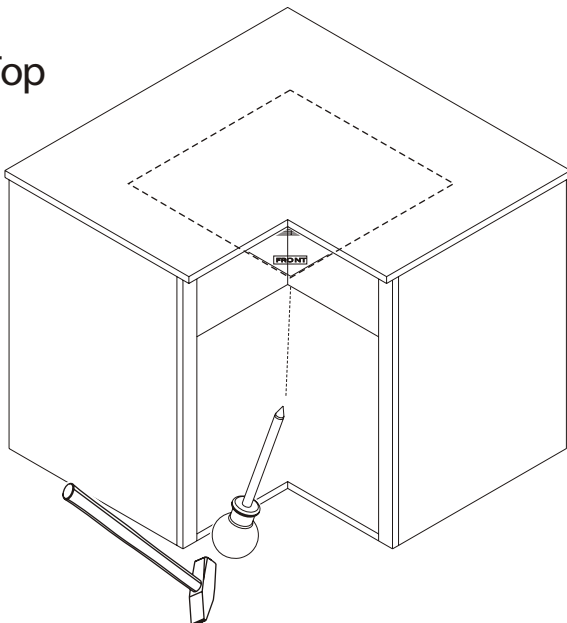
## B. Post height adjustable

**1**

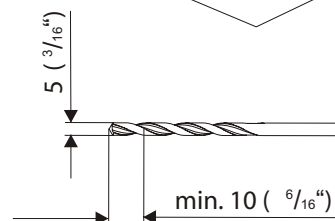
Bottom



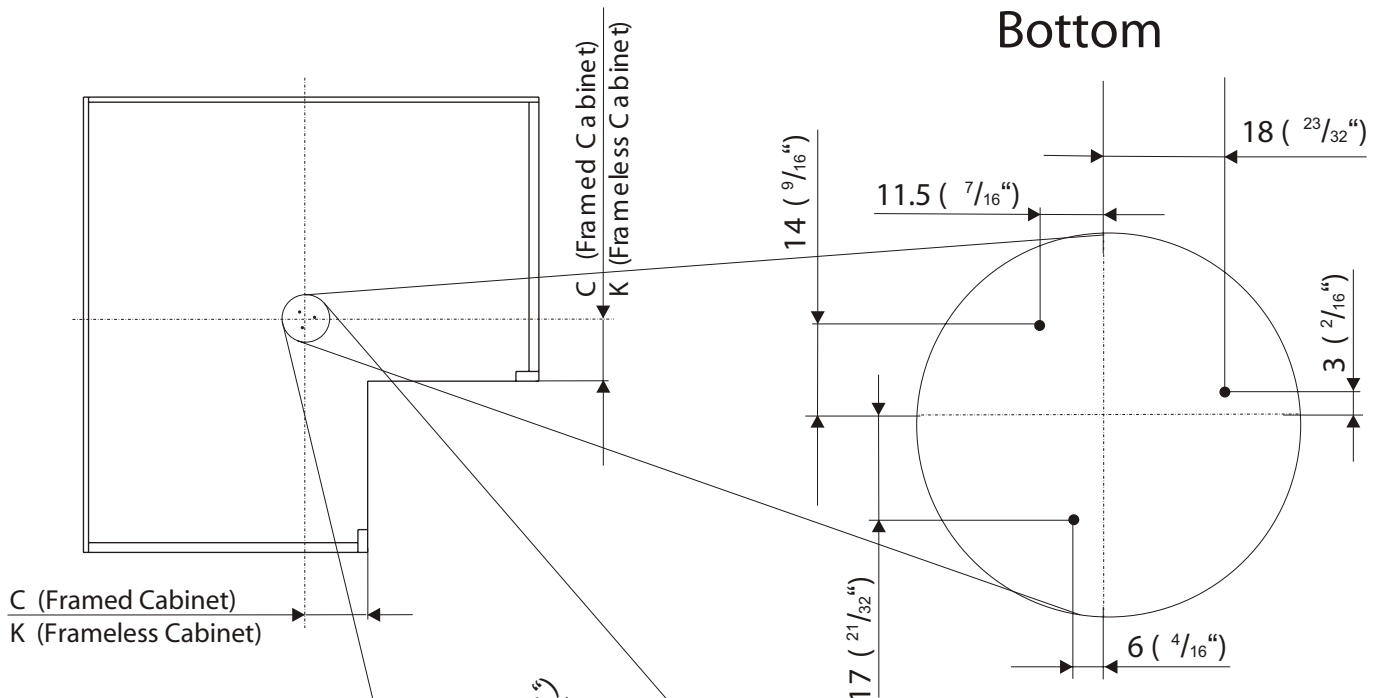
Top



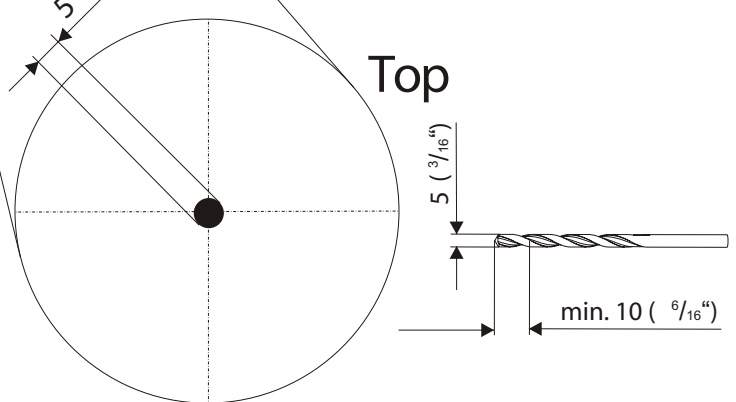
mark only center position !



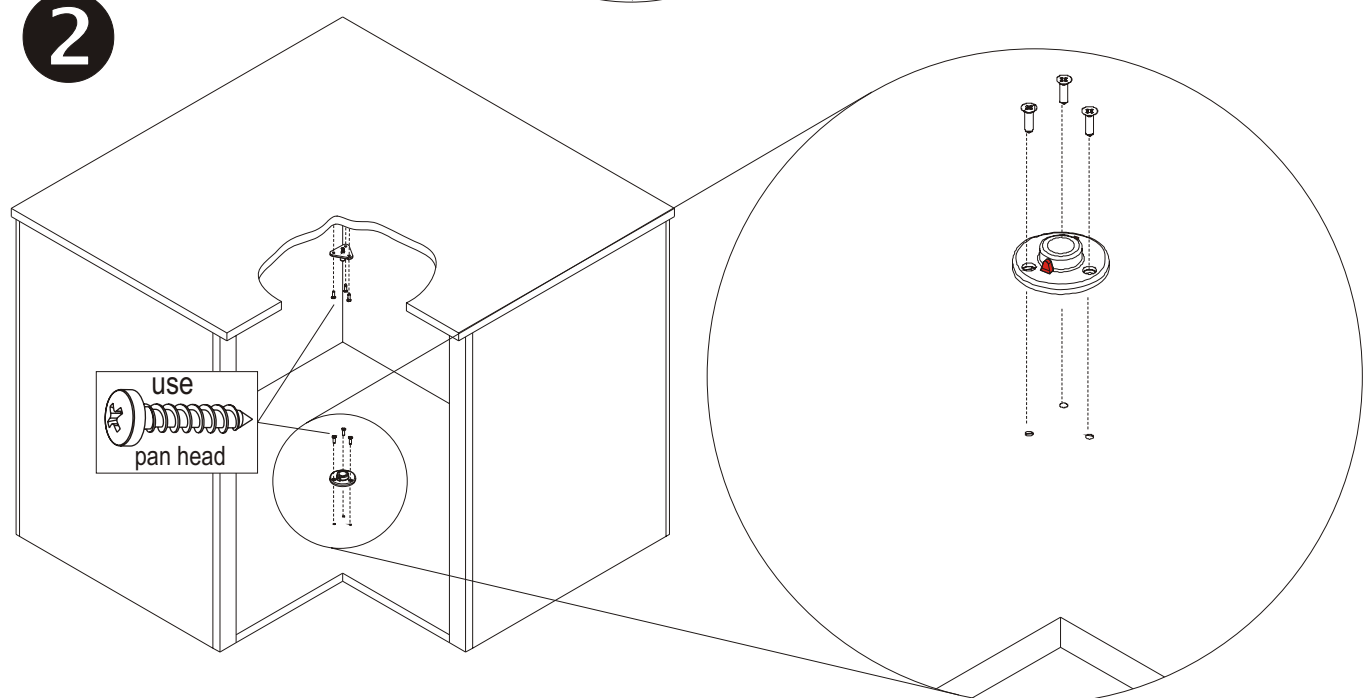
Bottom



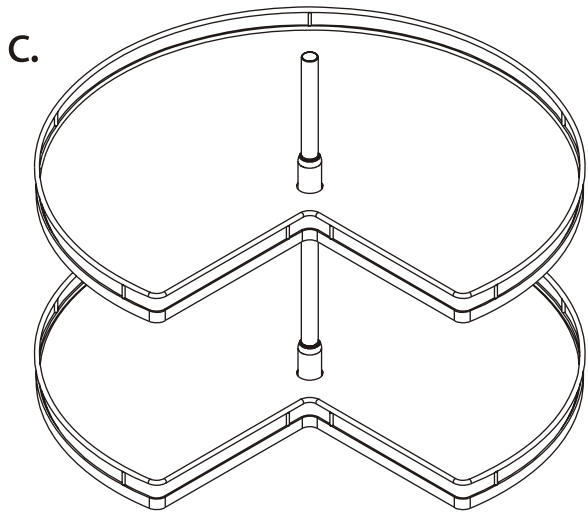
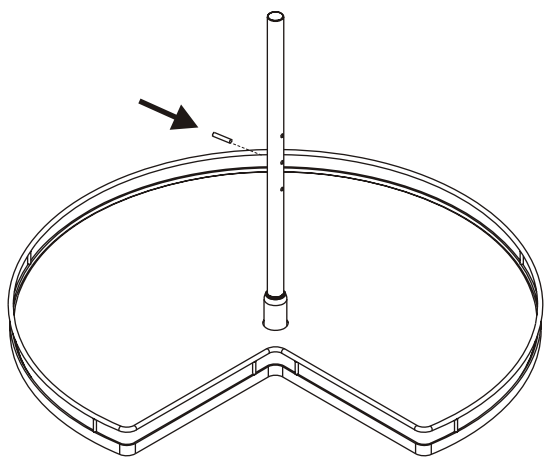
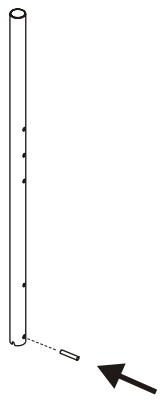
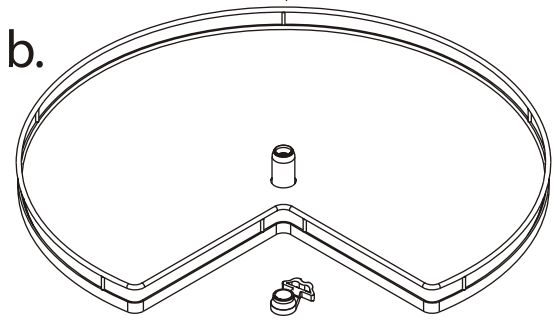
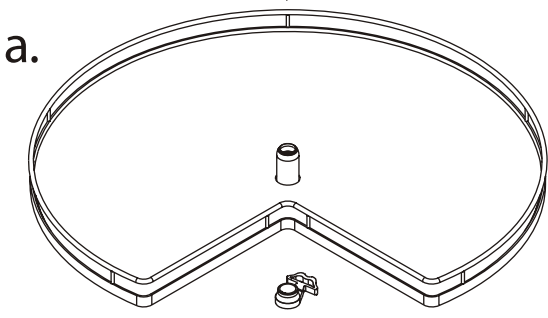
Top



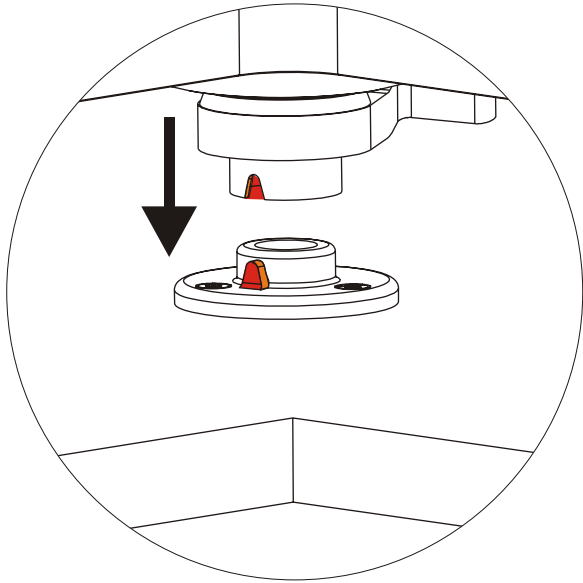
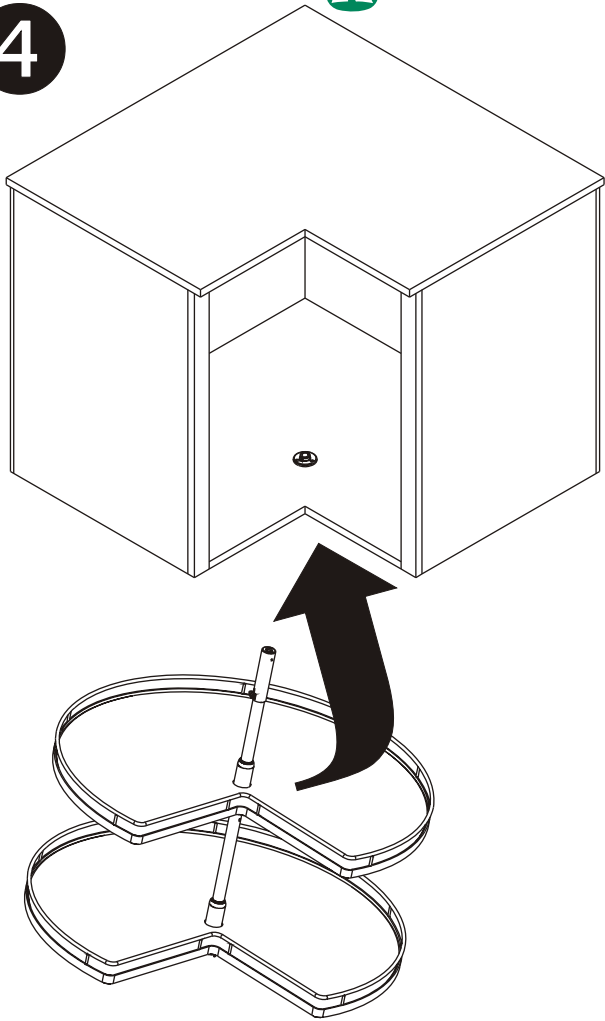
2



**3**



4



5

