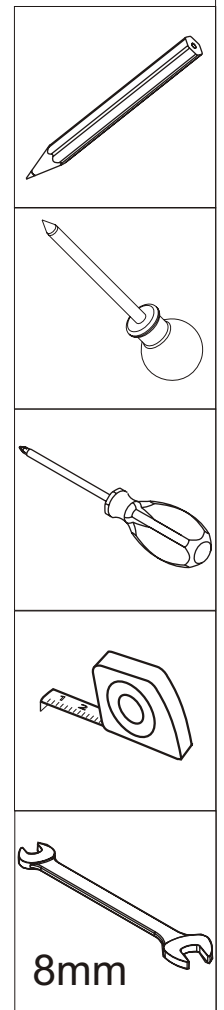
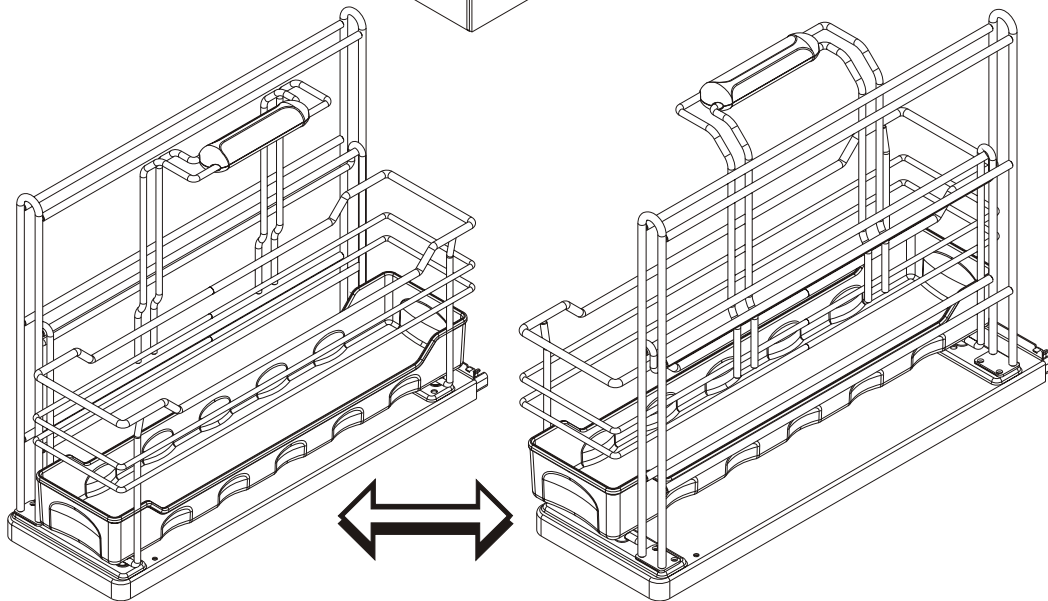
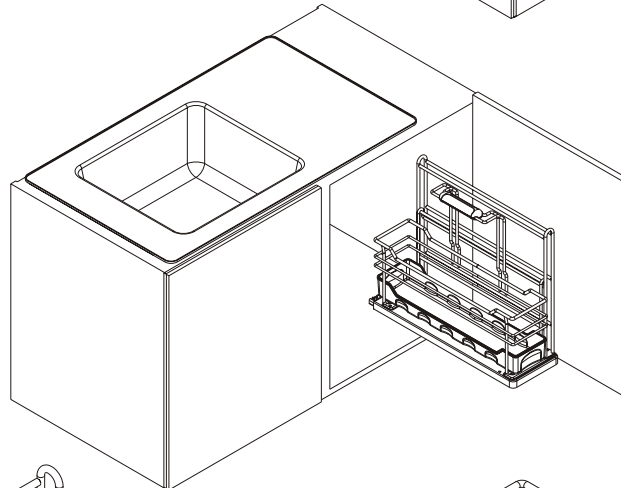
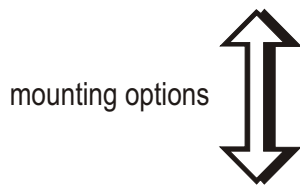
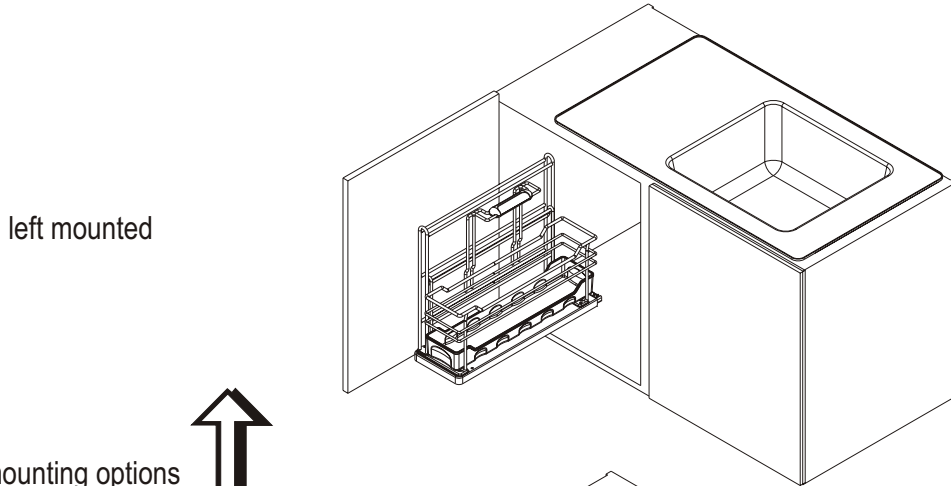


# Mounting Instruction

## Storage Unit Pull-out



fasteners are not included

use 4x

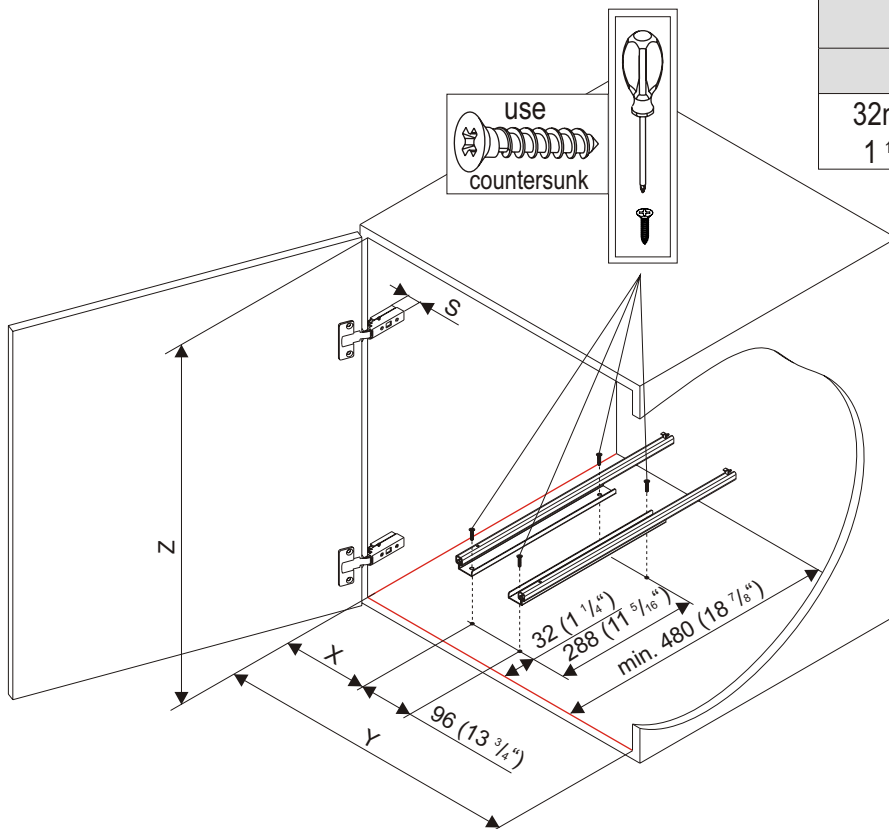
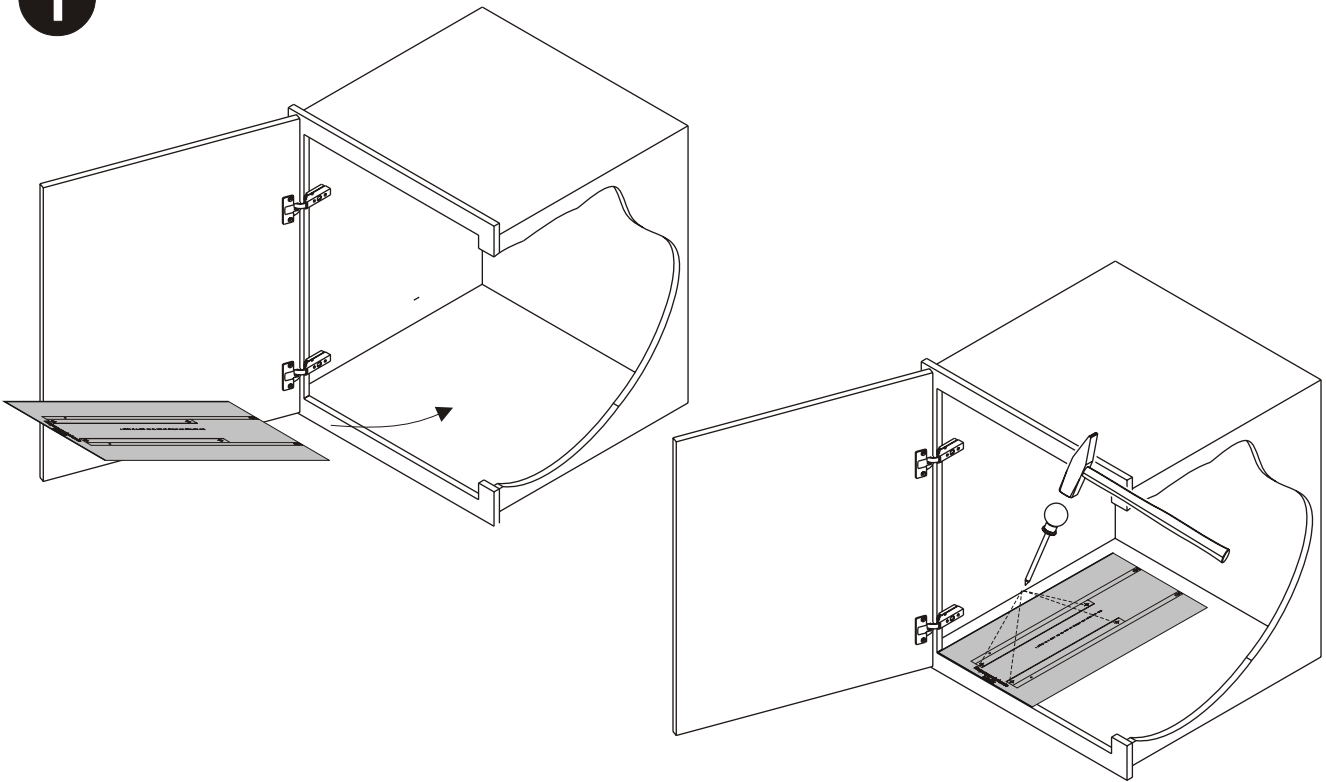


countersunk

8mm

left mounted (right mounted inversely)

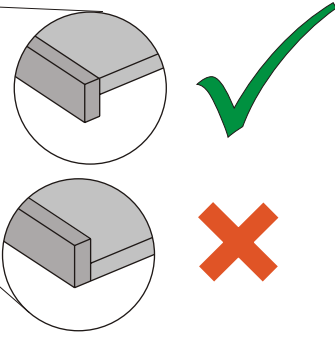
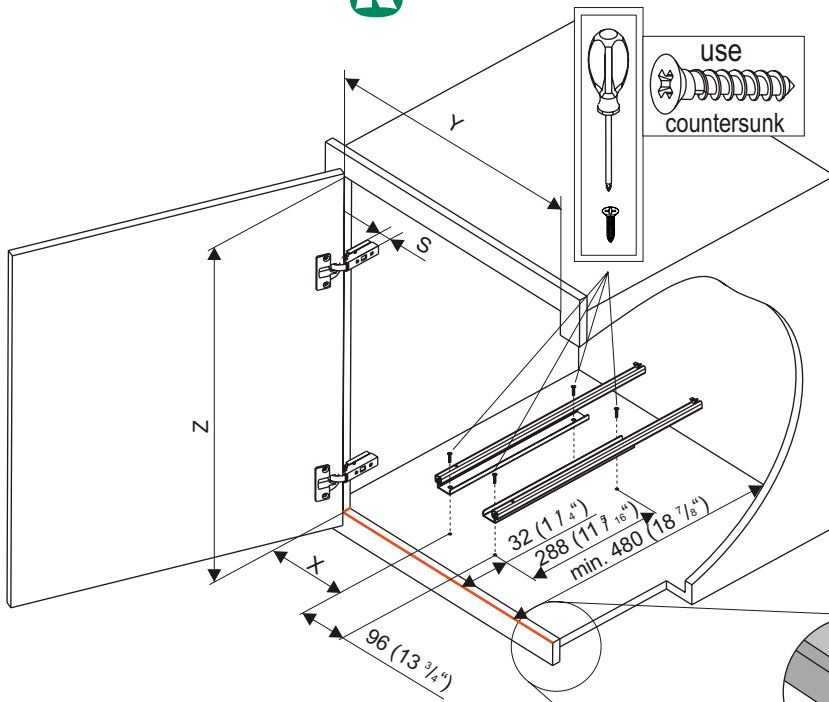
**1**



frameless		
X	min. Y	min. Z
32mm + S	160mm+S	395mm
1 1/4" + S	6 5/16" + S	15 9/16"

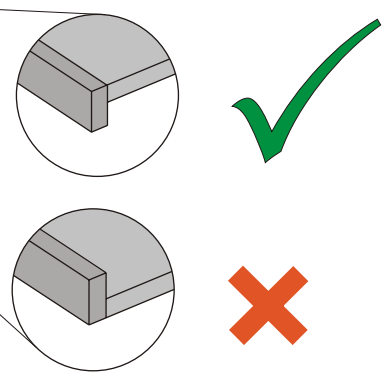
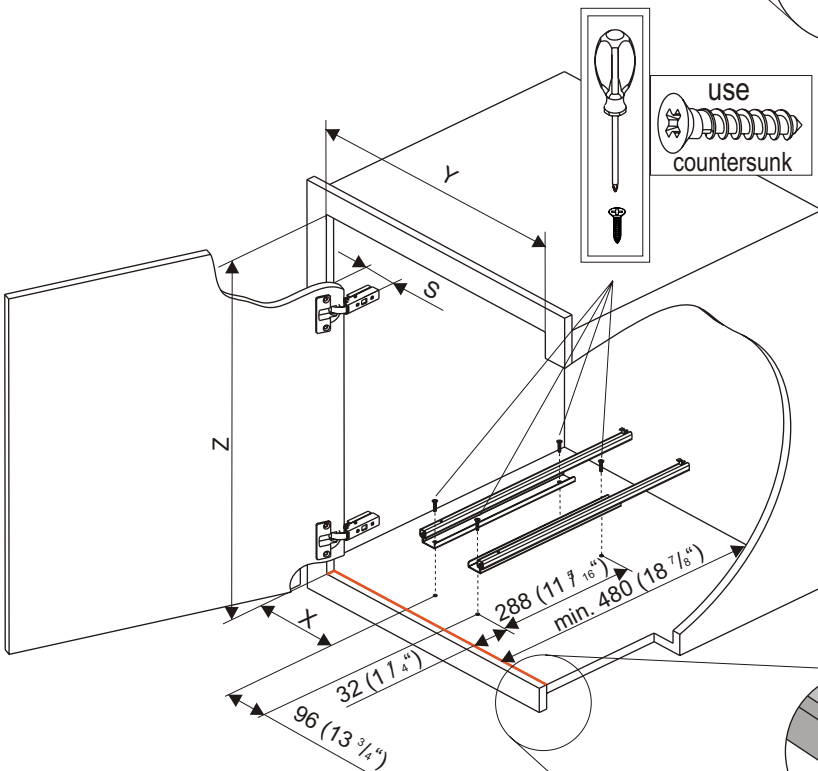
**face frame overlay**

X	min. Y	min. Z
32mm + S + F	160mm+S + F	395mm
1 1/4" + S + F	6 5/16" + S + F	15 9/16"

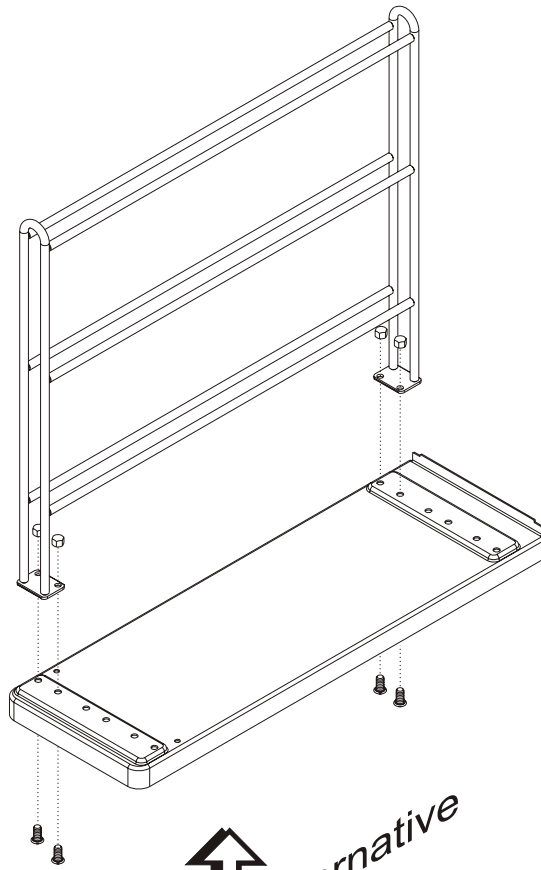


**face frame inset**

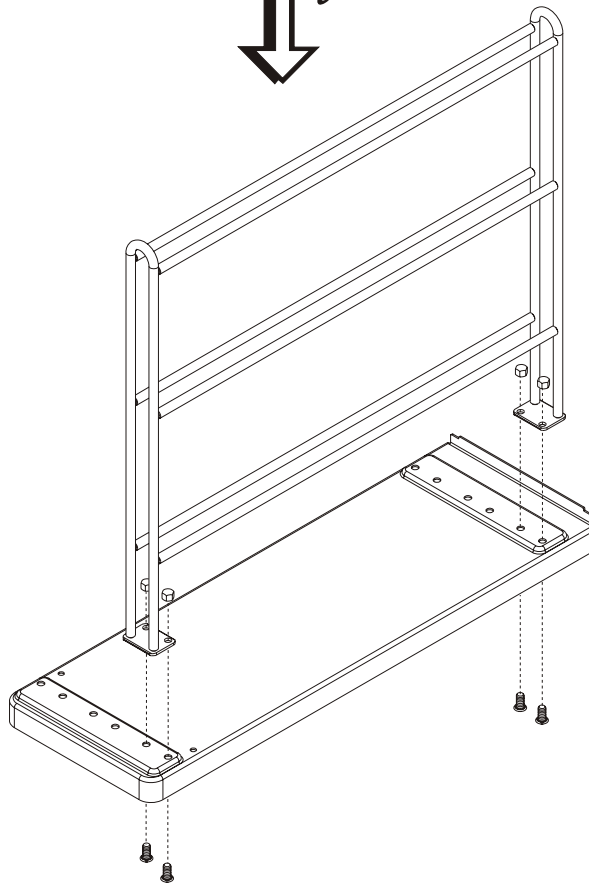
X	min. Y	min. Z
32mm + S + F	160mm+S + F	395mm
1 1/4" + S + F	6 5/16" + S + F	15 9/16"



2



 alternative



3

