

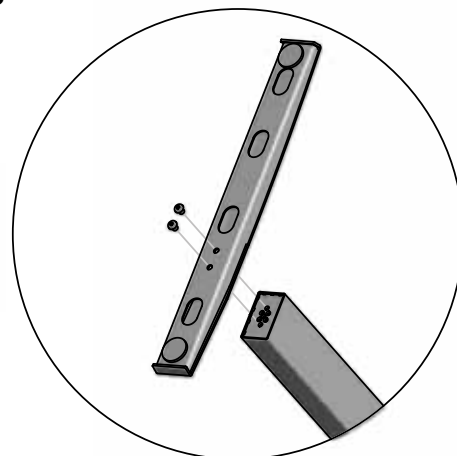
Item No.: 630.44 Series

Adjustable Table System™

Electric Sit to Stand System 630.44 series

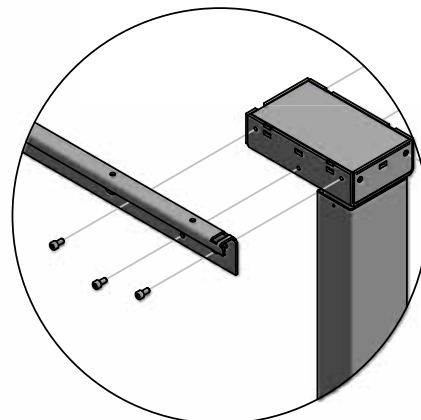
Step 1:

Attach feet to side bases using 2 pcs. each
M10 x 12 pan head screws



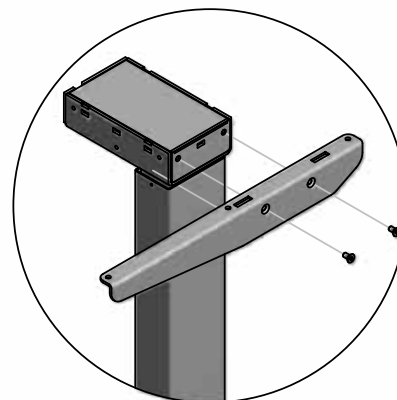
Step 2:

Mount the J-Channels with the M6 x 12 cylinder head screws



Step 3:

Mount the top plate with the M6 x 12 countersink screws



Step 4:

Plug electrical components together:

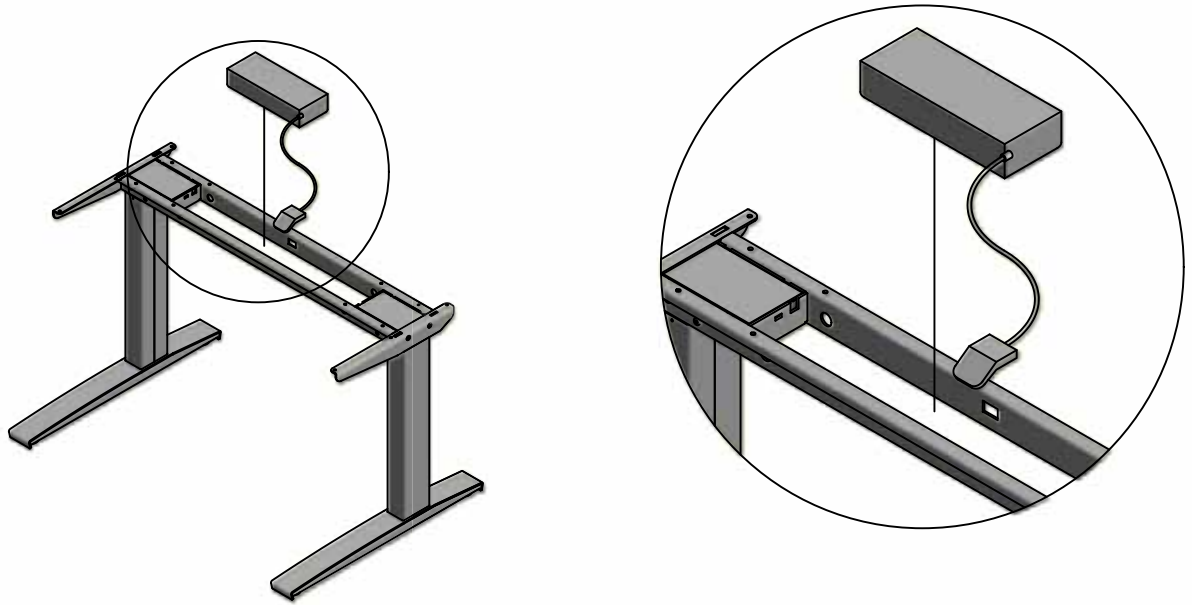
- Plug cords from side bases into control box using portals #1 and #2
- Plug switch into control box
- Plug power cord into control box, and then into power supply (outlet)

Initial Operation – Important:

Press and hold down arrow button for a few seconds to allow left and right side bases to synchronize. They will generally adjust slightly.

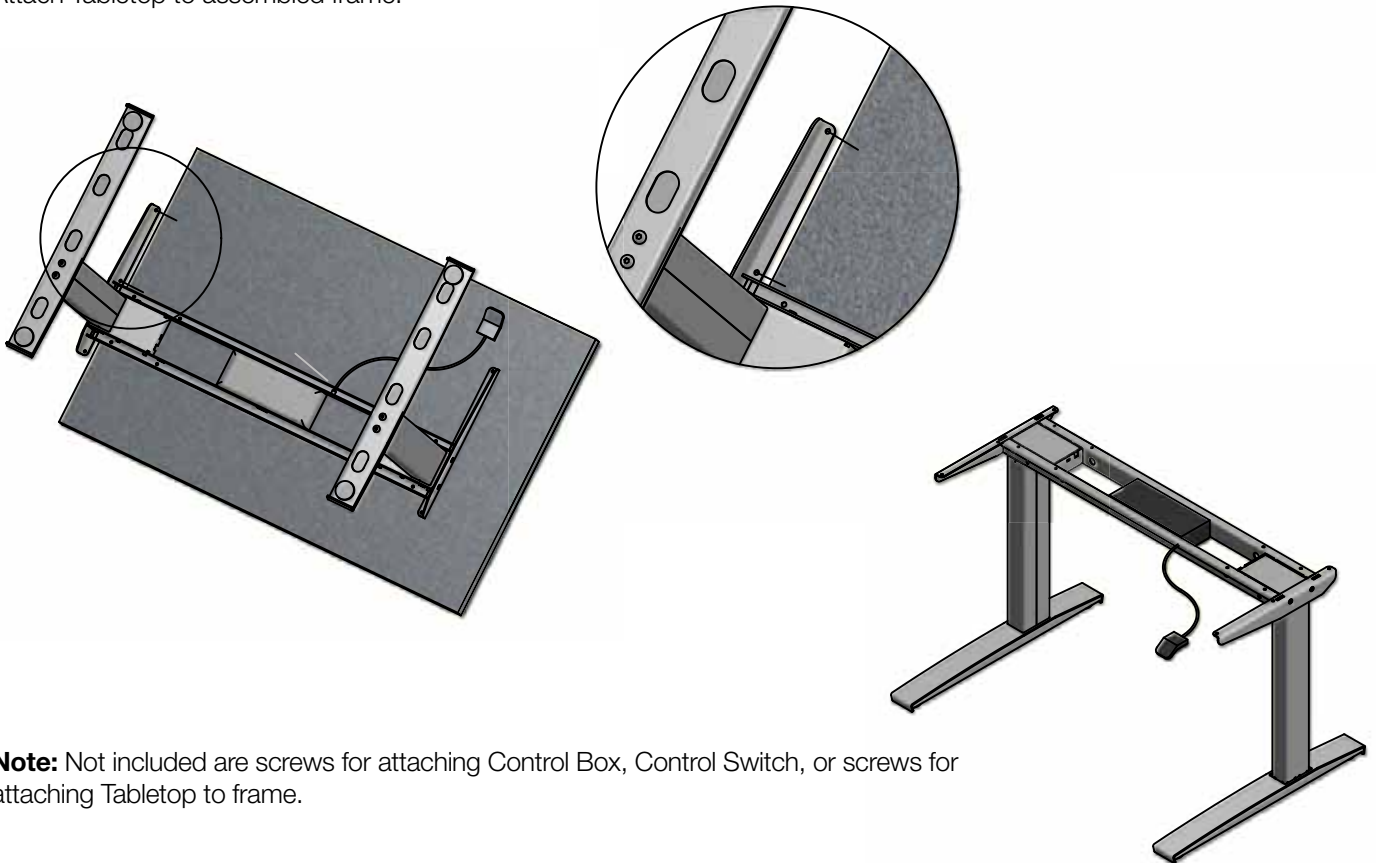
Step 5:

Attach Control Box and Control Switch at desired location – Control Box is generally mounted between the two J-Channels.



Step 6:

Attach Tabletop to assembled frame.



Note: Not included are screws for attaching Control Box, Control Switch, or screws for attaching Tabletop to frame.

HÄFELE

3901 Cheyenne Drive
P.O. Box 4000
Archdale, NC 27263
1-800-423-3531
www.hafele.com

