



Order Form: Custom Aluminum Base Frame

Customer Information:

Contact Name: _____ Contact Phone: _____

Company Name: _____ Account#: _____

Contact E-mail: _____ PO#: _____

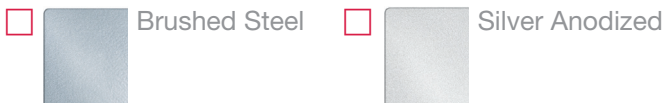


1) Choose decorative sleeve type



2) Choose foot height: 100 mm or 150 mm

3) Choose a finish



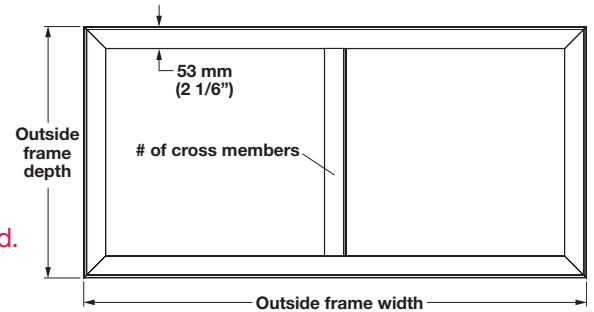
4) Outside frame width: _____ mm _____ in.

5) Outside frame depth: _____ mm _____ in.

6) Number of cross members: _____

Note: Use one cross member for each 24" (600 mm) of cabinet width, equally spaced.

7) Order quantity: _____



Submit