

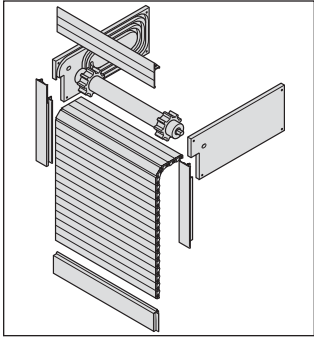


Order Form: Custom Aluminum Tambour Units

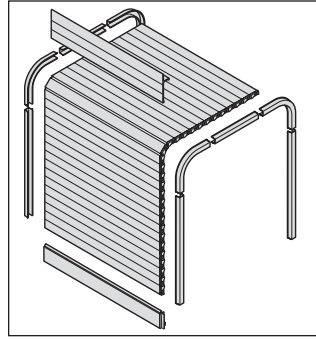
Customer Information:

Contact Name: _____ Contact Phone: _____
 Company Name: _____ Account#: _____
 Contact E-mail: _____ PO#: _____

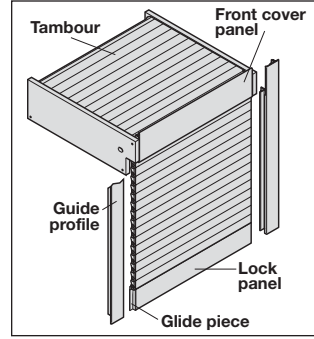
1) Choose a shutter type



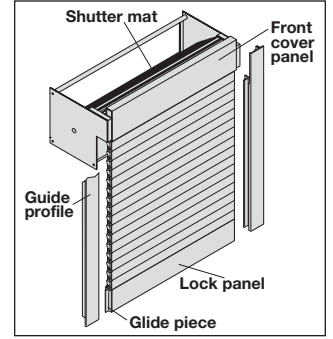
Version A



Version B



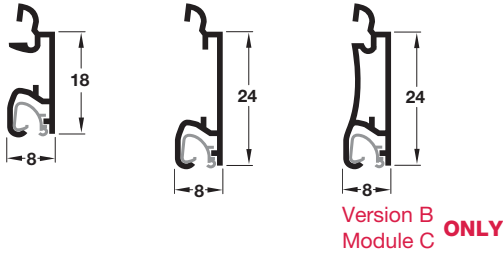
Module A:
 Inset Overlay





Module C (vertical only):
 Inset Overlay

2) Choose a profile height

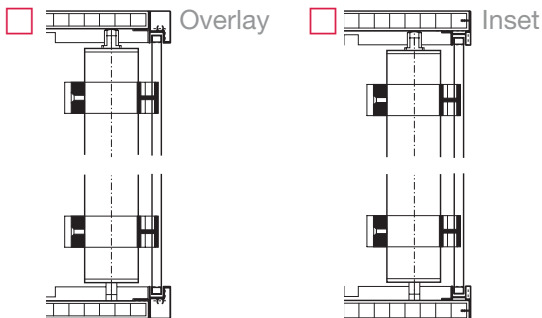
18 mm 24 mm 24 mm Double-walled



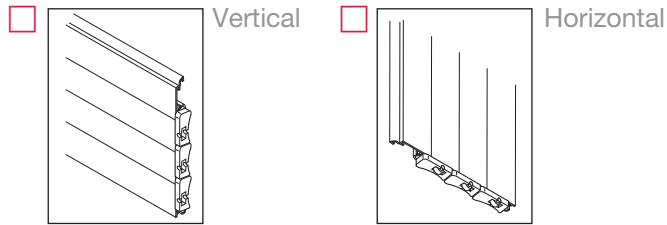
3) Choose a shutter color

 Aluminum  Stainless Steel

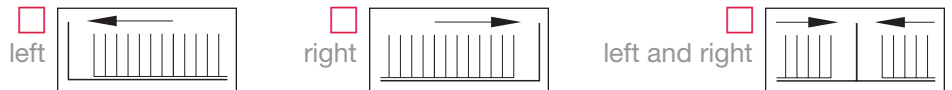
4) Choose overlay or inset installation



5) Specify sliding direction



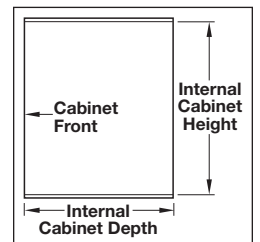
5.1) For horizontal applications only, please choose one



6) Internal cabinet width: _____ mm _____ in.

7) Internal cabinet height: _____ mm _____ in.

8) Internal cabinet depth: _____ mm _____ in.



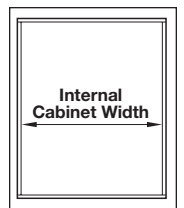
9) Please choose options:

Pre-installed lock:

Yes No

Customer installed recessed handle or lock:

Yes No



10) Order quantity: _____

Submit