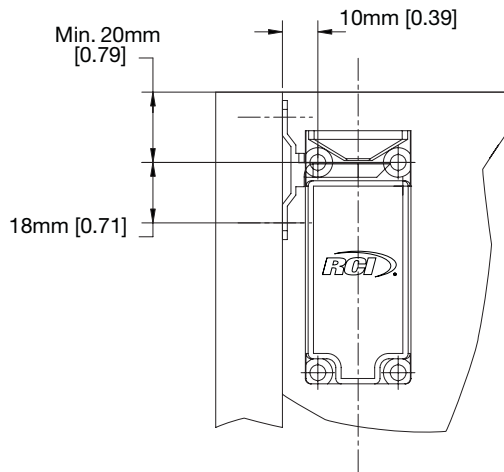
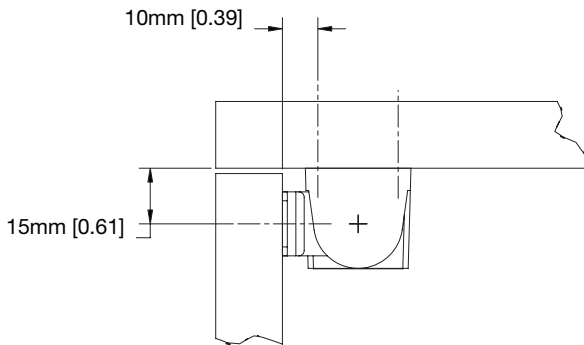


Item No.: 237.56.060

## EFL6 Cabinet Lock



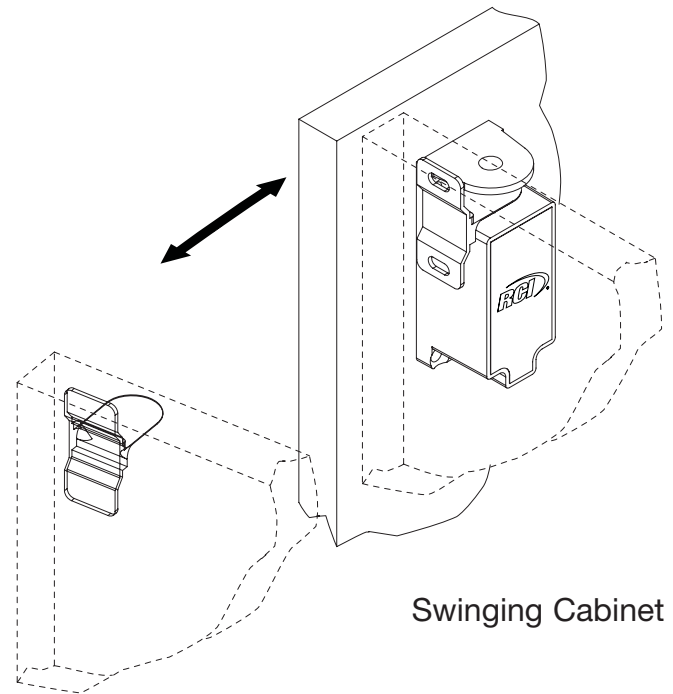
Installation Dimensions

### Specifications:

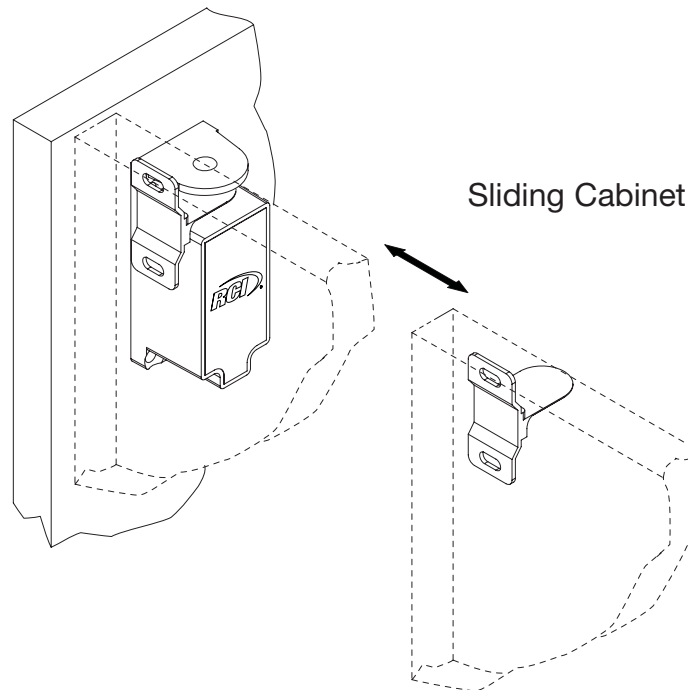
Voltage/current consumption: 12V DC/184 mA  
 Duty cycle rating: continuous duty  
 Heat generated: 2.2 watt  
 Temp. range: 40° F - 120° F  
 Tensile load limit: 90 kg (200 lb.)  
 Connections: 2 wires, 1 inlay  
 Minimum door width: 240 mm (9.5")

### Parts Checklist

QTY	Description
4	Flat Head Wood Screws
2	Pan Head Wood Screws



Swinging Cabinet

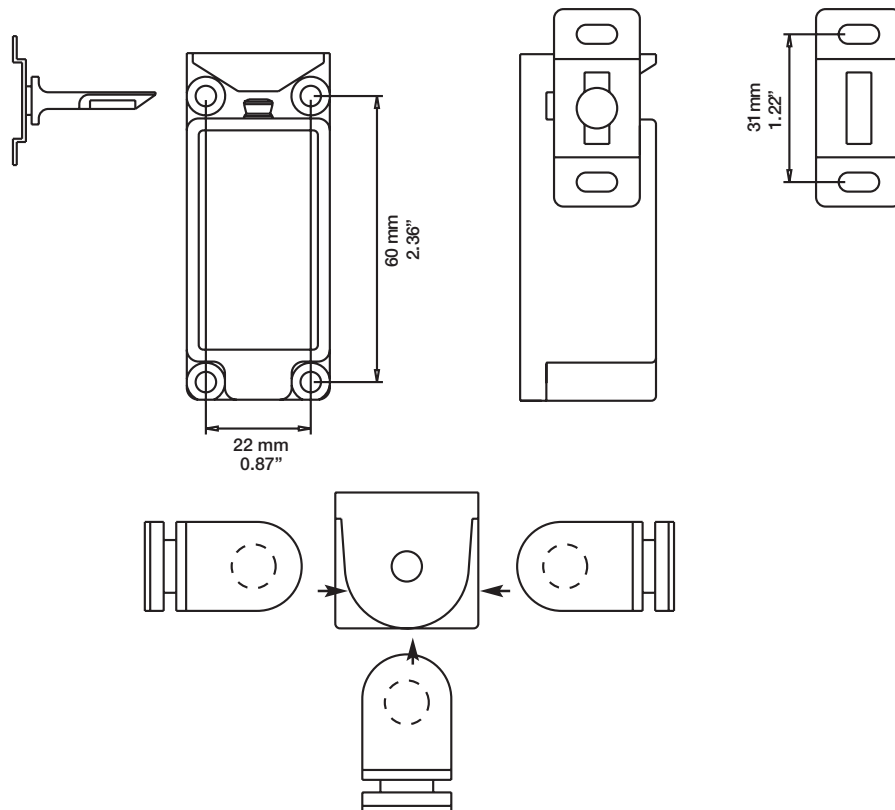
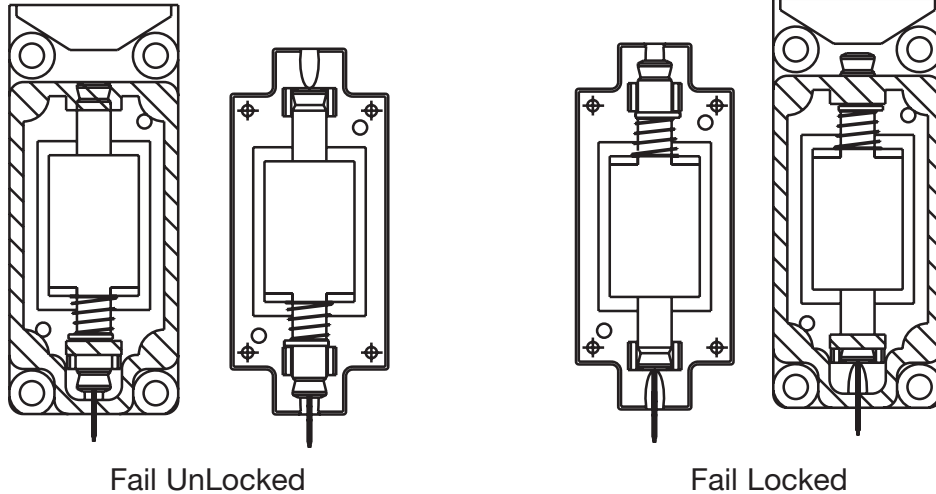


Sliding Cabinet

**WARNING:**

This lock must be wired to a power source prior to installation of strike. Failure to do so will result in the locking of the door if closed.

1. Remove the 4 Screws on the bottom.
2. Remove base plate and solenoid.
3. Turn assembly 180° and re-route wires to cut out.
4. Install into housing and insert the 4 Screws.



NOTE: Drawings are not to scale. This information is subject to change without notice. For questions, consult Häfele technical service helpline, 888-437-7477.

**HÄFELE**

3901 Cheyenne Drive  
P.O. Box 4000  
Archdale, NC 27263  
**1-800-423-3531**  
[www.hafele.com](http://www.hafele.com)