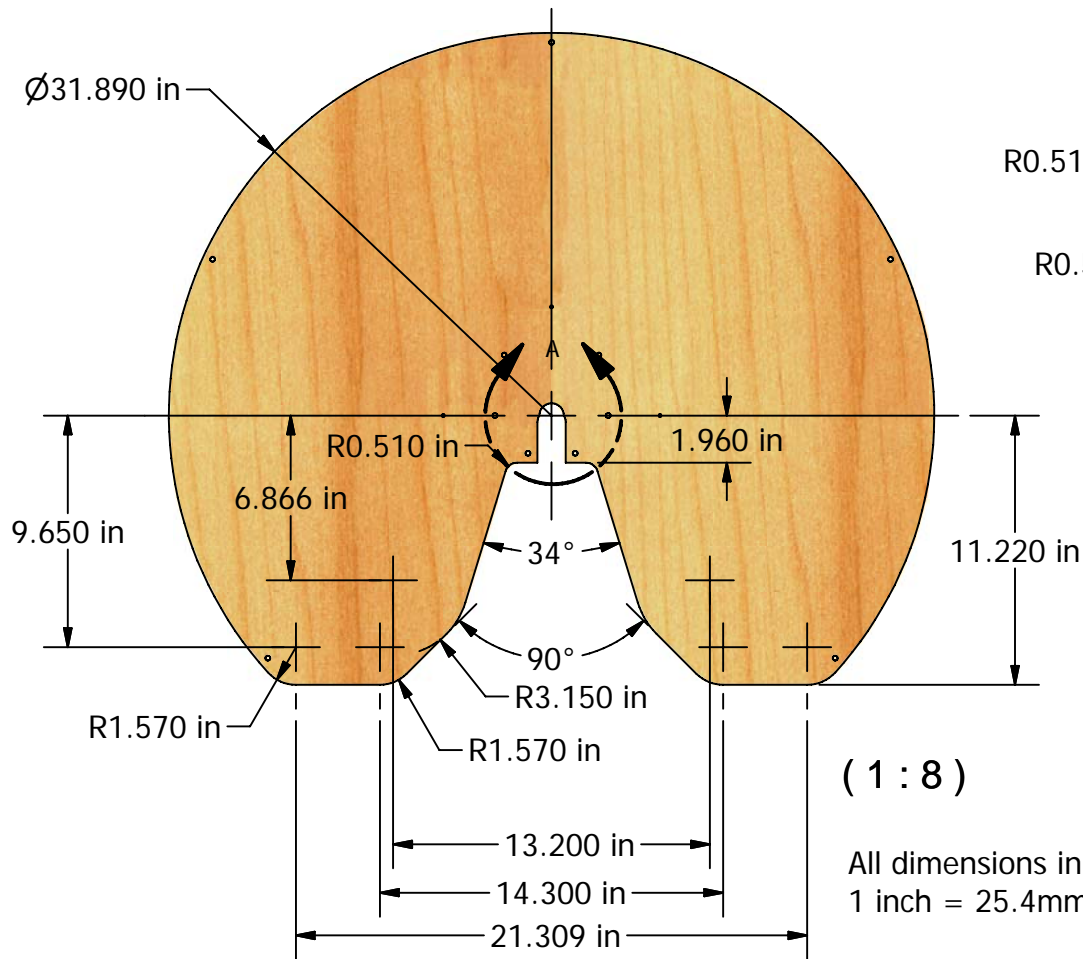


ISO 2768-m		Permissible deviations for basic size ranges (Values in millimeters)							
tolerance class		0.5 up to 3	over 3 up to 6	over 6 up to 30	over 30 up to 120	over 120 up to 400	over 400 up to 1000	over 1000 up to 2000	over 2000 up to 4000
f	fine	±0.05	±0.05	±0.1	±0.15	±0.2	±0.3	±0.5	
m	medium	±0.1	±0.1	±0.2	±0.3	±0.5	±0.8	±1.2	±2
c	coarse	±0.2	±0.3	±0.5	±0.8	±1.2	±2	±3	±4
v	very coarse		±0.5	±1	±1.5	±2.5	±4	±6	±8



R0.510 ^{+0.04}
_{-0.00} in

R0.510 in

DETAIL A
SCALE 1 / 2

0.27 in

1.180 in

(1 : 8)

All dimensions in inch
1 inch = 25.4mm

STATUS

01

Wooden shelf

541.04.235 wooden shelf

DATE:
12/15/2004

SPECIFICATION
ISO 2768-m

SCALE:
A.S.

MAT:
Wood

DRAWN BY:
NPG

FINISH:

PUM APPROVAL
KA

CUSTOMER APPROVAL

541.04.235.idw

1

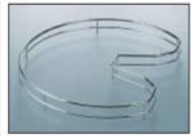
2

NOTICE
THIS DRAWING AND ALL INFORMATION THEREON IS THE PROPERTY OF:

HÄFELE

THIS DRAWING AND INFORMATION THEREON IS CONFIDENTIAL. MUST NOT
MADE PUBLIC, COPIED OR USED TO DISADVANTAGE OF SAID HÄFELE
AMERICA CO. IT IS SUBJECT TO RETURN ON DEMAND.

2006 HÄFELE AMERICA CO.



Three-quarter round metal surround
 For revolving wooden shelves (customer supplied).
 Finish: steel, chrome-plated
 for corner base units

Diameter	Cat. No.
(914 x 914 mm (36" x 36")	Ø 800 (Ø 11/2") 541.04.235

Packing: 1 pc.



Shelf Support
 For use with wooden shelf (customer supplied).
 Finish: steel, epoxy-coated white
 for corner base units

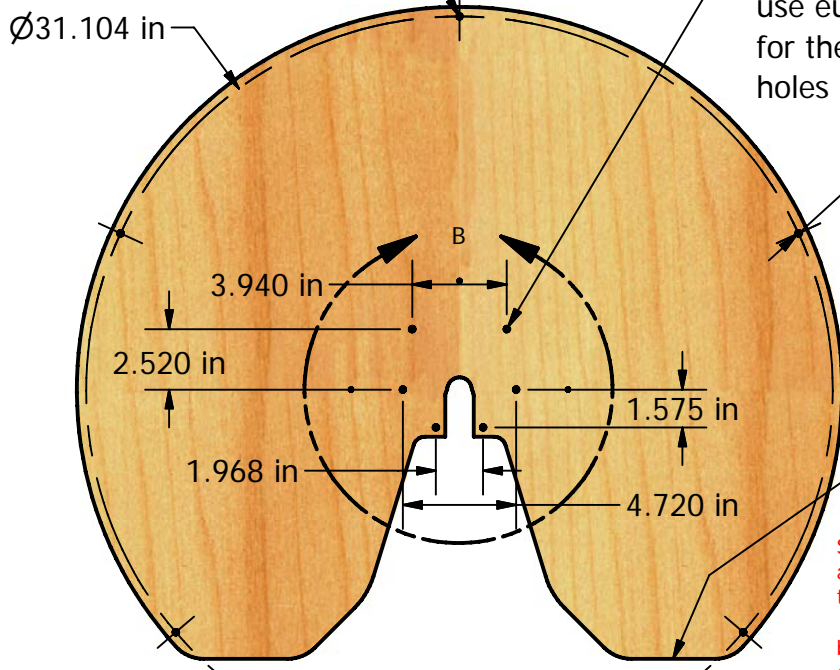
Cat. No.
190 x 190 mm (7 1/2" x 7 1/2") 541.35.513

Packing: 1 pc.

DETAIL B
 SCALE 1 / 4

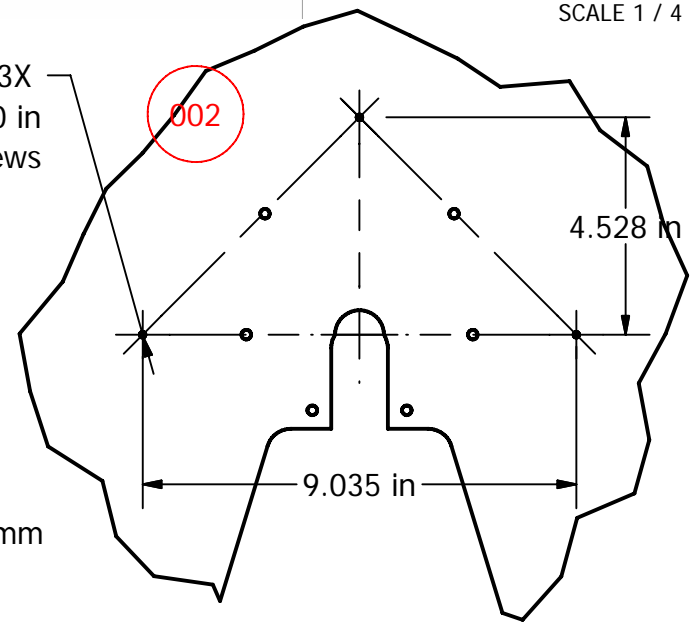
Holes only necessary when Hafele chrome rail system is used
 Part No. 541.04.235

Ø31.104 in

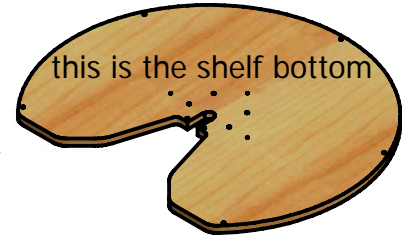


002

002



This shape has maximum space to load and minimum space to cabinet.
 Smaller dimensions are possible.



- Support Bracket-Shelf attachment options:
- The customer is drilling the holes and uses euro screws for the pre drilled holes
 - the customer does not drill any holes for the shelf support and uses spax screw (chipboard screws). The shelf support has 4 separate holes for them (different locations). Attention: if the customer uses this versions without pre drilling the holes, he has to assure that the support bracket is lined up correctly with the shelf.

All dimensions in inch
 1 inch = 25.4mm
 Tolerances in mm

STATUS
01

RevNo	Project # or Change request #	Date	Signature	Checked
000	PRJ.#.161.507.999.162	12.15.04	NPG	KA
001	CHA.#.161.999.266	9.15.05	NPG	KA
002	PRJ.#.161.999.282	3.1.06	NPG	KA

NOTICE
 THIS DRAWING AND ALL INFORMATION THEREON IS THE PROPERTY OF:

HÄFELE

THIS DRAWING AND INFORMATION THEREON IS CONFIDENTIAL. MUST NOT BE MADE PUBLIC, COPIED OR USED TO DISADVANTAGE OF SAID HÄFELE AMERICA CO. IT IS SUBJECT TO RETURN ON DEMAND.
 2006 HÄFELE AMERICA, CO.

Wooden shelf	541.04.235 wooden shelf
DATE: 12/15/2004	SPECIFICATION: ISO 2768-m
SCALE: A.S.	MAT: Wood
DRAWN BY: NPG	FINISH:
PUM APPROVAL: KA	CUSTOMER APPROVAL