

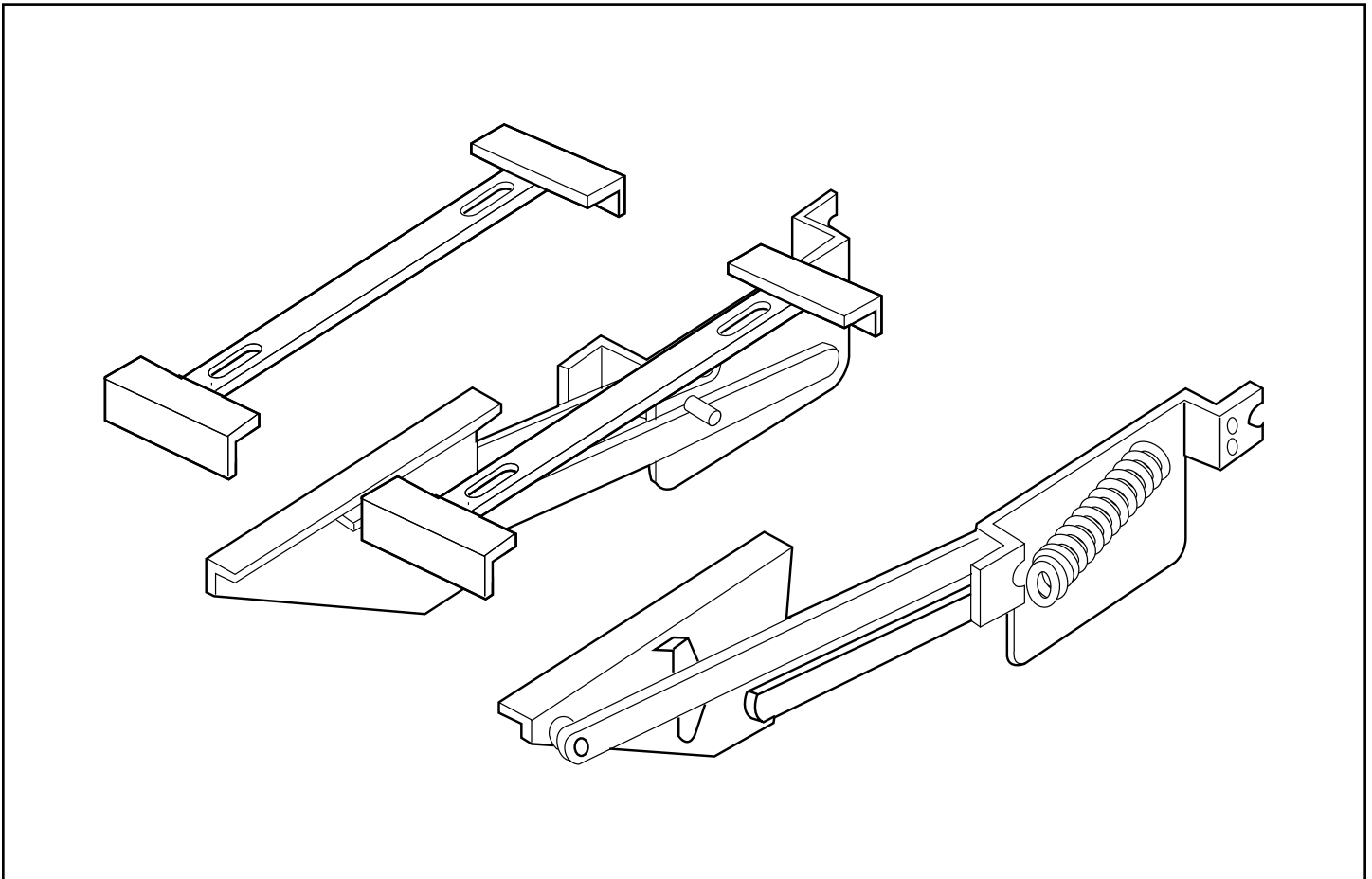
HÄFELE

Mounting Instructions

731.36.222/001

Foldaway Fittings

504.24.710
504.24.701



Catalog No.

Minimum Inside Cabinet Height (swing arc)

Minimum Inside Cabinet Depth

Inside Cabinet Width

Shelf Width

Shelf Depth

Load Capacity

504.24.710	504.24.701
470 mm (18 ½")	570 mm (22 ½")
450 mm (17 ¼")	500 mm (19 ¼")
300 mm (11 ⅞") to 600 mm (23 ⅝")	
Inside dimensions minus 70 mm (2 ¾")	
420 mm (16 ½") is recommended	
12 kg (26 lbs)	

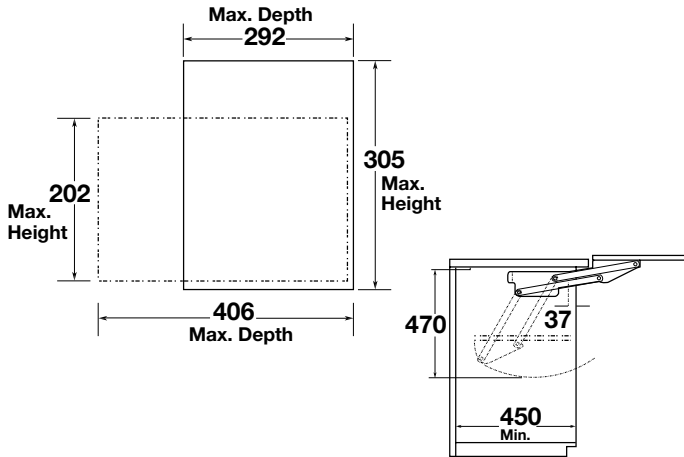
Dimensions for: 504.24.710

Stowage Dimensions

Maximum Height = 305mm (12").

Because of swing arc a 305mm high object can only be 292mm (11 1/2") deep to clear front of cabinet.

Maximum Depth = 406mm (16"). Because of swing arc a 406mm deep object can only be 202mm (8") high in order to clear front of cabinet.



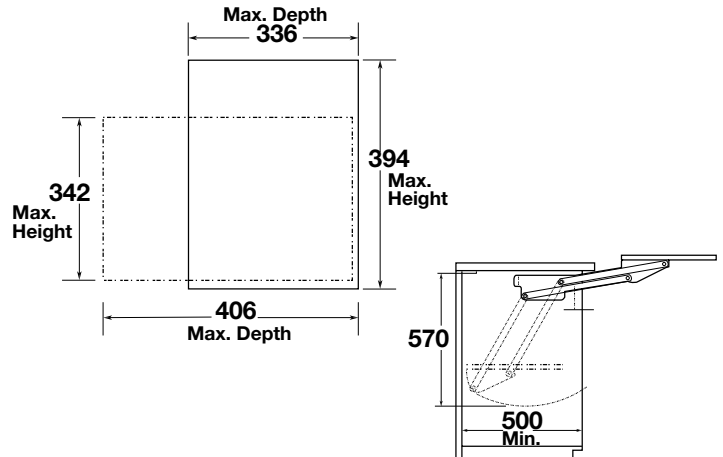
Dimensions for: 504.24.701

Stowage Dimensions

Maximum Height = 394mm (15 1/2").

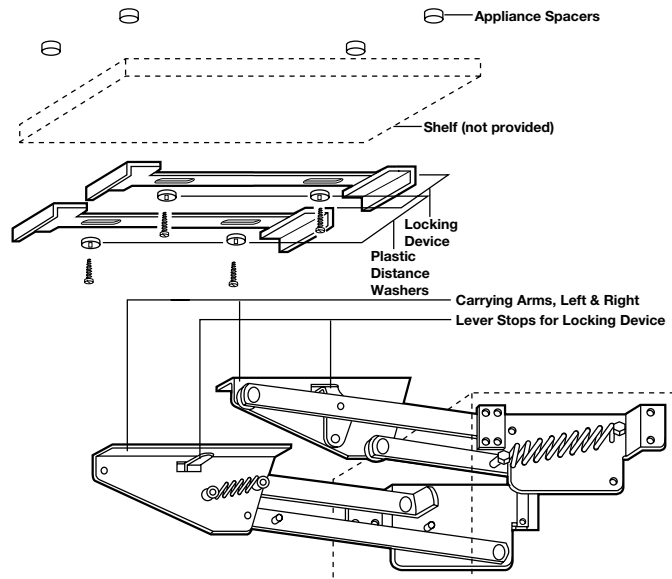
Because of swing arc a 394mm high object can only be 336mm (13 1/4") deep to clear front of cabinet.

Maximum Depth = 406mm (16"). Because of swing arc a 406mm deep object can only be 342mm (13 1/2") high in order to clear front of cabinet.



PARTS LIST

- 1 Pair of Carrying Arms, left and right
- 2 Locking Devices
- 4 Plastic Distance Washers
- 4 Plastic Appliance Spacers (7mm High)



1. Mount Carrying Arms

Attach carrying arms per drawing ①. (Recommended screws-#4 x 17(8x5/8"))

Note: Carrying arms may have to be blocked out to assure clearance of European hinges, or face frames.

2. Mount Shelf (Provided by end user)

(Length x width depends on dimensions of cabinet) Screw shelf to carrying arms being sure shelf is flush with back edge and sides of carrying arms. (Recommended screws #4 x 17 (8 x 5/8")).

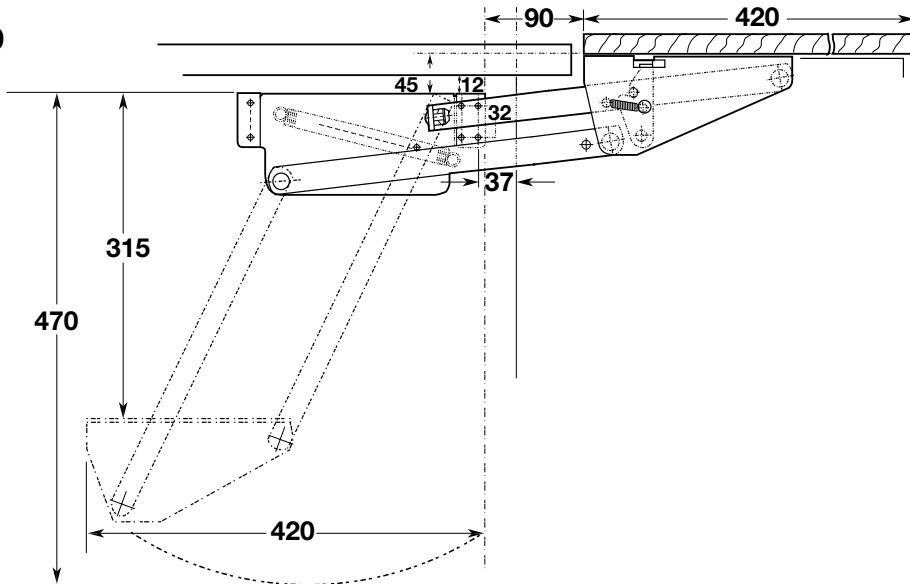
3. Locking Device

Position locking devices left and right underneath shelf in such a way that the lever stops are engaged. Be sure to fit the plastic distance washers to achieve smooth movement of locking device. (Recommended screws #3.5 x 17 (6 x 5/8")).

-For mounting of appliances, 4 distance spacers (7mm height) are supplied together with fitting.

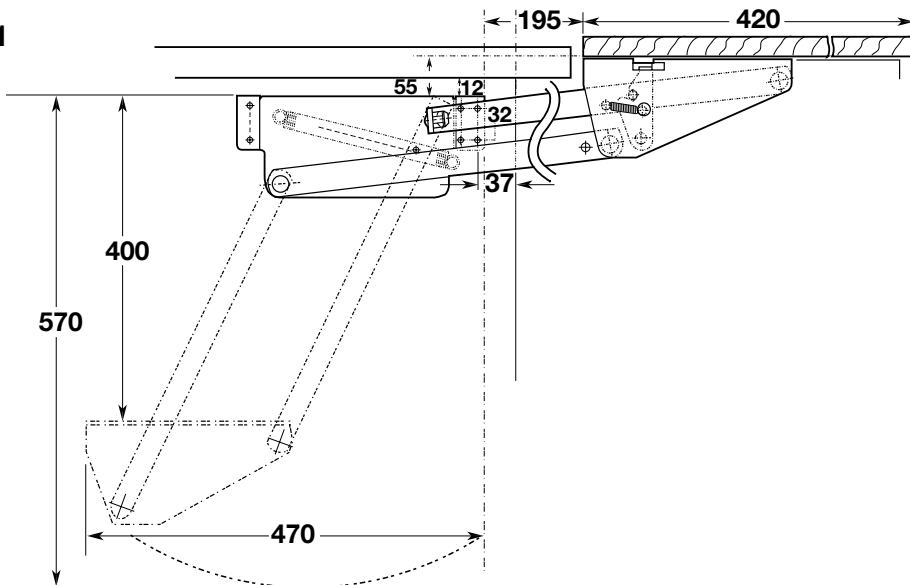
-For additional support a traverse can be added. See diagram ②.

① 504.24.710



Dimensions in mm

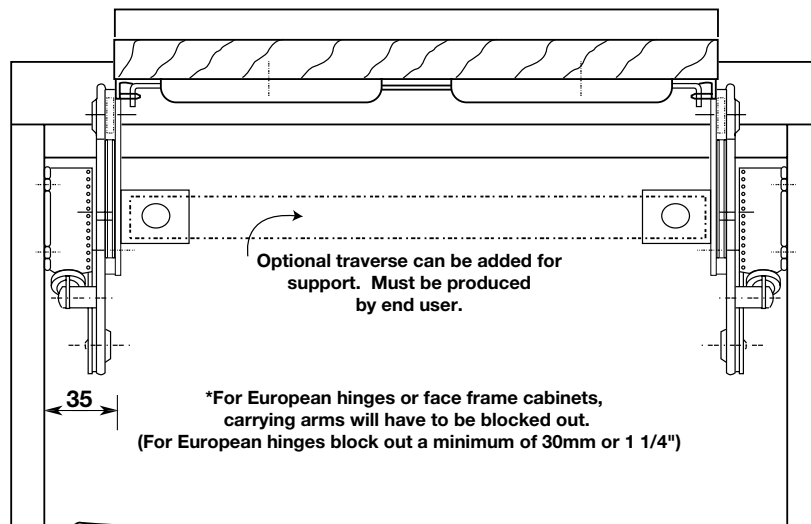
① 504.24.701



Dimensions in mm

②

*Inside Dimension
Minus 70mm



Dimensions in mm

HÄFELE

1-800-423-3531

Fax: 336-431-3831

Häfele America Co. • 3901 Cheyenne Dr. • Archdale, NC 27263 • USA