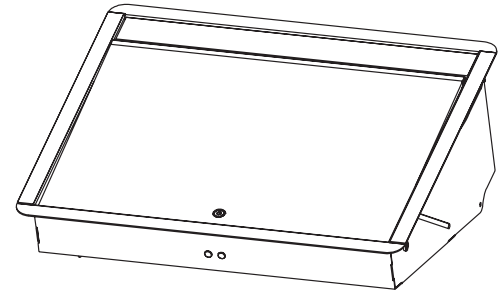


Item No.: 639.84.300

Smart Deck



PARTS & HARDWARE LIST

- 1 Smart Deck Assembly
- 2 010-4193 - Hold Down Clips
- 2 030-0325 - 1/4-20 x 1/2" Combo Screws
- 2 030-0701 - 1/4-20 Extruded "U" Nuts
- 2 030-0253 - 1/4-20 x 3/4" Combo Screws

NOTE: Screws for attaching your monitor are **NOT included**. If your monitor did not come with mounting screws, consult the manufacturer. Failure to use correct screws could result in damage to your monitor.

CAUTION: WHEN LOCATING YOUR CUT-OUT, CHECK BELOW YOUR WORKSPACE FOR ANY OBSTRUCTIONS THAT MAY INTERFERE WITH INSTALLATION. ADJUST ACCORDINGLY.

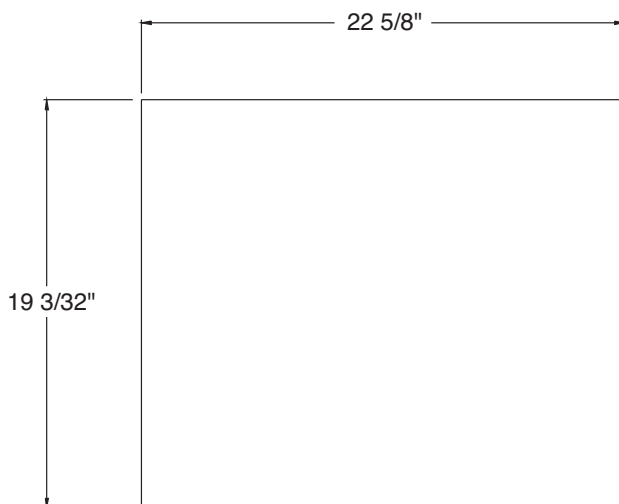


FIGURE 1

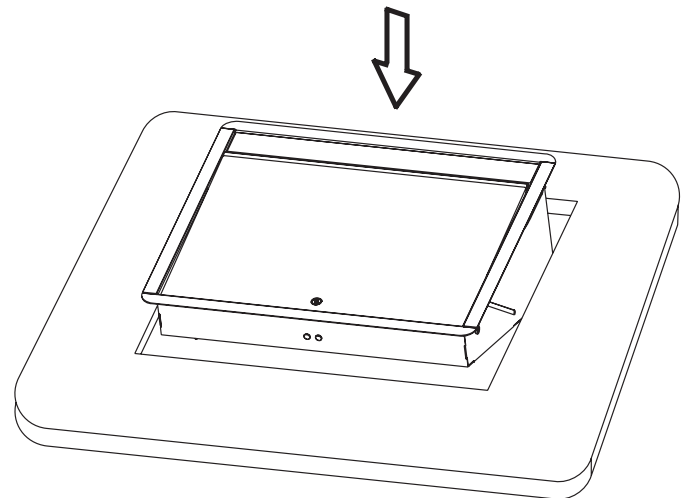


FIGURE 2

STEP 1

First cut a 22 5/8" x 19 3/32" hole in your desired surface. Reference FIGURE 1. Then place your Smart Deck into the hole and align as shown in FIGURE 2.

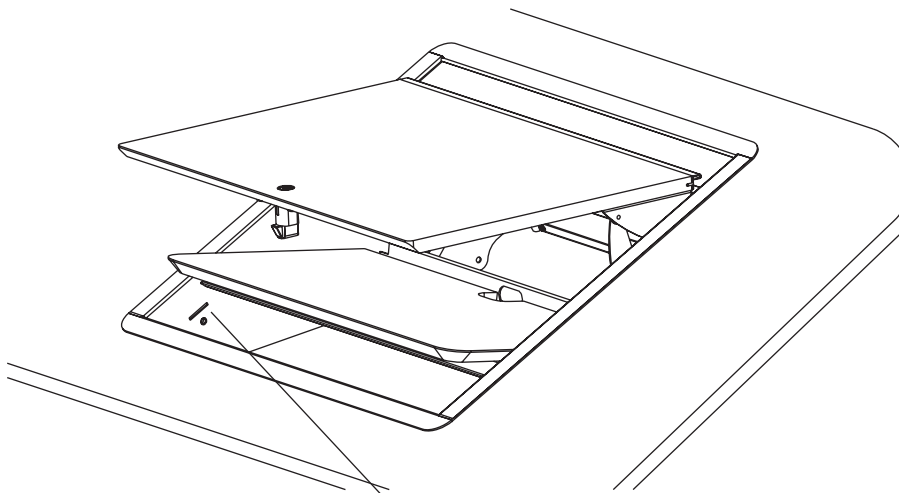
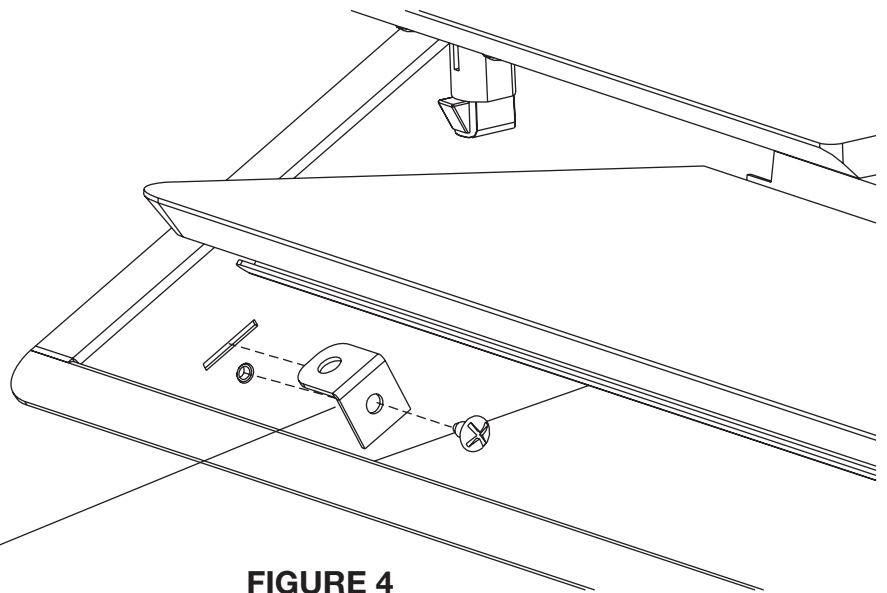


FIGURE 3

Partially Open Top
to Expose Slot

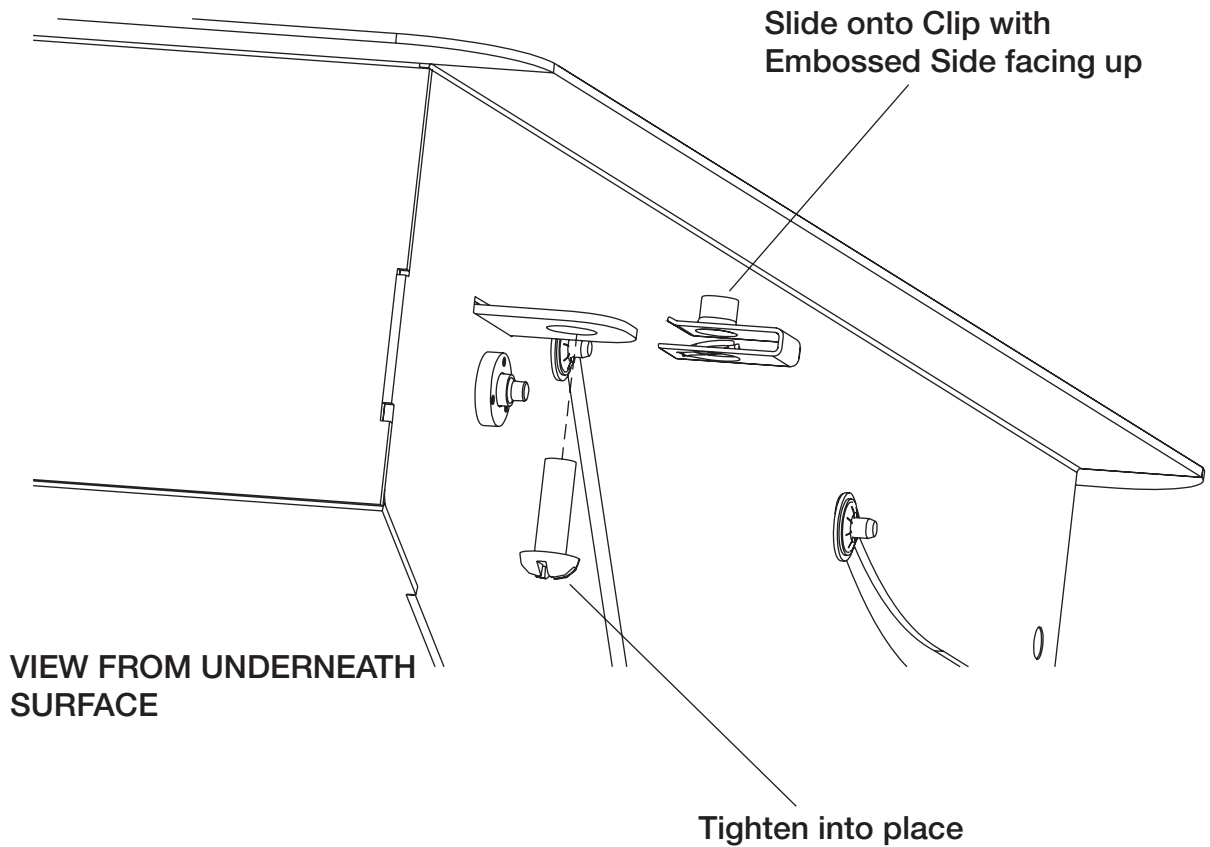


Insert Round
Edge into Slot

FIGURE 4

STEP 2

Partially open top to expose side slot as shown in **FIGURE 3**. Insert a clip (round edge through slot) into side slot and secure in place with 1/4-20 x 1/2" screw (the shorter one). Reference **FIGURE 4**.



STEP 3

Before securing, double check that Smart Deck is squared up properly. Then from underneath, slide extruded nut onto clip with embossed side facing up as shown. Insert 1/4-20 x 3/4" screw as shown and tighten.

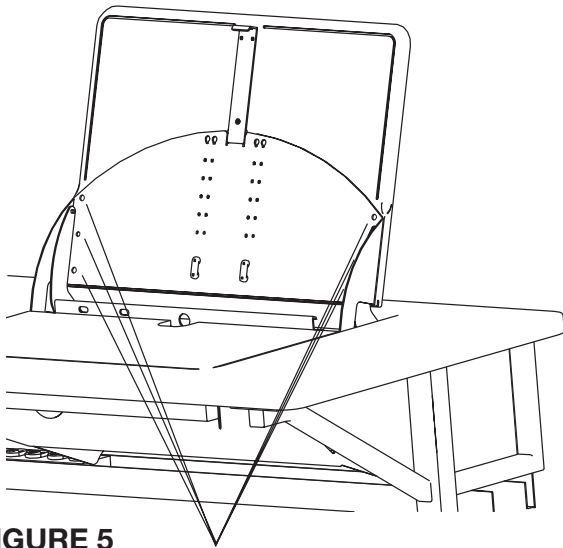


FIGURE 5
Remove the 6 screws
and detach the wood top.

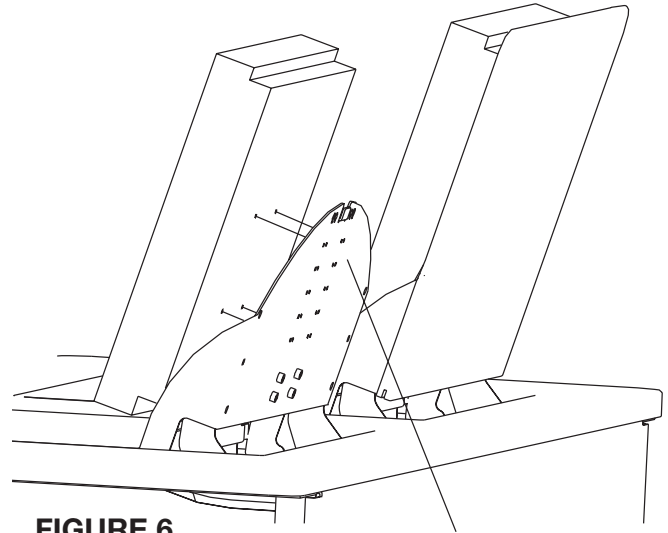
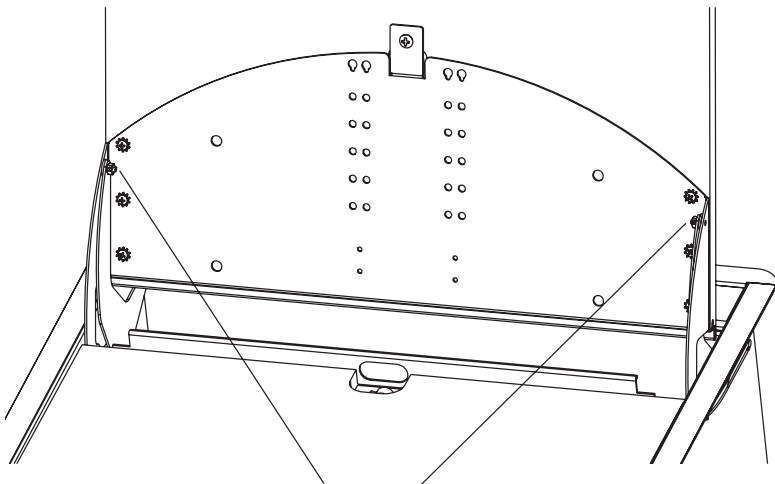


FIGURE 6
Align monitor with holes and
attach screws that came with
the monitor.

Remove the 6 screws shown in FIGURE 5. Detach the wood top and set aside. Attach your monitor as shown in FIGURE 6. **NOTE:** Screws for mounting monitor are **NOT** provided with the Smart Deck. Reattach the wood top.



Once your monitor is attached, the tension on the door may need to be adjusted. If necessary, tighten nuts referenced above.

NOTE: Your Smart Deck comes with its own lock which is also the button for releasing the top. The lock comes with 2 keys, each with a number on it. Write down the number and keep it in a safe place. Contact Häfele to request replacement keys.

HÄFELE

3901 Cheyenne Drive
P.O. Box 4000
Archdale, NC 27263
1-800-423-3531
www.hafele.com