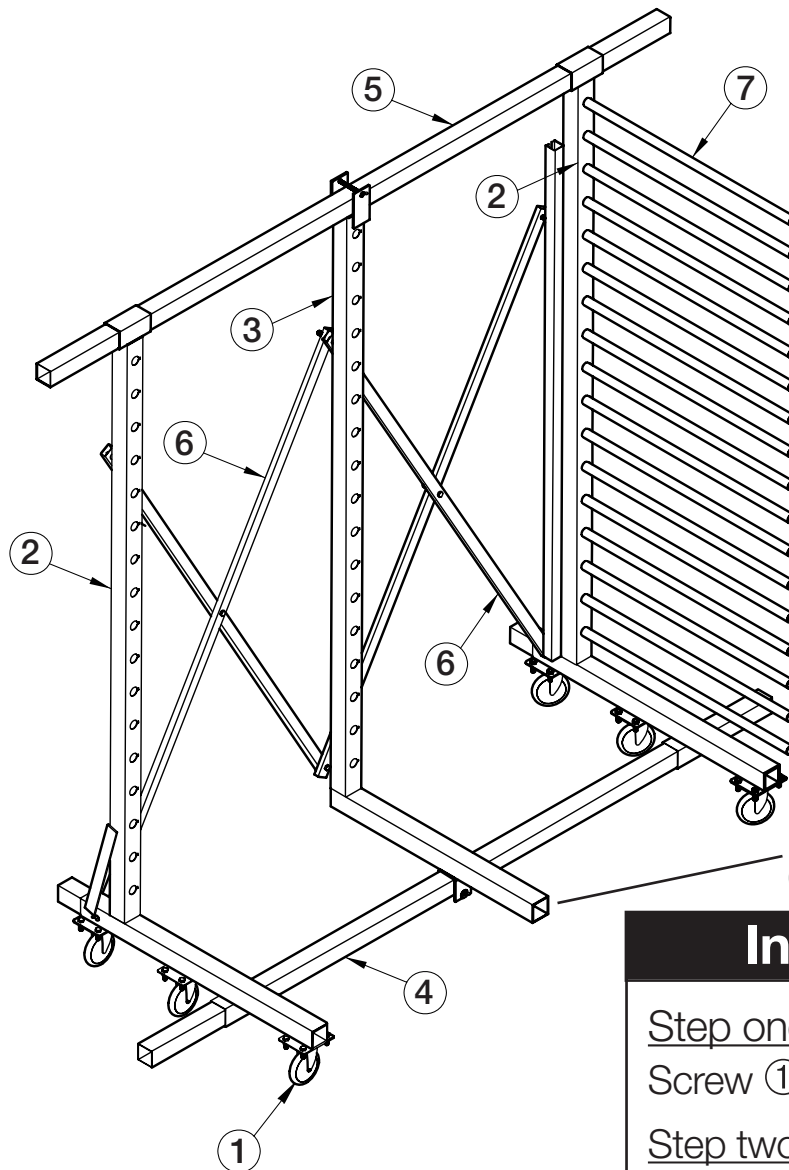


Mounting Instructions

HÄFELE

Item No.: 007.91.079

Panelflex Storage Rack



Note ③ must be ordered separately
(007.91.088)

Installation Process

Step one:

Screw ① Caster into ② L-Shape Frame.

Step two:

Install ④ ⑤ Top and Bottom Bar into ② and ③ optional L-Shape Frame.

Step three:

Install ⑥ Cross Trestle into ②.

Step four:

Insert ⑦ PVC Coated Rods into ② and ③ L-Shape Frame.

3901 Cheyenne Drive
P.O. Box 4000
Archdale, NC 27263
1-800-423-3531