

Mounting Instructions

HÄFELE

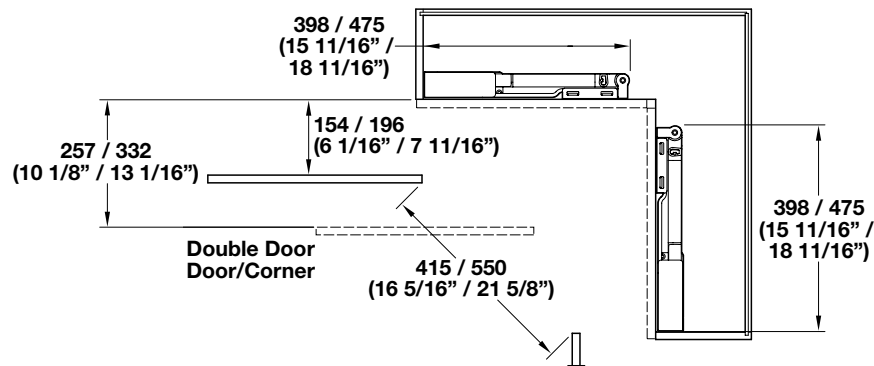
Item No.: 407.32.906, 407.32.907

Pegaso

Swing Opening



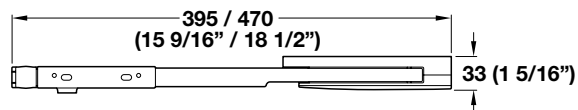
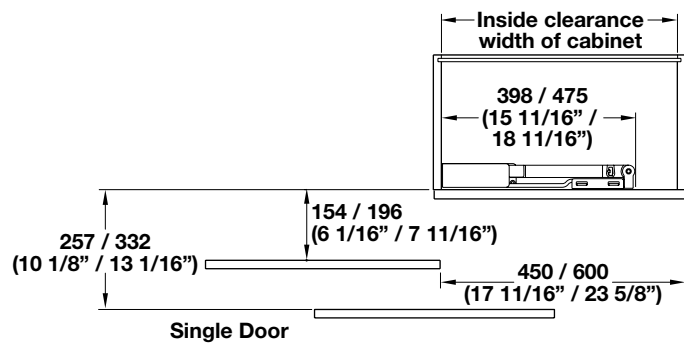
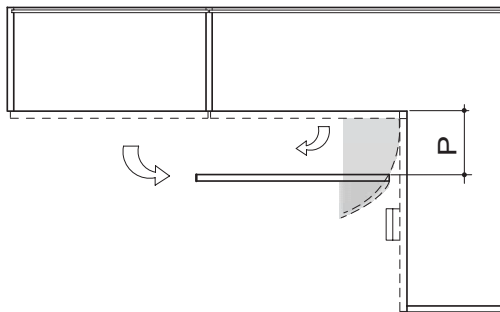
Technical data



For protruding handles please consider the needed space for the mechanism

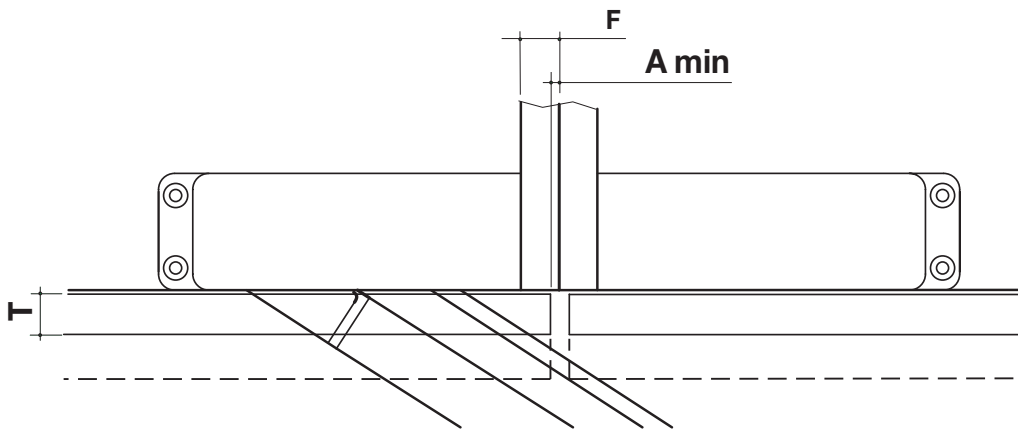
P=154-407.32.906

P=196-407.32.907

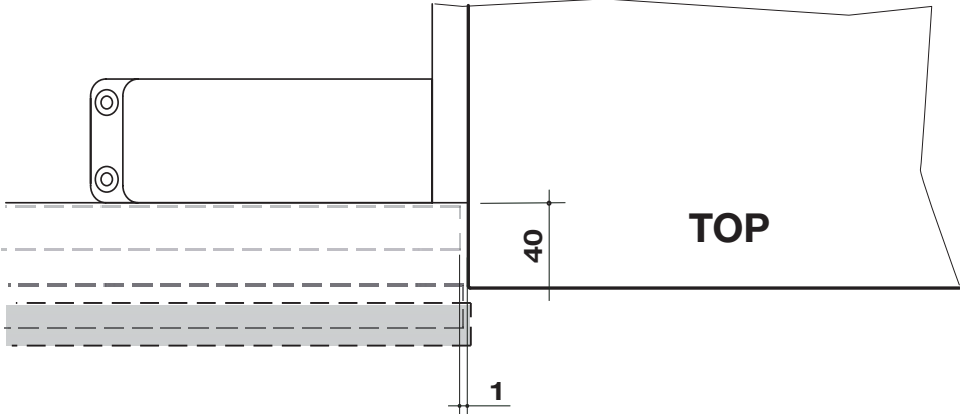


Door-cover with line-configuration

	T=18	T=19	T=20	T=22	T=24	T=26	T=28	T=30	T=32	T=35
F=9	A=1	A=1	A=1	A=1	A=3	A=7	A=**	A=**	A=**	A=**
F=10	A=1	A=1	A=1	A=1	A=3	A=6	A=9	A=**	A=**	A=**
F=12	A=1	A=1	A=1	A=1	A=1	A=4	A=7	A=10	A=**	A=**
F=14	A=1	A=1	A=1	A=1	A=1	A=2	A=5	A=8	A=11	A=**
F=15	A=1	A=1	A=1	A=1	A=1	A=1	A=4	A=7	A=10	A=**
F=16	A=1	A=1	A=1	A=1	A=1	A=1	A=3	A=6	A=9	A=14
F=18	A=1	A=1	A=1	A=1	A=1	A=1	A=1	A=4	A=7	A=12
F=19	A=1	A=1	A=1	A=1	A=1	A=1	A=1	A=3	A=6	A=11
F=20	A=1	A=1	A=1	A=1	A=1	A=1	A=1	A=2	A=5	A=10
F=22	A=1	A=1	A=1	A=1	A=1	A=1	A=1	A=1	A=3	A=8
F=25	A=1	A=1	A=1	A=1	A=1	A=1	A=1	A=1	A=1	A=5
F=28	A=1	A=1	A=1	A=1	A=1	A=1	A=1	A=1	A=1	A=2
F=30	A=1	A=1	A=1	A=1	A=1	A=1	A=1	A=1	A=1	A=1

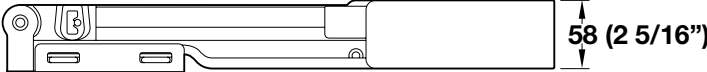


The mechanism overcomes a projection of 40 mm with 1 mm seam

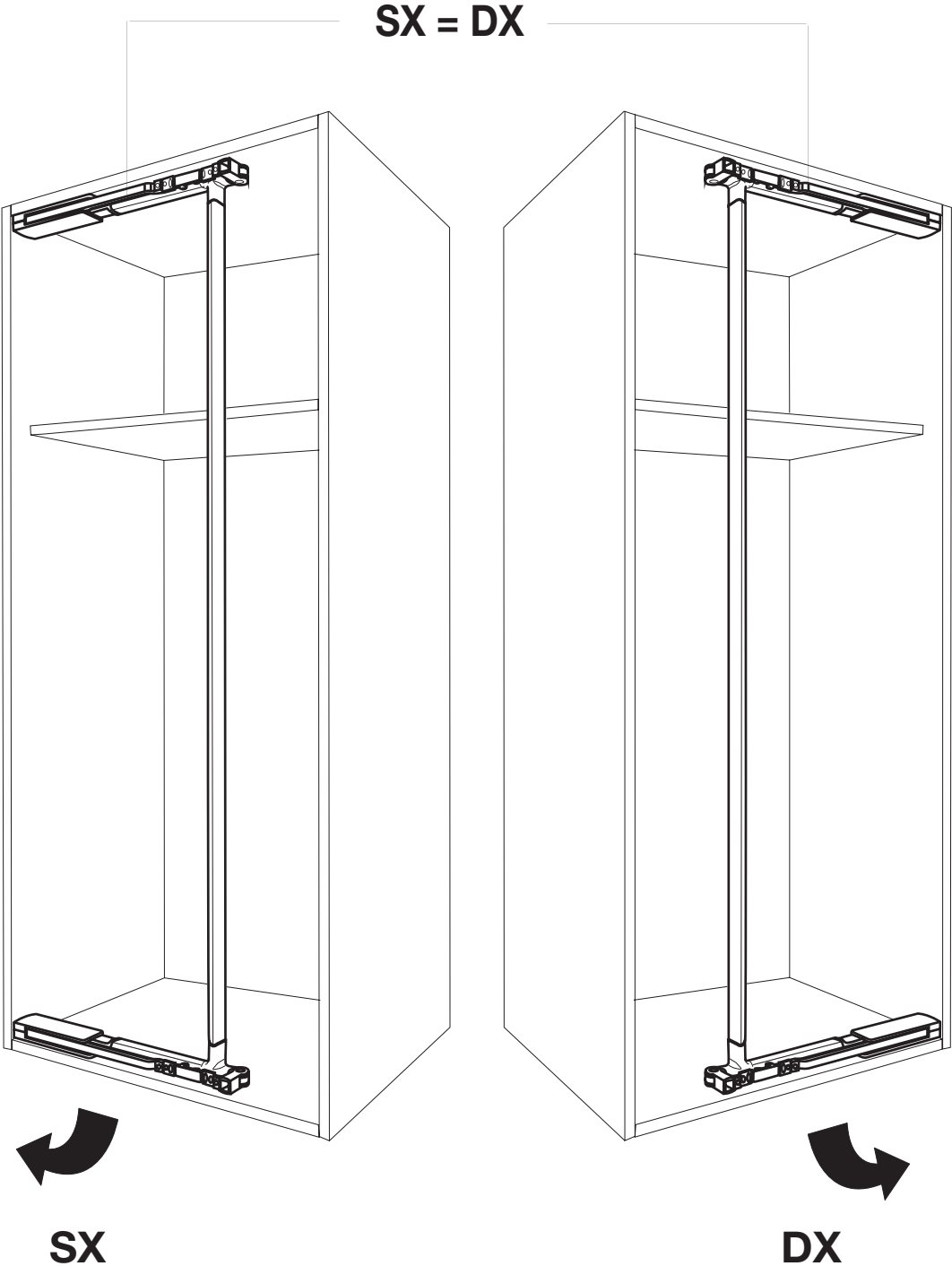


Shelves

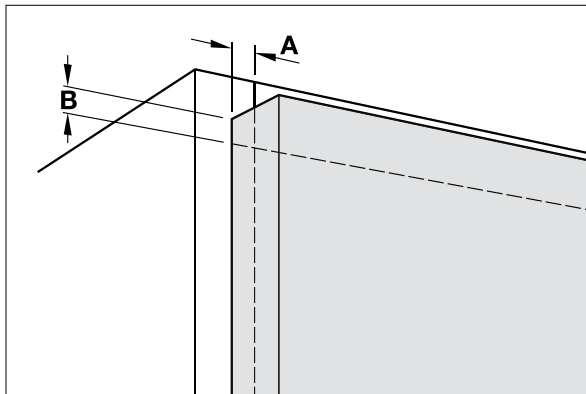
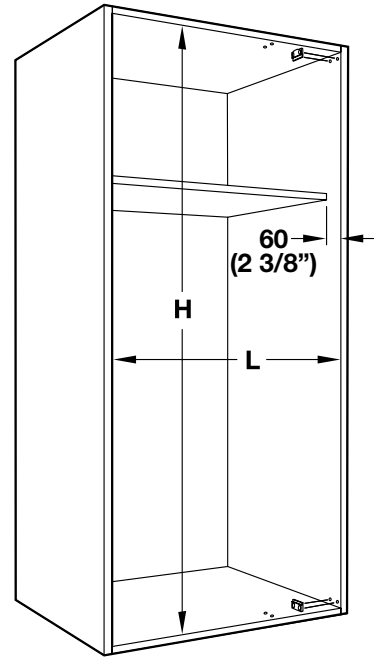
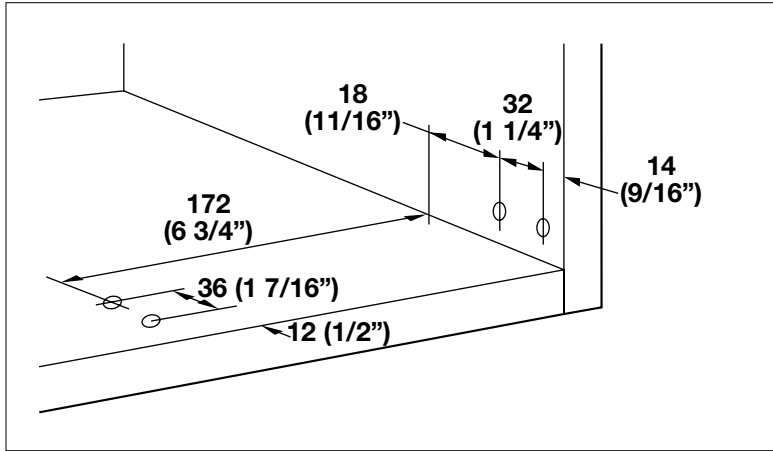
The shelves must be shorter than the cabinet inner depth in order to avoid the stabilization bar



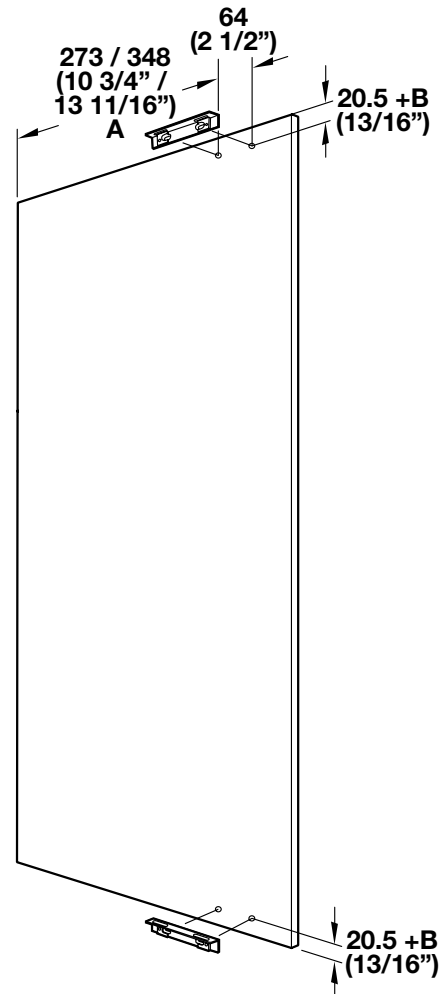
One mechanism for left and right opening



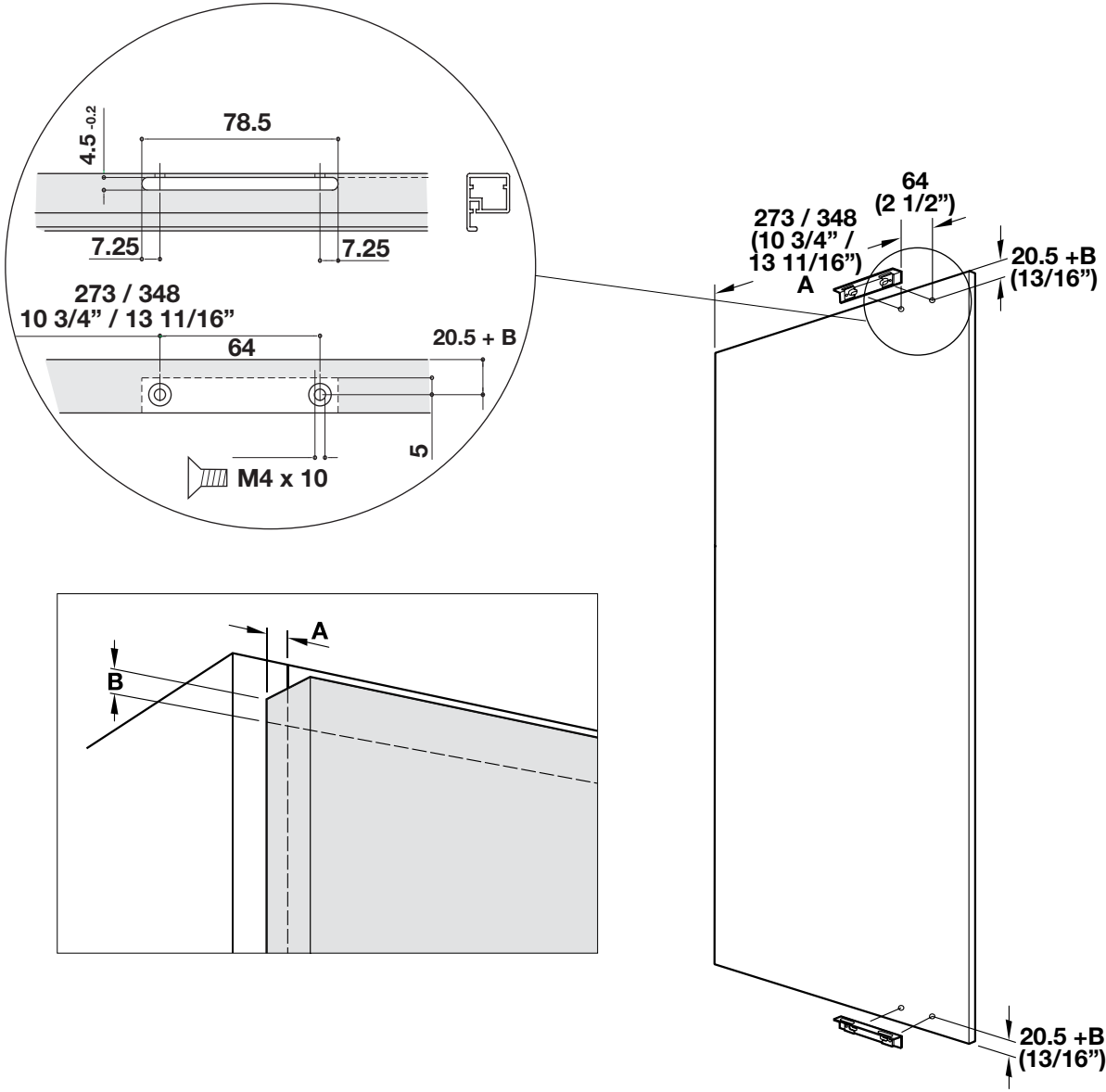
Drilling of furniture



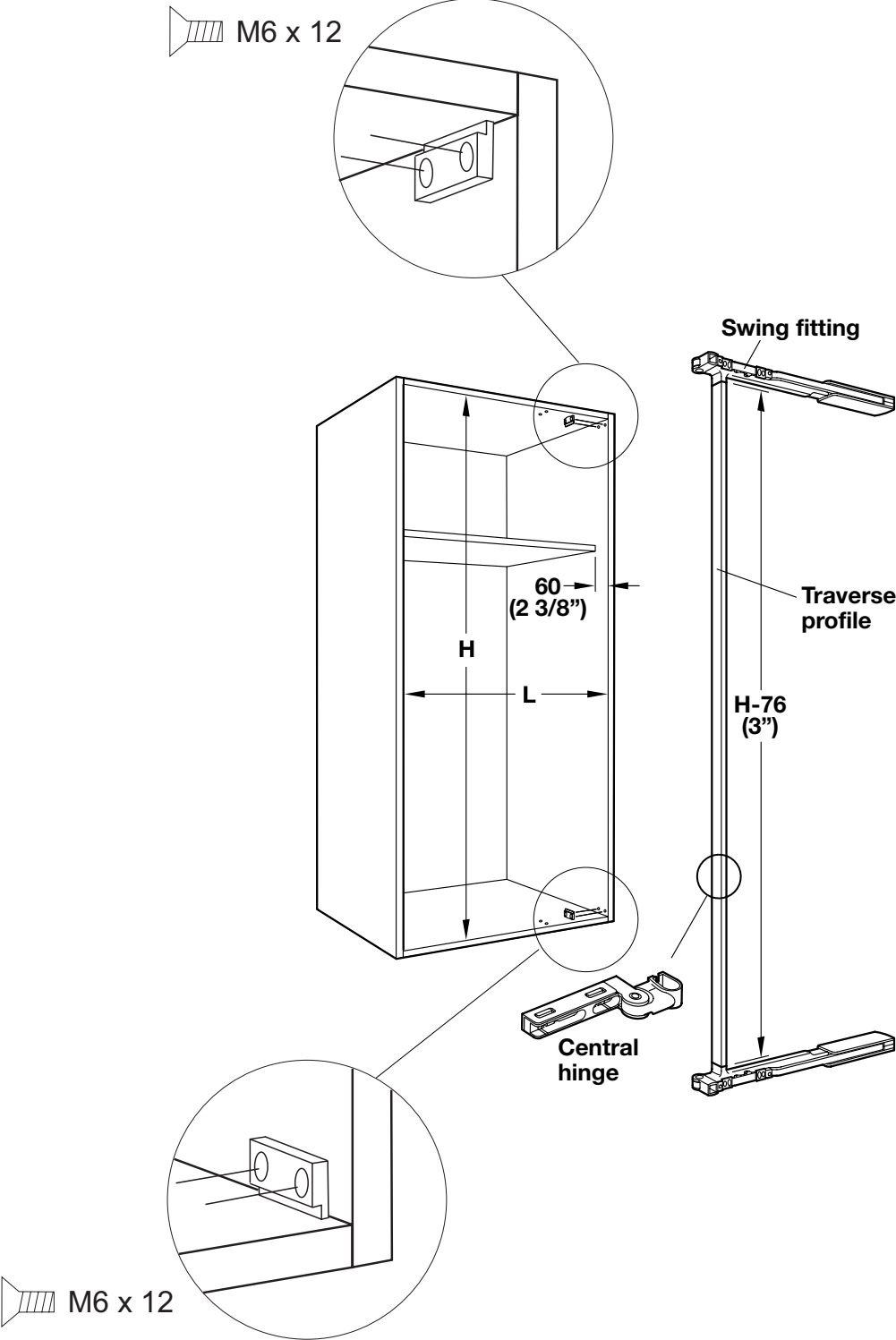
Drilling of doors Holes $\varnothing 8 \times 15$



Drilling of furniture

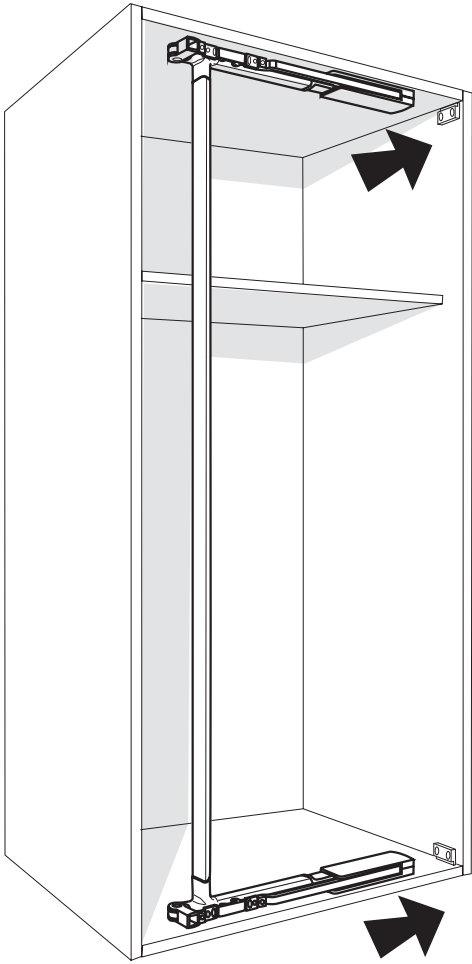


Pre-assembling PEGASO

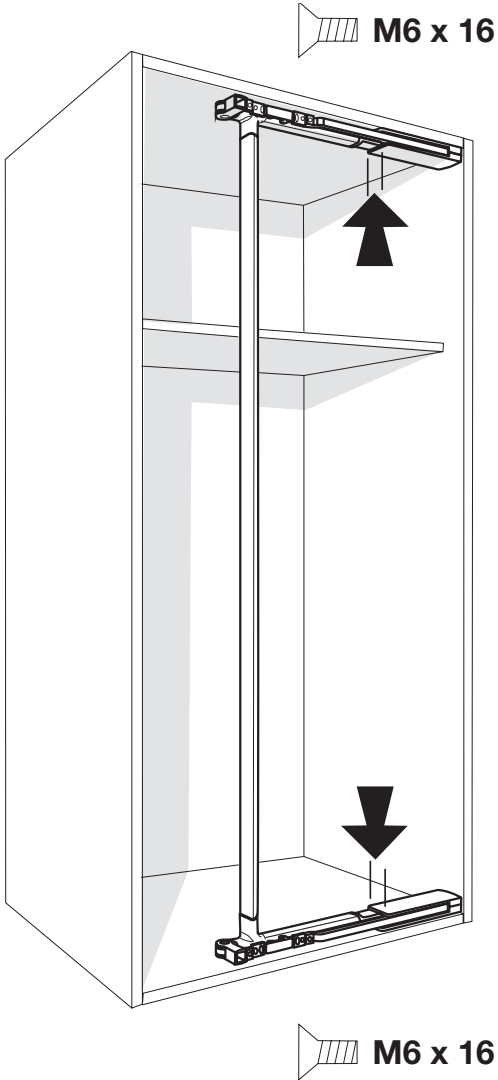


Assembling PEGASO

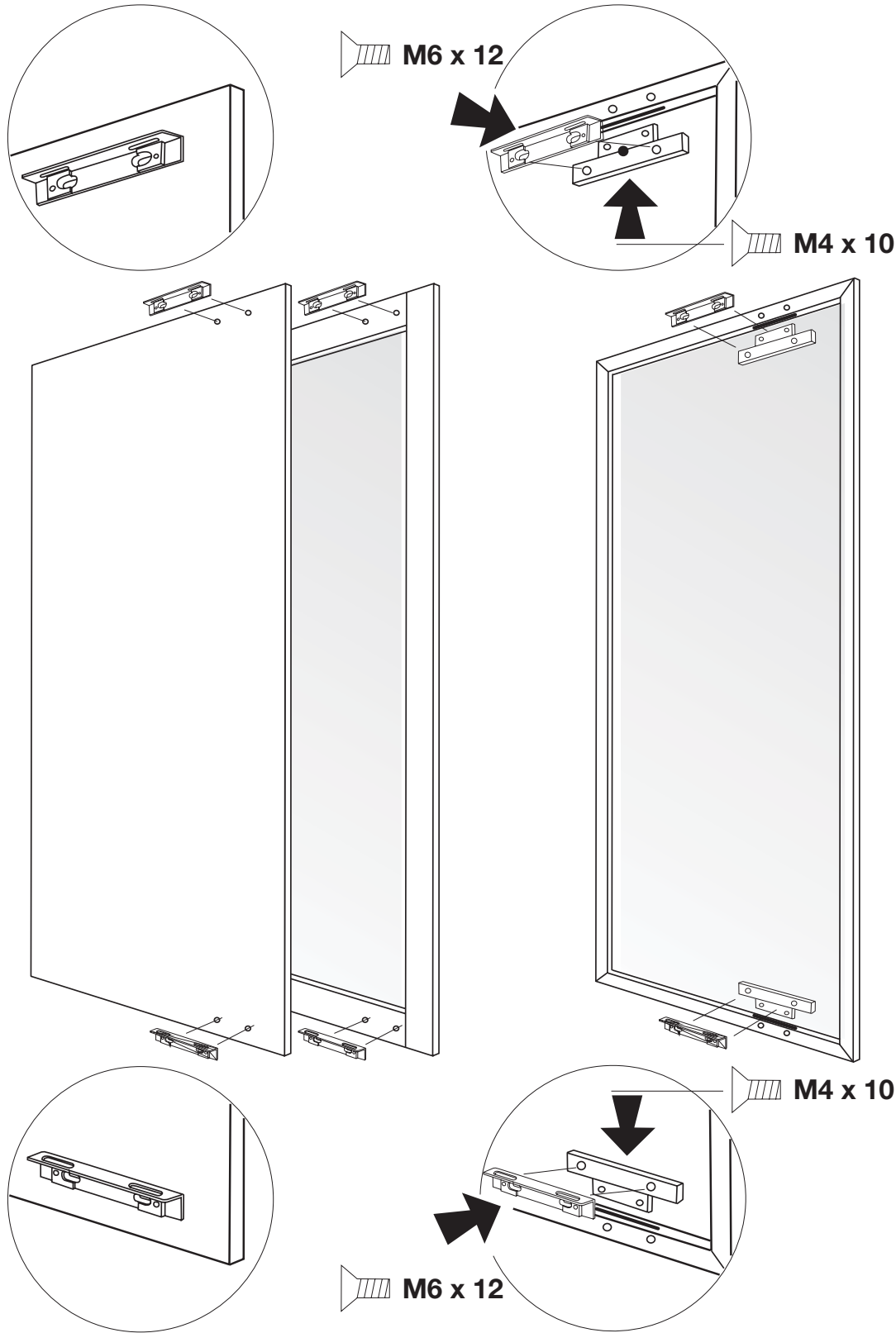
1. Position mechanism



2. Fix with screws

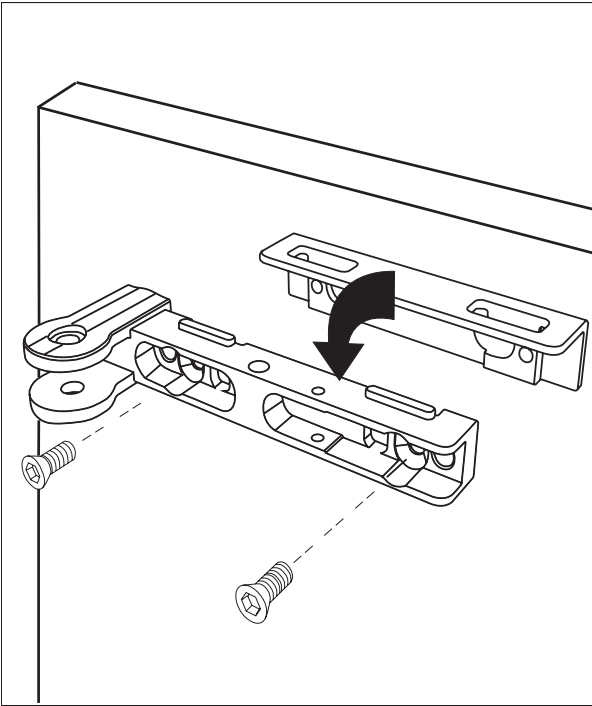


Pre-assembling doors

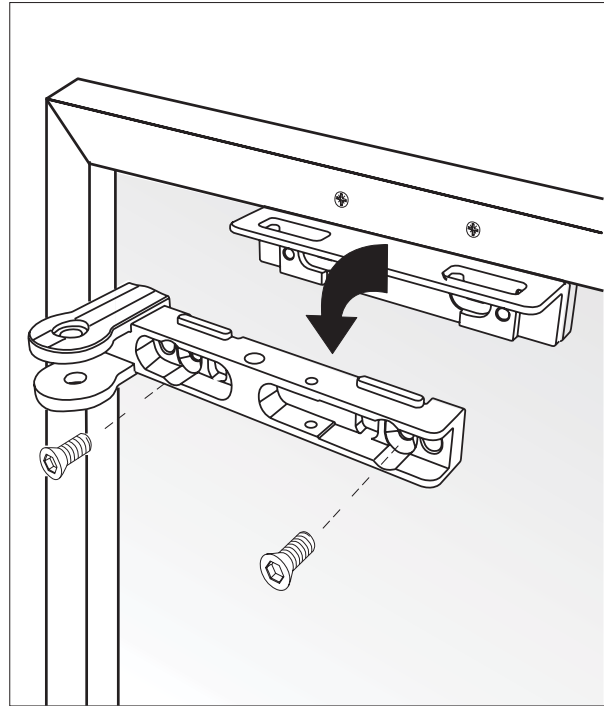


Assembling doors

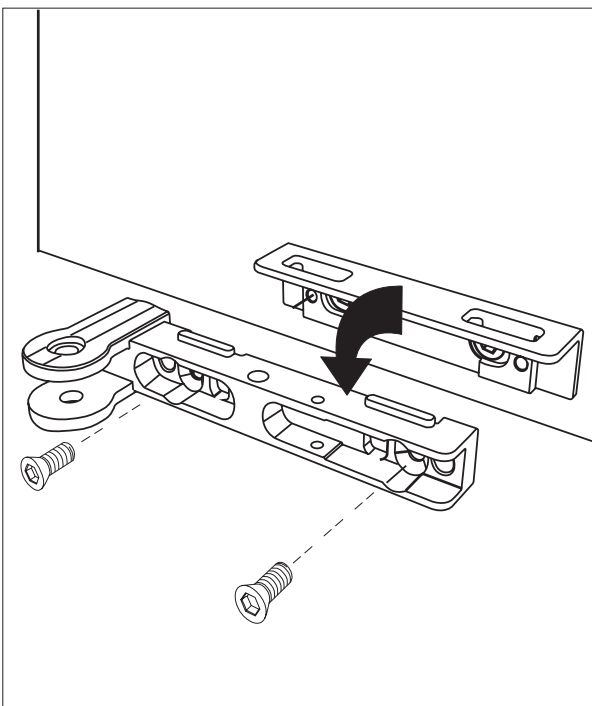
1. Hang-on door



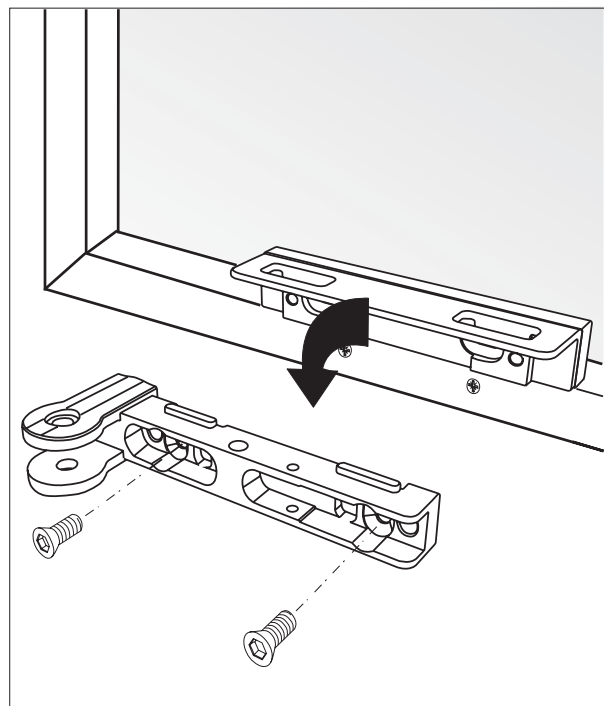
1. Hang-on door



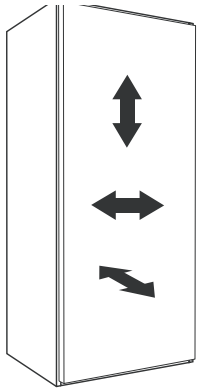
2. Fix screws



2. Fix screws



Regulations door



Vertical regulation



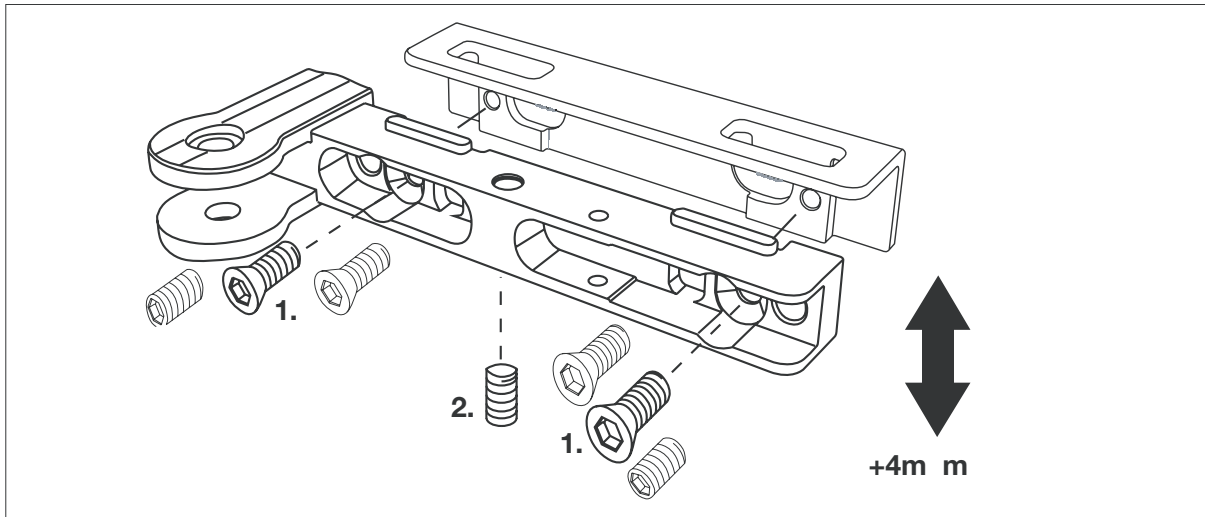
Frontal regulation



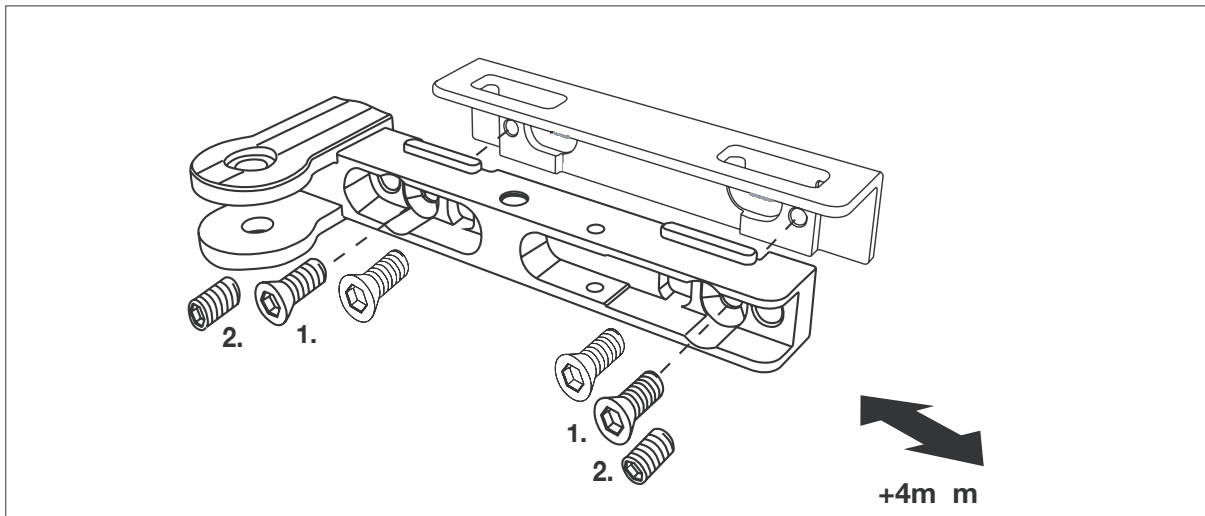
Lateral regulation



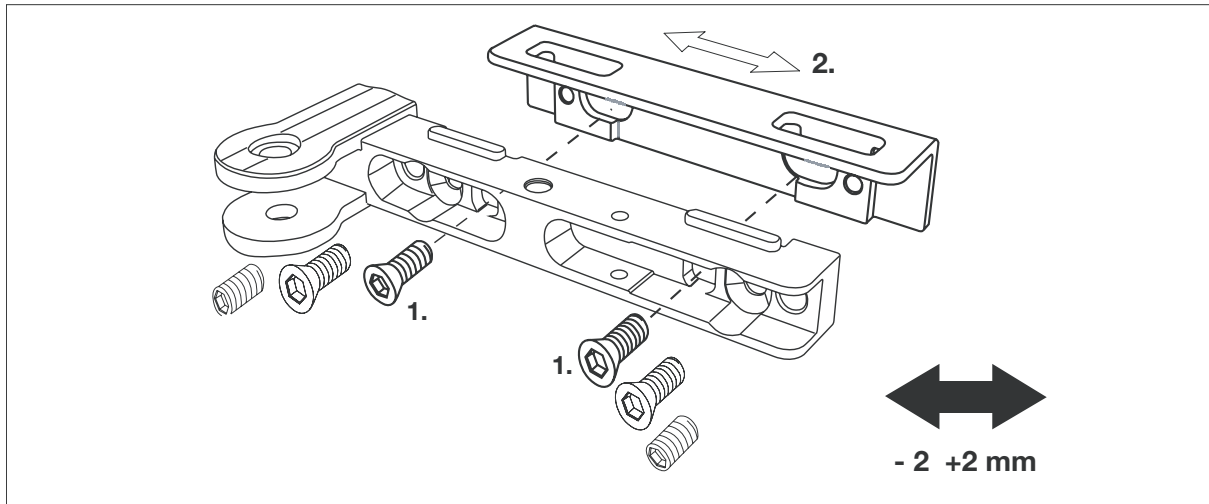
1. Loosen mounting screws
2. Set height with superior screw



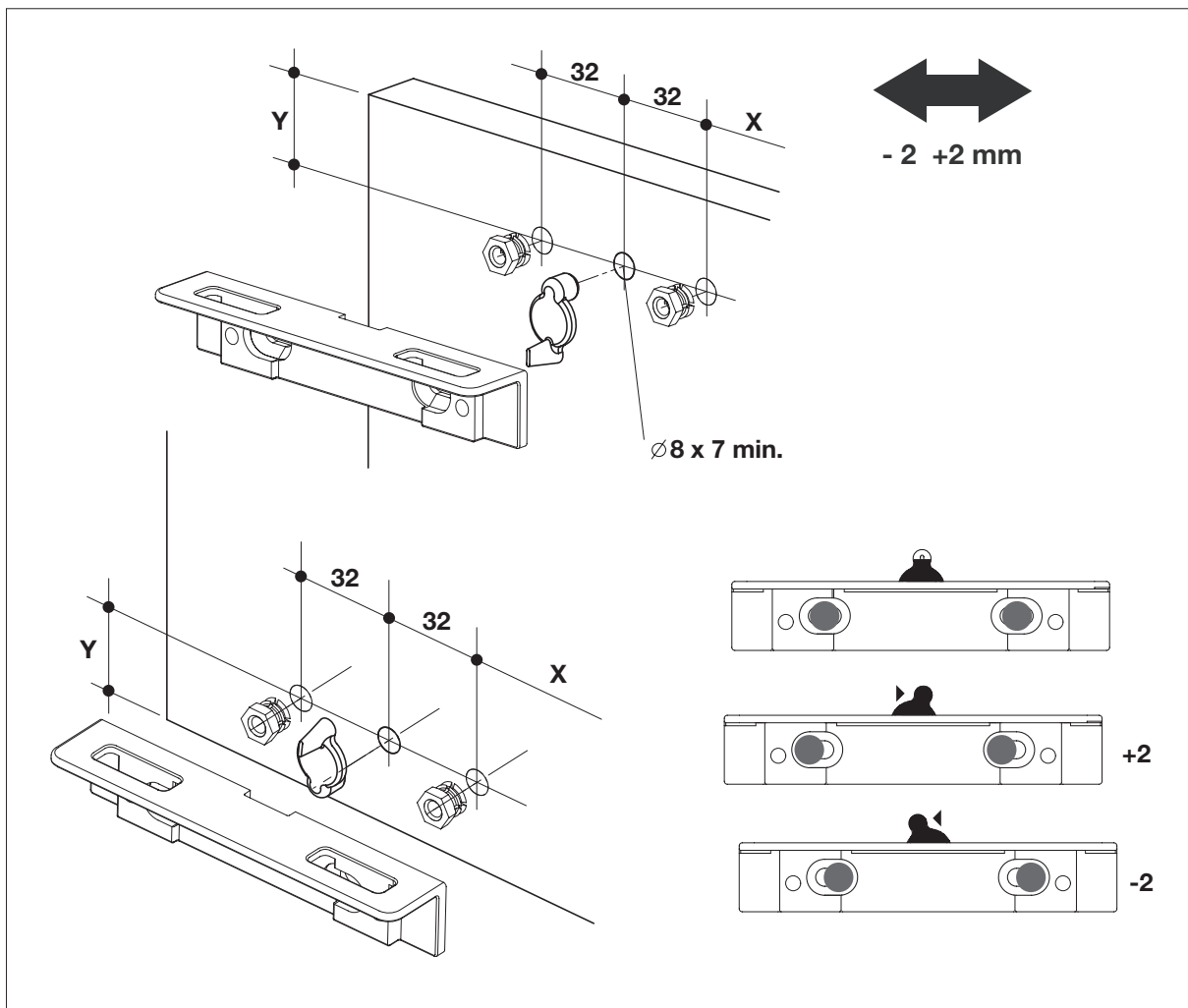
1. Loosen mounting screws
2. Fix screws



1. Loosen mounting screws
2. Move door



Horizontal regulation "optional"



HÄFELE

3901 Cheyenne Drive
 P.O. Box 4000
 Archdale, NC 27263
1-800-423-3531
www.hafele.com