

Mounting Instructions

Item No.: 231.53.54X, 231.53.82X, 231.53.83X, 231.53.87X

HÄFELE

SAFE-O-MAT®

Series S-6 for Steel Lockers



Warranty

SAFE-O-MAT® locks are guaranteed against defects in material and workmanship for a period of one year after the date of shipment under normal use, care and service. Deliberate destruction, vandalism and damage resulting from faulty installation is not covered by this warranty.

Any repairs, adjustments or replacements will be made upon return of defective items to the United States sales office by prepaid shipment. SAFE-O-MAT® locks will not be liable for any amount greater than the original purchase price of the defective item, plus the initial shipping cost.

Contents

Warranty	2
Introduction	3
Lock Keys	3
Coin Release Button	3
Lock Deadbolt	3
Coin or Token Operation	3
Return or Collect Operation	3
Installation	4-5
Maintenance	6
Lubrication Every Six Months	6
Ordering Keys	6
Replacing Lost Keys	6
Removing a Broken Key	7
Lock Set Up	8
Setting Coin or Token	8
One or Two Coin Operation	8
Dadbolt Conversion	10
Convert to Collect Operation	10
Lock Removal from Locker Door	11 - 12
Lock Diagram	14
Lock Parts List	15
Key Parts List	16
Decal Parts	16
Adapter List	16
Tools and Tokens	16

Introduction

The Series S-6 Lock is intended to be used with steel lockers. It can be used as a return lock or collect lock.

The Lock can accept a deposit of one token or one or two coins (quarters). The User Key cannot be removed unless the correct deposit is inserted.

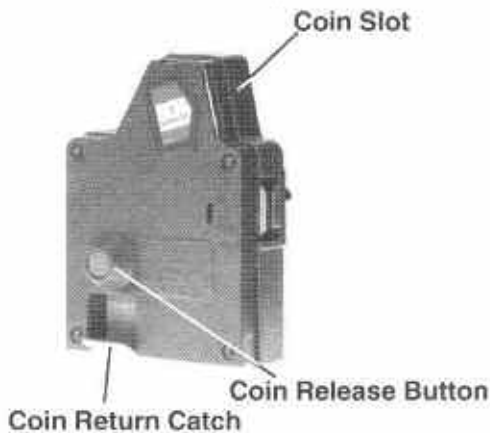


Figure 1 – Series S-6 Deposit Lock

S-6 Lock Keys

User Key

Each Lock ships with a User Key inserted into the Cylinder. This Key will only work with that Cylinder. Should the Key be lost or damaged, a new User Key must be purchased and installed in the Lock.



Figure 2 – User Key

Lock Master Keys

Each Lock order is shipped with two Master Keys. The Master Key can be used to open the locker when the locker is in use.

If the Lock is set for Return Operation, the locker can be opened with the Master Key and the deposit removed. If the Lock is set for Collect Operation the coin box can be accessed with a cash box key.



Figure 3 – Master Key

Coin Release Button

Pressing the Coin Release Button (refer to Figure 1 and Figure 4) before locking will return the deposit to the Coin Return Catch. Pressing the Coin Release Button and turning the User Key simultaneously will normally clear jams in the Coin Slot.

Lock Deadbolt – Springbolt

The Lock is set at the factory for deadbolt or springbolt operation. The operation can be changed by disassembling the Lock and reversing the Bolt (refer to page 7 for more information).

Coin or Token Operation

Lock can be set for coin (one or two quarters) or token operation. Refer to page 7 for information about lock disassembly and setting.

When Locks are set to accept coins, the Lock will not accept any coin larger than a quarter. Coins smaller than a quarter fall directly into the coin return catch.

When set to accept tokens, only a special grooved token (supplied by SAFE-O-MAT®) will pass through the insertion plate.

Return or Collect Operation

S-6 Locks can be converted from Return Operation (returns the Deposit when the key unlocks the locker) to Collect operation by adding a Coin Box. Refer to page 5.

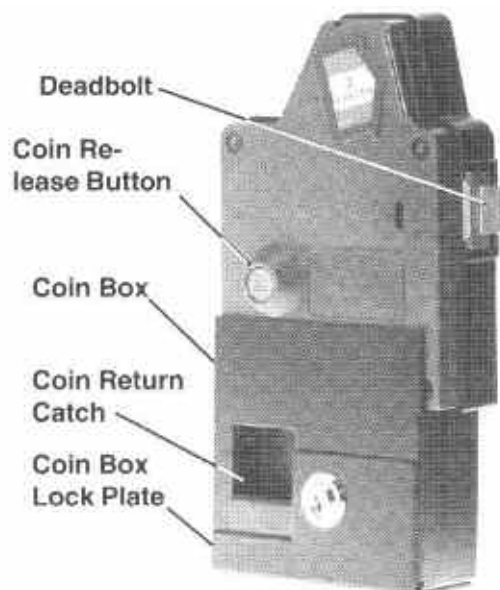


Figure 4 – Series S-6 Collect Lock

Installation

Note: Series S-6 Locks cannot be mounted on the left hand locker doors.

1. These locks fit the standard three-hole pattern of most lockers. Only drill the lower 3/16 inch diameter hole for Collect Lock installations.

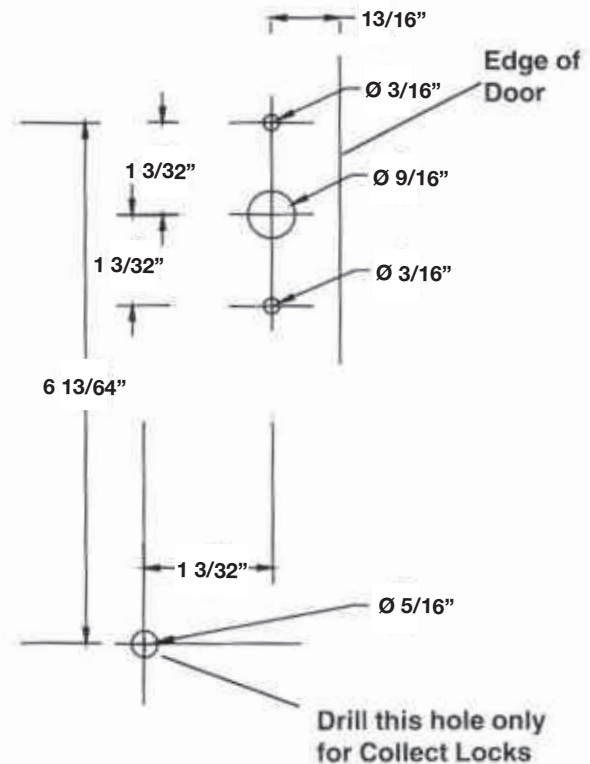
Note: Compare the hole pattern with the Lock before drilling any holes!

2. If mounting a Lock to a recessed locker front, go to step 3 on page 5.

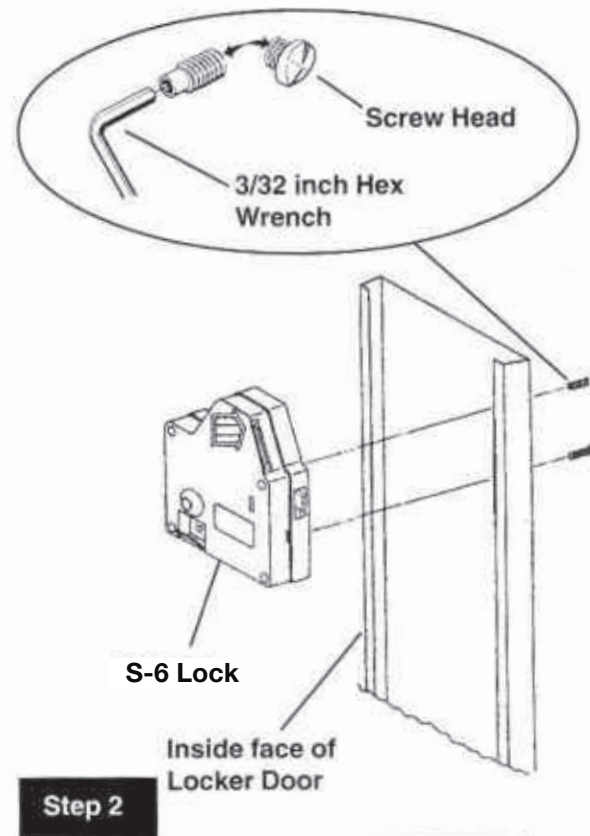
To fasten the Lock directly to a locker door, insert and tighten the two one-way mounting screws.

Note: The screw head does not have a conventional slot and can only be rotated clockwise by a blade screwdriver or with a one-way bit. Once the one-way screw is engaged with the threaded hole, it can only be removed or rotated counterclockwise by disassembling the Lock Mechanism and unscrewing with a 3/32 inch Hex Wrench inserted into point of the screw (see illustration at the right). See page 11, Step 1.

If this is a Collect Lock, skip to step 4.



Step 1 Drill holes in the door face



- Using a blade screwdriver or a one-way bit, fasten the Lock to the locker door using two one-way mounting screws. Pass the screw through the Recessed Adapter and then into the Lock and tighten.

If this is a Collect Lock, go to step 4.

Refer to page 16 for a list of Recessed Adapter part numbers.

- To install a Coin Box:
Before installing the Coin Box, make sure that one or two coin operation is set and that the Insert Plate is set for coin or token operation.

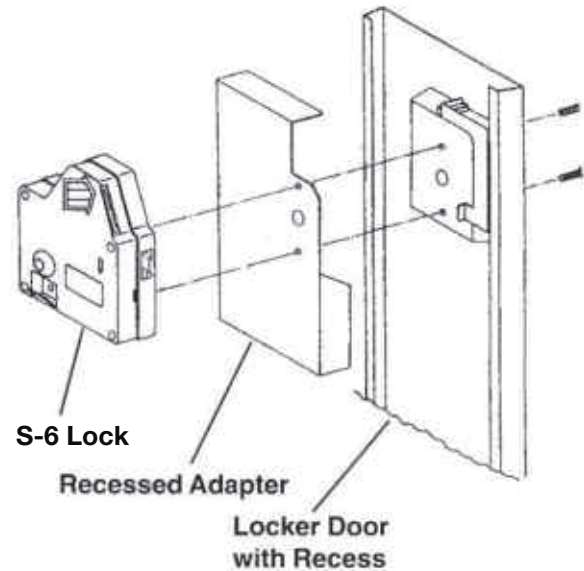
Refer to the S-6 Convert to Collect Operation, Step 2, on page 10 for setting the Coin Deflector Plate and Coin Return Catch.

Slide the Coin Box upward onto the lock as far as it will go.

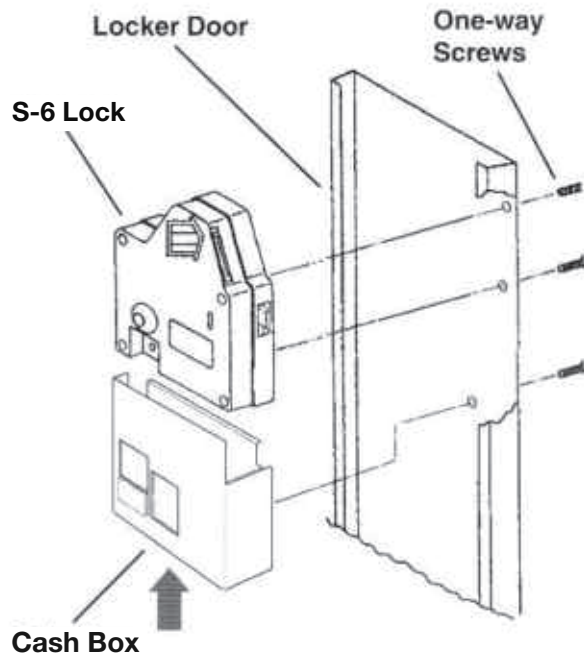
Insert a third screw into the lower hole and tighten.

Install the Coin Box Lock Plate.

- Make sure the Lock works by inserting a deposit, locking the lock (with the door in the open position), and withdrawing the Key. Unlock the lock and make sure that the deposit was released by the Coin Holder.



Step 3



Step 4

Maintenance

Lubrication Every Six Months

Apply a silicone spray such as WD-40™, to the Lock Cylinder.

Whenever it is difficult to insert a Key or turn the Key, lubricate the Lock.

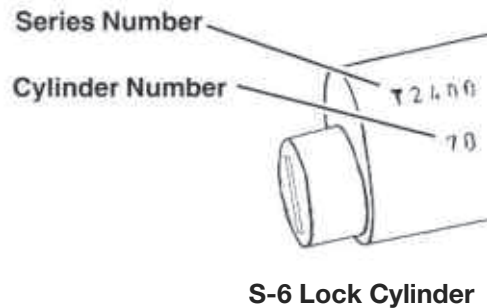
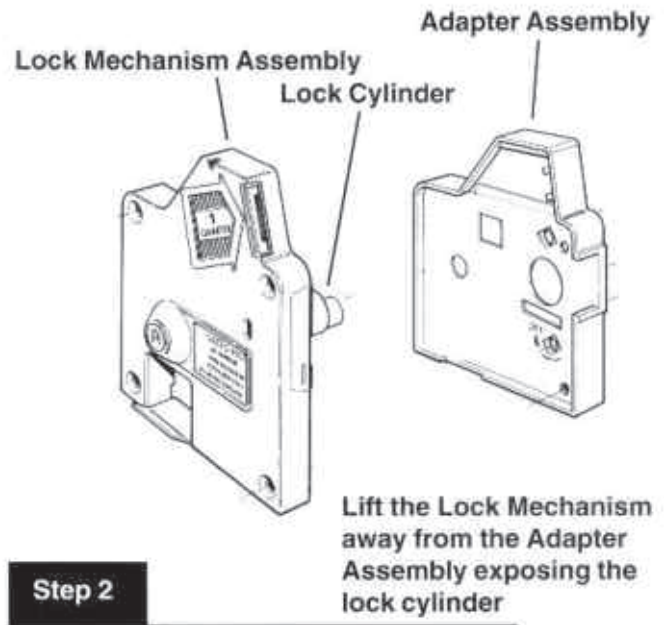
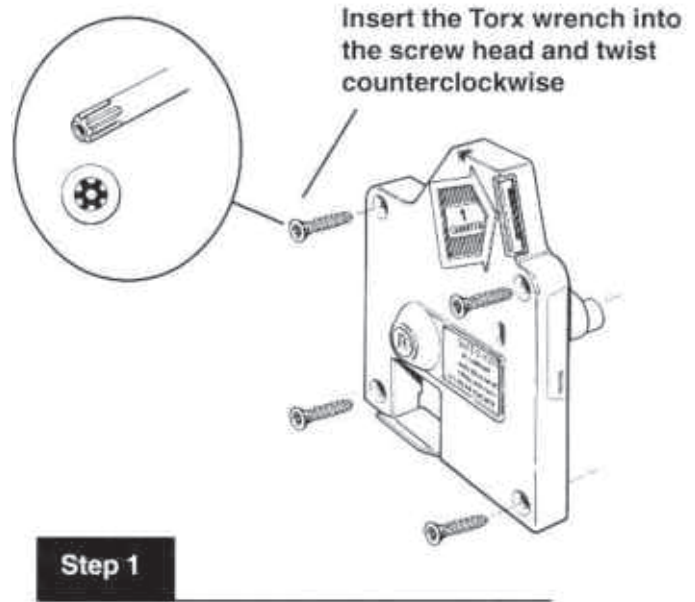
Ordering Keys

Replacing Lost Keys

When a key is damaged, lost or not returned, replace the User Key. After a number of key-less cylinders and accumulate, order keys for these cylinders and use them as spares.

A User Key can be ordered for the S-6 Lock by furnishing the User Key source with the Master Key number and the Cylinder Number. To view the Cylinder Number, do as follows.

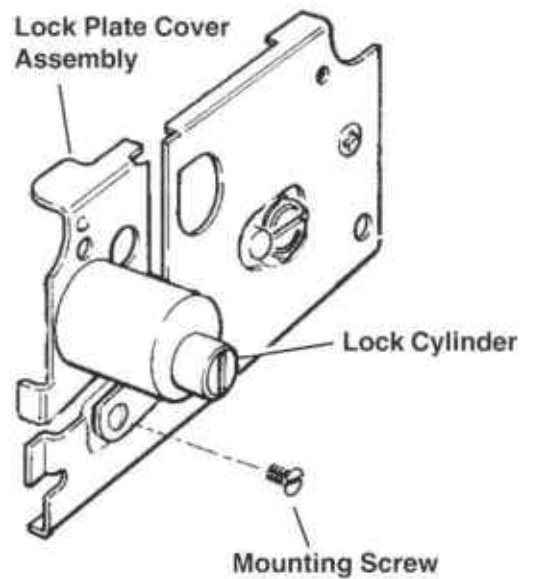
1. Using a Torx Wrench, remove the four Torx screws that fasten the Lock Mechanism Assembly to the Lock Adapter Assembly. Turn the wrench counterclockwise to remove the screws.
2. Lift the Lock Mechanism Assembly away from the Adapter Assembly, exposing the Lock Cylinder.
3. The Series and Cylinder Numbers are stamped on the outside of the cylinder.



Removing a Broken Key

If a Key is broken off in the Lock Cylinder, do the following:

1. Attempt to withdraw the broken part of the key with a pair of needle nose pliers.
2. If pulling the key out fails and the cylinder is in a locked position, push a penalty key into the lock cylinder and force the broken key through the back of the cylinder,
3. If the cylinder is not in the locked position disassemble the lock, remove the Lock Plate Cover Assembly from the Lock Mechanic and then attempt to pass the penalty key through the cylinder.
4. If the broken key cannot be extracted, a new Lock Cylinder and User Key must be purchased.
5. To replace the Lock Plate Cover Assembly, push the Deadbolt inward (placing the lock into an unlocked position), insert the Plate and tighten the flathead mounting screw.



S6 Lock, Step 3

Lock Set Up

Lock Setting Coin or Token

To set the S-6 Lock for Coin or Token Deposit, do as follows.

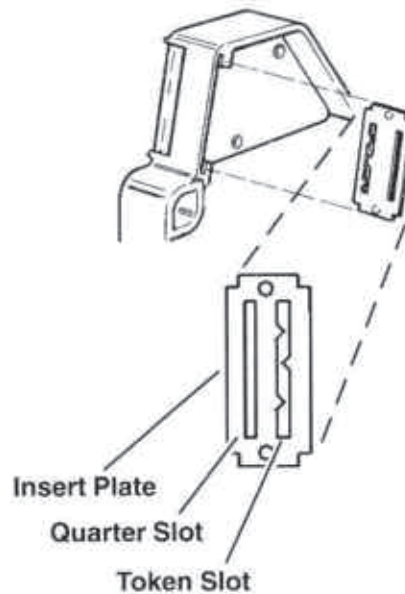
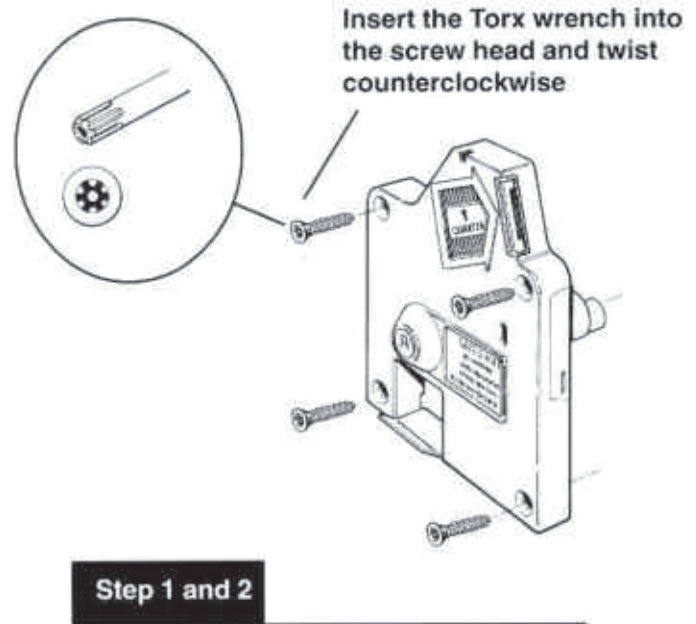
1. Using a Torx Wrench, remove the four Torx screws that fasten the Lock Mechanism Assembly to the Lock Adapter Assembly. Turn the wrench counterclockwise to remove the screws.
2. Lift the Lock Mechanism Assembly away from the Adapter Assembly.

This allows access to the Insert Plate that has two slots, one for quarters and one for the SAFE-O-MAT® Token.

3. Using a pair of pliers, pull the Insert Plate from the Lock Case.

Rotate the Plate so that the slot, quarter or token, is in the correct position and push the Plate back into the Case, Make sure the Plate is fully seated into the slot.

Note: If the Lock is set for Token Operation, the Cam must be set for two coins.



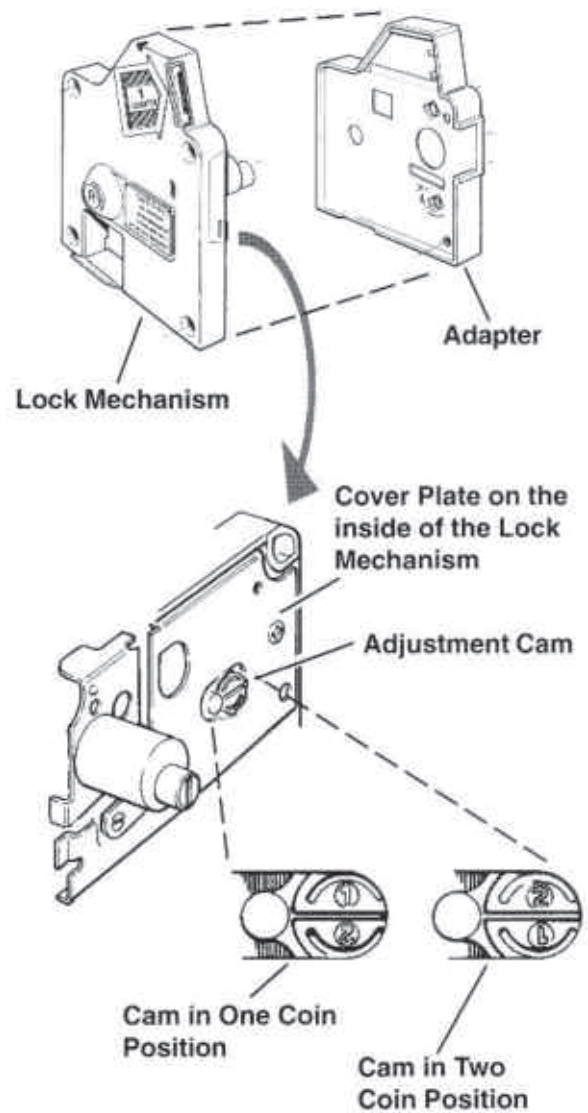
One or Two Coin Operation

To select one or two coin operation, do as follows:

1. Remove the Lock Mechanism from the Adapter using a Torx Wrench (Step 1, page 11.)
 2. Using a blade screwdriver, turn the Adjustment Knob to set One or Two Coin Operation.
- When the one is above the two, it is set for One Coin Operation.
 - When the two is above the one, it is set for Two Coin Operation.

Note: If the Adjustment Cam is set for One Quarter Operation and a Token is inserted into the Lock will not release the Token from the Coin Holder until it contains two tokens.

For Token Operation, the Cam must be set with the two in the upper position.

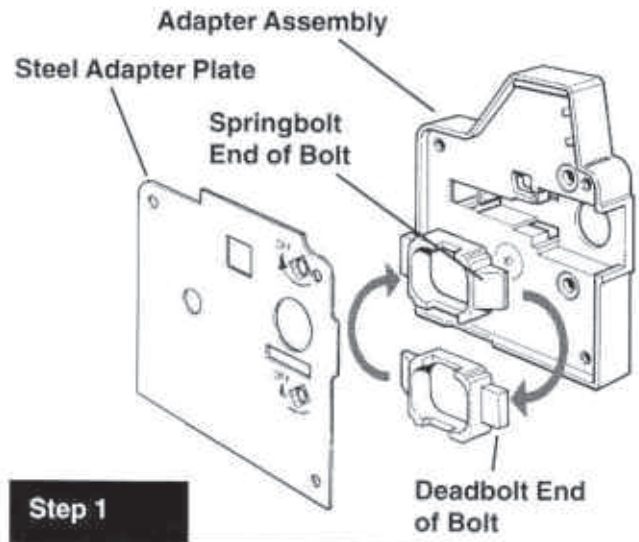


Step 1 - 2

Deadbolt Conversion

To convert the S-6 Lock from Deadbolt Operation to Springbolt Operation, remove the Lock Mechanism and Steel Adapter Plate. This exposes the Lock Bolt.

1. Lift the bolt from the Adapter Assembly and rotate it 180° and replace it into the Adapter with the springbolt end facing outward.



Convert to Collect Operation

To convert a return Lock to a collect Lock, do the following.

1. Using pliers or a small saw, remove the web from the back side, bottom edge of the Adapter Assembly as shown in the illustration at the right.
2. Remove the Lock Mechanism from the Adapter; reassemble the Deflector Plate as shown in the illustration at the right. Make sure the legs on the Deflector Plate point inward before inserting the Plate into the Lock Case.

Note: Two Deflector Plates (PN 519 or PN 519A) are used as follows.

PN 519

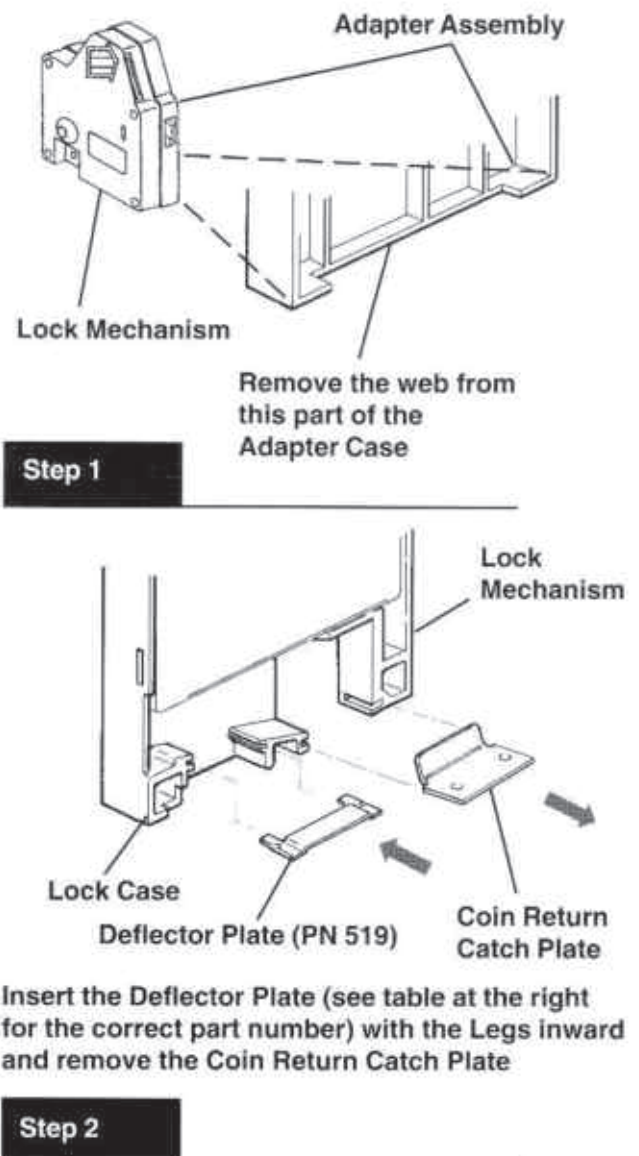
- One Quarter Return
- Two Quarter Return
- One Token Return
- One Token Collect

PN 519A

- One Quarter Collect
- Two Quarter Collect

Remove the Coin Return Catch Plate from the Lock Case and discard it.

3. Reassemble the Lock Mechanism.



Removal from Locker Door

When the Lock is a Collect Lock, the Coin Box must be removed before the Lock Mechanism can be removed from a Locker Door.

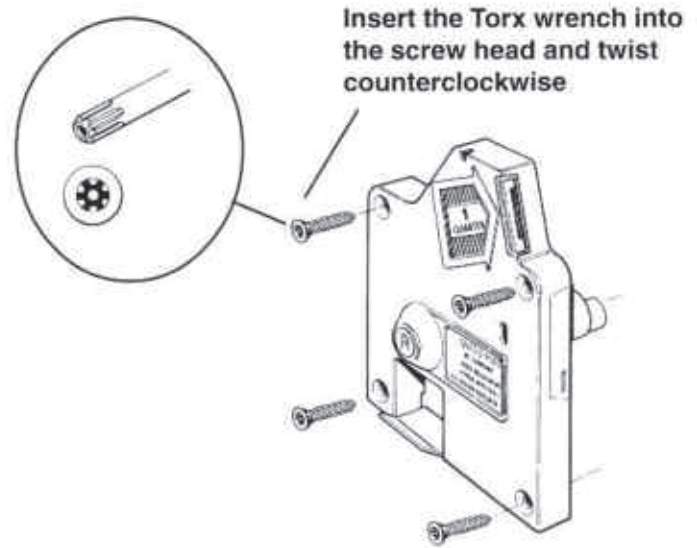
To remove a Return Lock from a Locker, do as follows:

1. Using a Torx Wrench remove the four Torx screws that fasten the Lock Mechanism Assembly to the Lock Adapter Assembly. Turn the wrench counterclockwise to remove the screws.

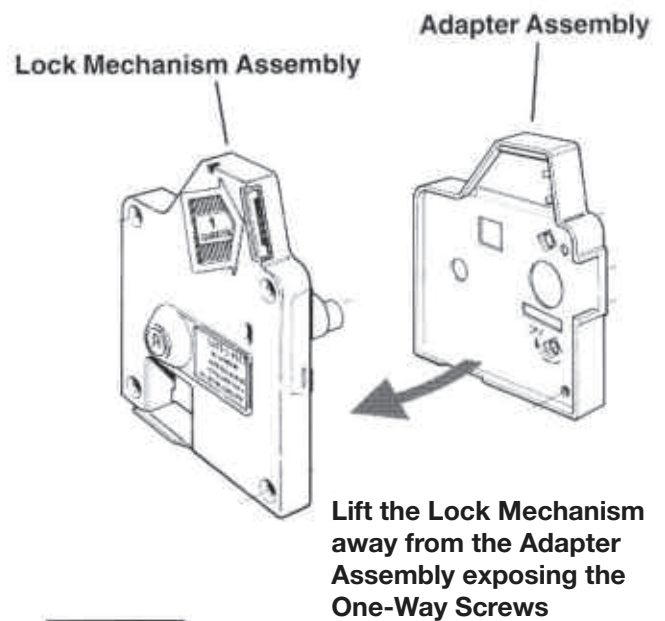
If the Lock to be removed is a Collect lock, skip to step 3. The Coin Box must be removed to expose the two lower Torx Screws.

2. Lift the Lock Mechanism Assembly away from the Adapter Assembly, exposing the Adapter Lock Cylinder.

If the Lock being removed is a Deposit Lock, skip to step 7.

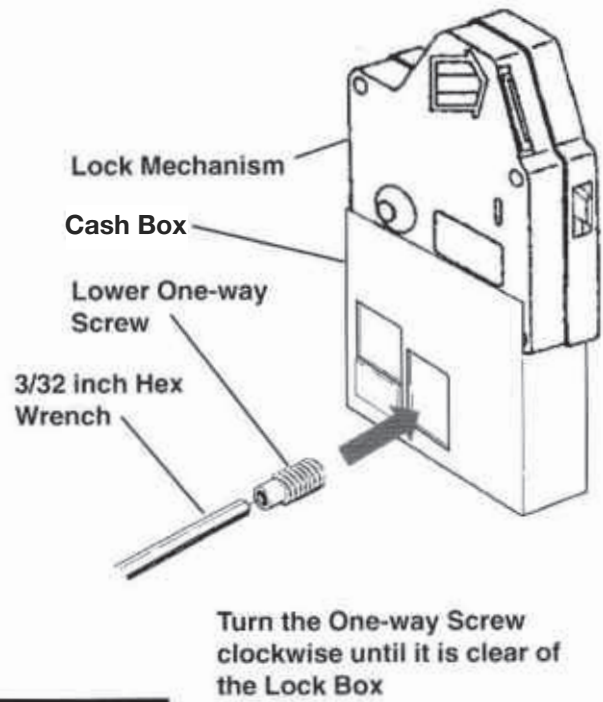


Step 1



Step 2

3. To remove a Collect Lock, unlock the Coin Box and pull the Coin Box Lock Plate away from the Coin Box.
4. Using a 3/32 inch Hex Wrench, reach through the rectangular opening on the Coin Box face and insert the wrench into the point of the one-way screw. Rotate clockwise until the screw is unfastened from the Coin Box.

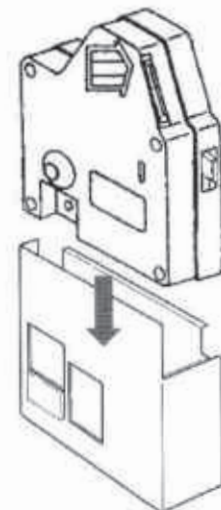


Step 3 and 4

5. Slide the Coin Box away from the Adapter, exposing the lower Torx screws.

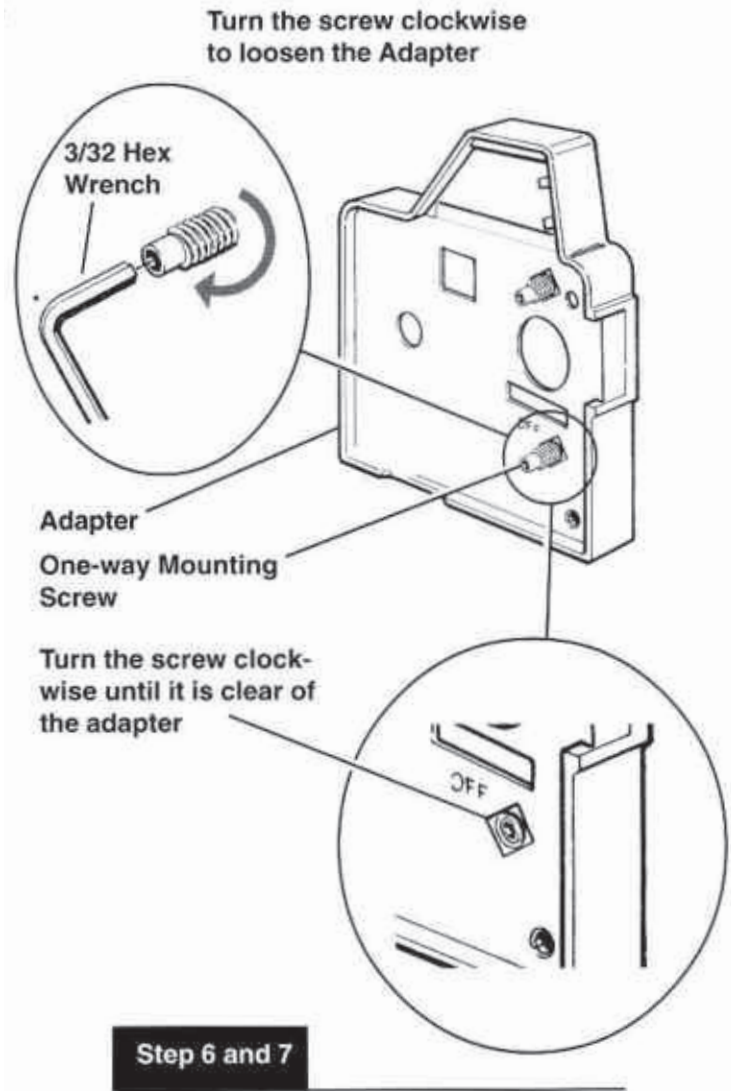
Remove the four Torx screws that fasten the Lock Mechanism Assembly to the Lock Adapter Assembly.

Lift the Lock Mechanism Assembly away from the Adapter, exposing the one-way screws.



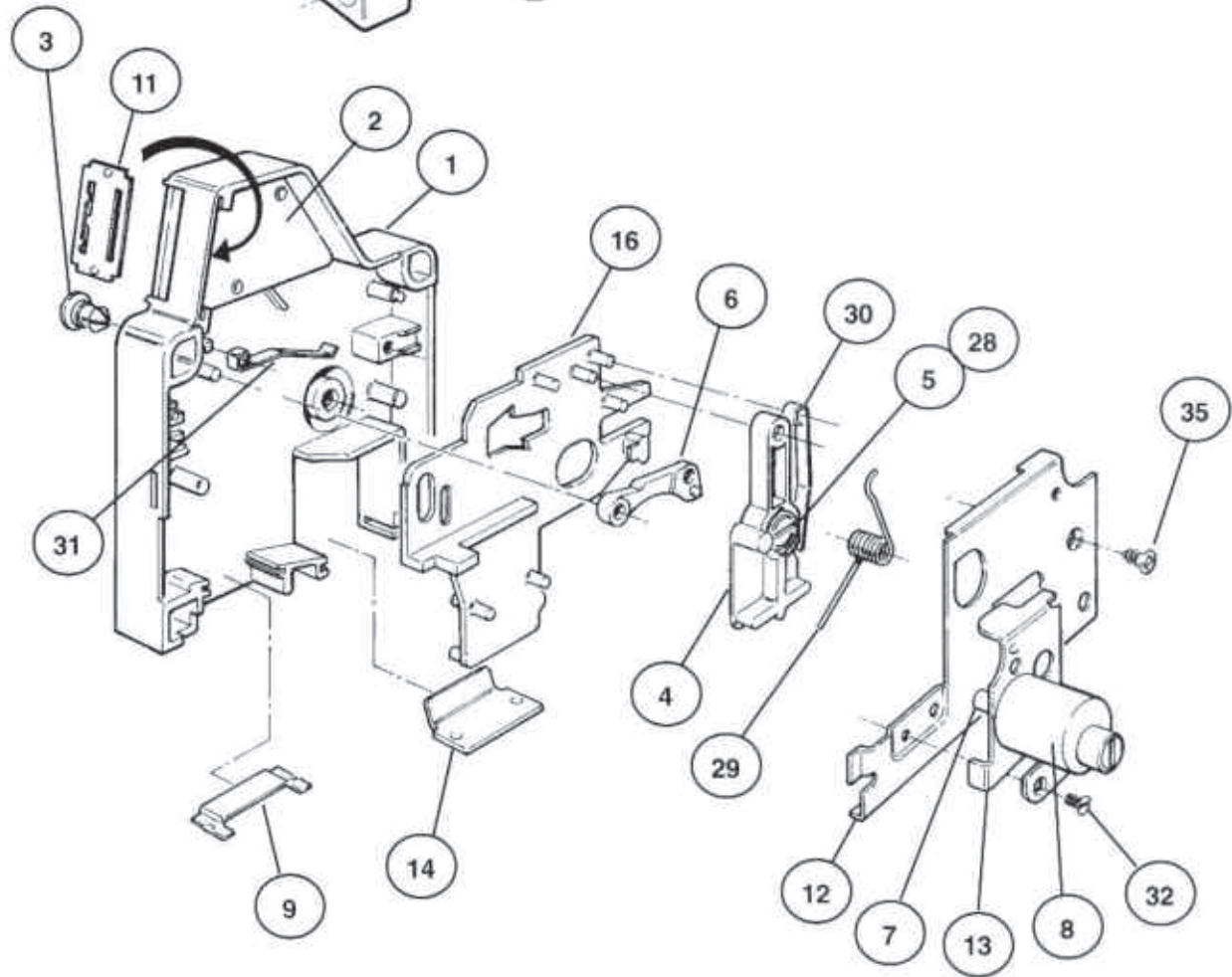
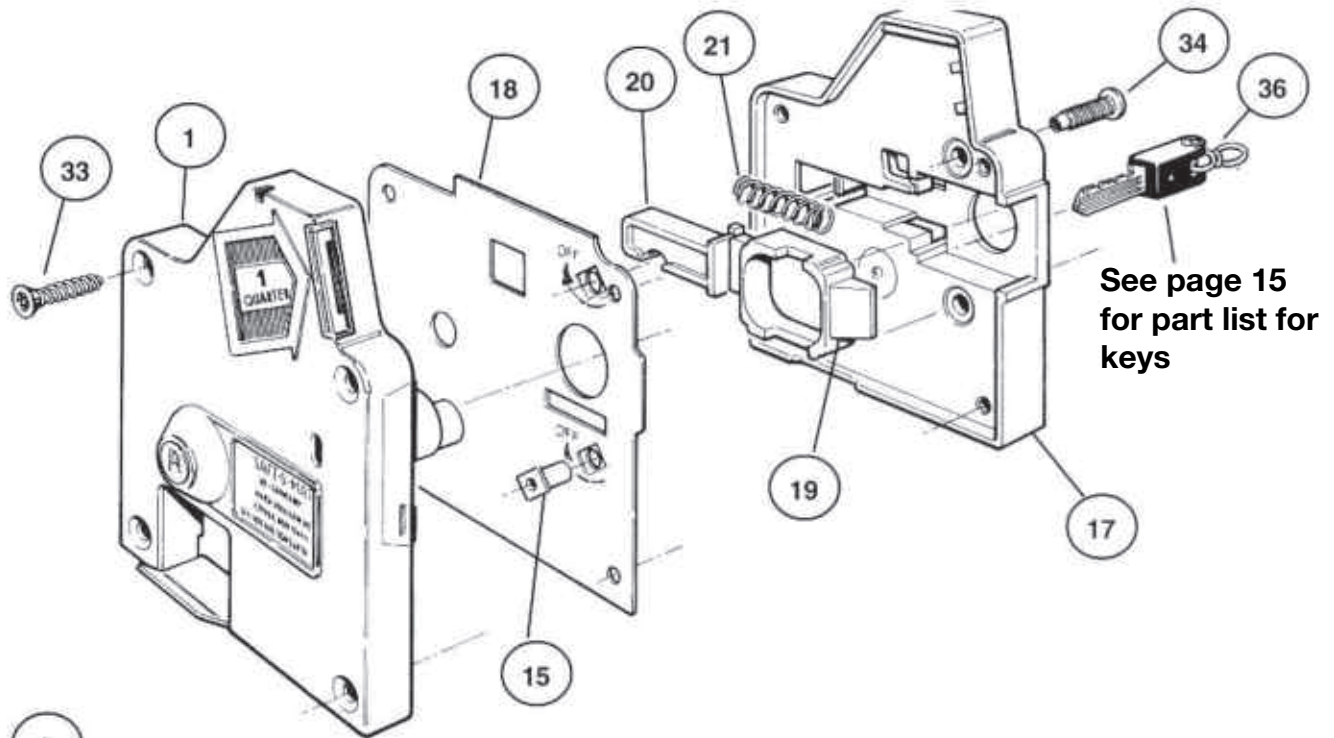
Step 5

6. Insert a 3/32 inch Hex wrench into the tip of each one-way screw and turn it clockwise until the screws are clear of the Adapter.
7. Lift the Adapter from the Locker Door.



Lock Parts List

Lock Diagram

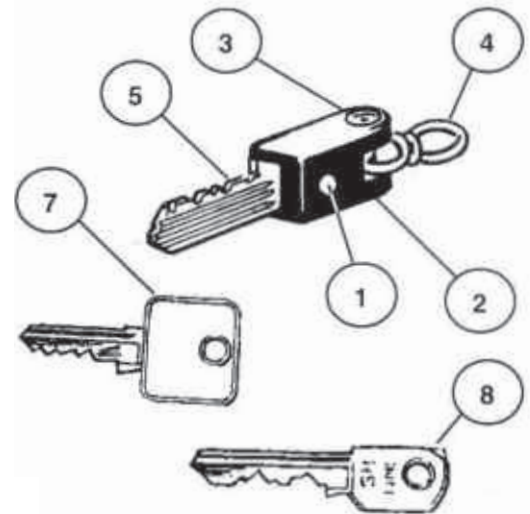


Lock Parts List

Item	PN	Description
1	501	Lock Case w/Coin Cover Plate
2	503	Coin Cover Plate
3	505	Coin Return Button
4	509	Coin Holder
5	511	Adjustment Knob
6	512	Tumbler
7	516	Nylon Cam
8	518 S	Cylinder with Key
9	519	Deflector Plate
10	519 A	Double Deflector Plate (not shown)
11	520	Insertion Gate
12	522	Lock Cover Plate, Large
13	523	Lock Cover Plate, Small
14	525	Coin Catch
15	528	55 mm Aluminum Insert
16	534	Bolt
17	535	Adapter Case
18	536	Adapter Plate
19	537	Deadbolt
20	538	Spring Housing
21	539	Main Bolt Spring
22	540	Coin Box Adapter (not shown)
23	2057	Coin Box Adapter Plate (not shown)
24	2058	Coin Box Complete (not shown)
25	1-56-C	Coin Collect Lock (not shown)
26	1NS6-R	Coin Return Lock (not shown)
27		Bevel Lock Case GSS-Hadrian (not shown)
28	504	Return Knob Spring (not shown)
29	506	Bolt Spring
30	510	Coin Holder Spring
31	513	Tumbler Spring
32	524	Cylinder Cover Plate Screw
33	527	Hex Spline Screw
34	529	One-way Mounting Screw
35		Cover Plate Screw

Key Part List

Item	PN	Description
1	302	Brass Key Bow Pin
2	303	Key Bow for User Key
3	304	Tubular Rivet for User Key
4	309	Swivel for User Key
5	517	User Key
7	548	Cash Box Key
8	376P	Penalty Key
	376N	Cylinder Key



Decal Parts

PN	Description
531	Insertion Decal Token
532	Insertion Decal 1 Quarter
533	Insertion Decal Quarter 2
81190	Inside Instruction Decal
526C	Outside Instruction Decal Collect
526CC	Outside Instruction Decal Collect Normal
526CCX	Outside Instruction Decal Collect Recessed
526CR	Outside Instruction Decal Collect Normal
526CRX	Outside Instruction Decal Collect Recessed
526D	Outside Instruction Decal Collect Return

Adapter List

Number	Description
1528-02	Penco Collect Adapter
1528-03	Penco Return Adapter
1528-04	Republic Collect Adapter
1528-05	Republic Return Adapter
1528-06	Lyon Collect Adapter
1528-07	Lyon Return Adapter

Tools and Tokens

Number	Description
543	Tool Kit
544	Torx #20 Security Screwdriver
521	Brass Security Token 1073/1074
2412	Steel Washer 24.7 x 1.2 mm
2515	Steel Washer 25 x1.5 mm

*Twelve week lead time

HÄFELE

3901 Cheyenne Drive
P.O. Box 4000
Archdale, NC 27263
1-800-423-3531
www.hafele.com