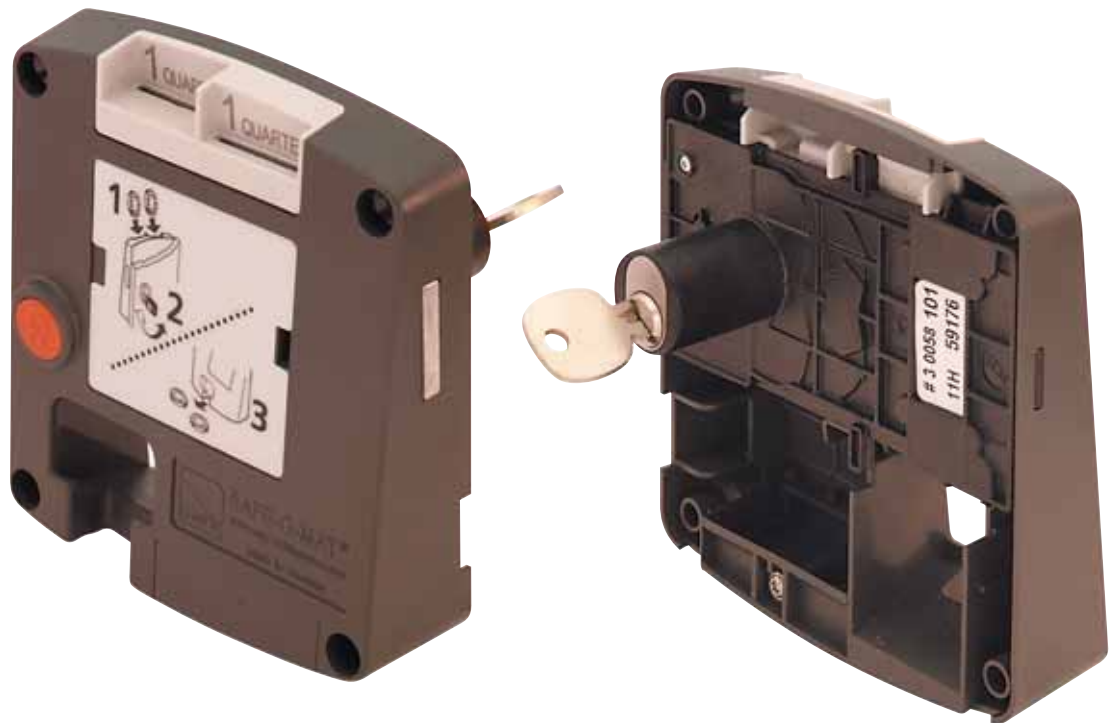


Mounting Instructions

HÄFELE

Item No.: 231.53.81X, 231.53.86X

SAFE-O-MAT® twin coin



SAFE-O-MAT® *twin-coin*

Item No.: 231.53.810
231.53.811



Lock with coin choice
Return lock, 1 US Quarter

Item No.: 231.53.861
231.53.862*
231.53.863*



(B)

Collect Lock, 2 US Quarters
With large-size cash box

* **without image**

Collect Lock, 1 US Quarter

SAFE-O-MAT® twin-coin**Assembly**

SAFE-O-MAT® Return lock right handed4
SAFE-O-MAT® Collect lock with large cash box right handed4
Assembly large-size cash box5
Cash box clearance Large-size cash box6
Sketch return lock7
Sketches7
Collect lock with large-size cash box ..	.7
Mounting key8

SAFE-O-MAT® twin-coin**Cylinder and masterkeys**

Cylinder insertion9
Cylinder removal9
PROMAX cylinder10
PROMAX emergency key10
PENALTY cylinder11
PENALTY key11
Cylinder change key11

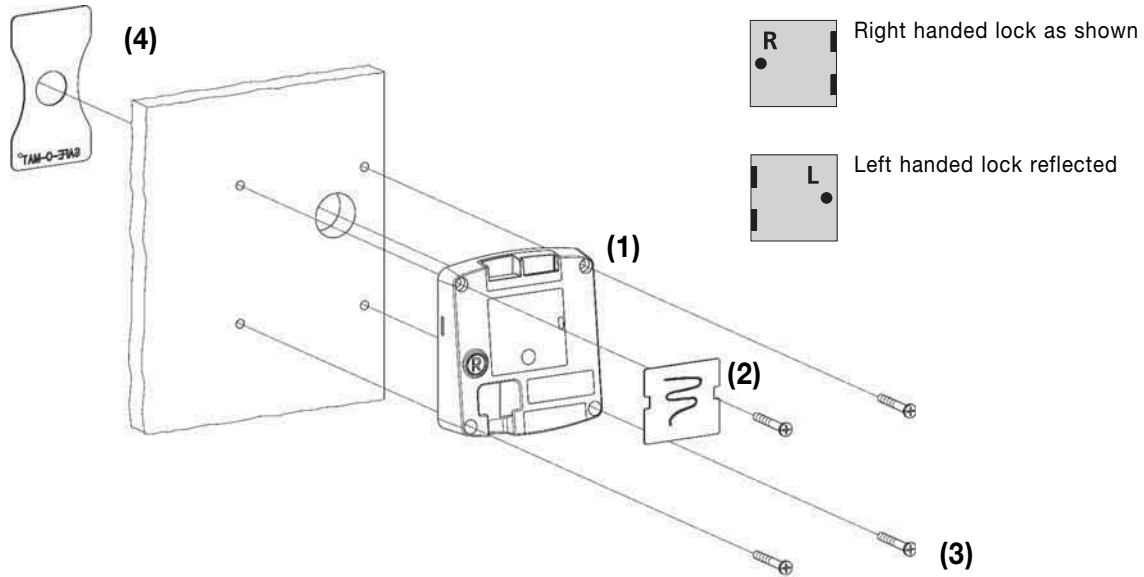
SAFE-O-MAT® twin-coin**User keys**

Loss of userkey12
User key, standard12
User key with key ring12
User key with key slider12
Assembly wristband, set 113
Wristband change, set 213

SAFE-O-MAT® twin-coin**Troubles and problems**

Recommendations for cylinder maintenance14
Troubleshooting14-17

SAFE-O-MAT® Return lock

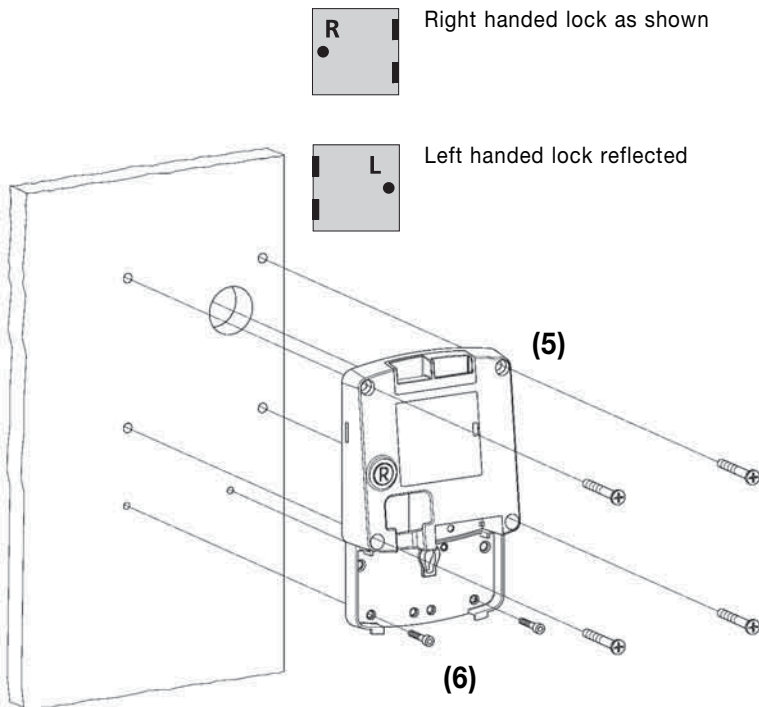


Quantity of delivery / Information

- (1) SAFE-O-MAT® *twin-coin* lock
- (2) Instruction sign
- (3) 4 flat head screws
- (4) Outer number sign (optional)

Recommended diameter of cylinder hole: Ø 23 mm
 Fixing material:
 flat head screw M5x20

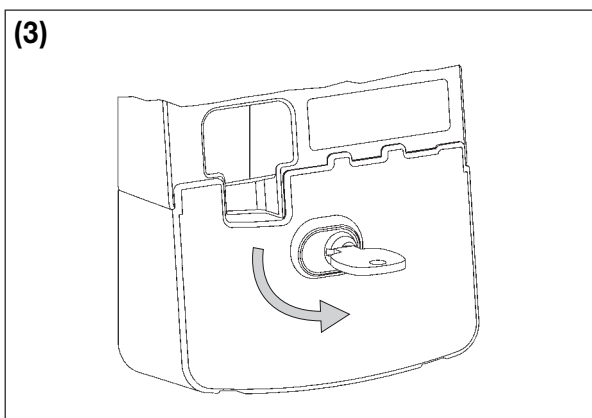
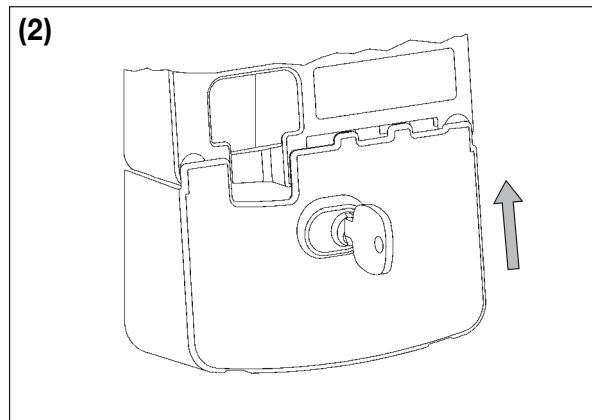
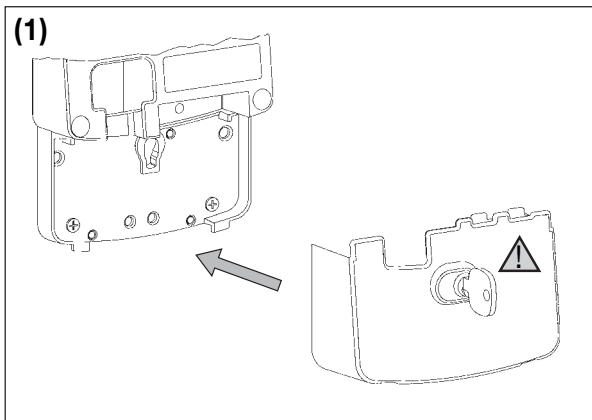
SAFE-O-MAT® Collect lock with large-size cashbox



Quantity of delivery / Information

- (5) SAFE-O-MAT® *twin-coin* lock
 - (6) 2 screws M4x10
as above (2) to (4)
- Further information for assembly
please see page 5!**

Assembly large-size cash box

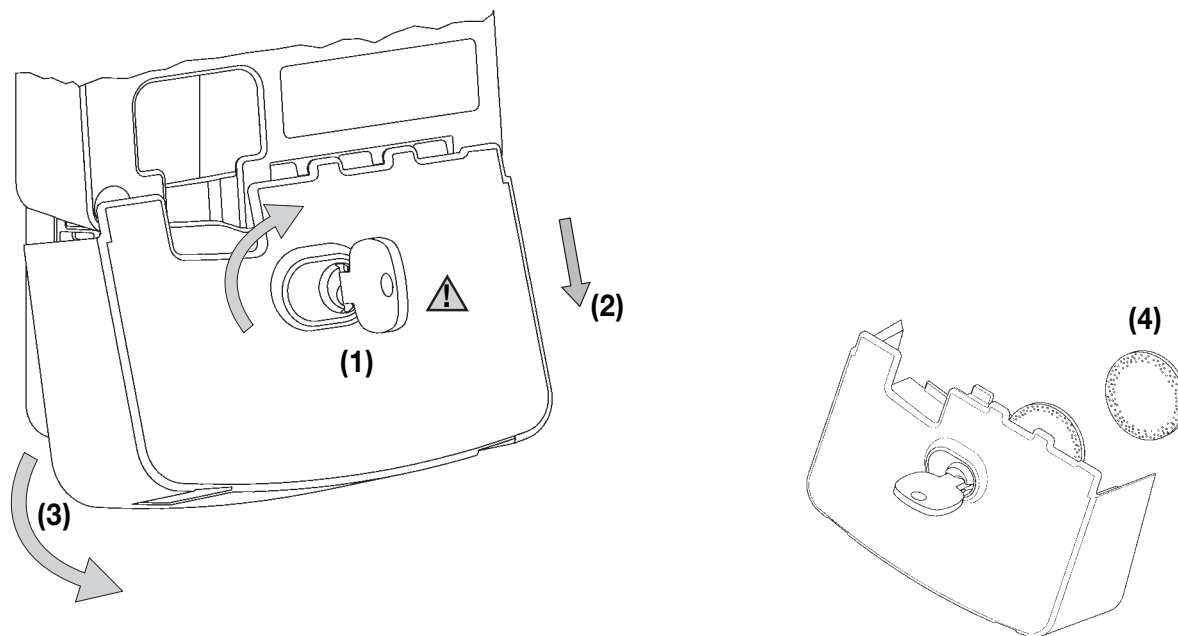


(1) Put the box cover into the slot (see arrow).
Please attend key position!

(2) Lift the cover upwards (see arrow)

(3) To lock the cash box please turn the cash box key to the left.

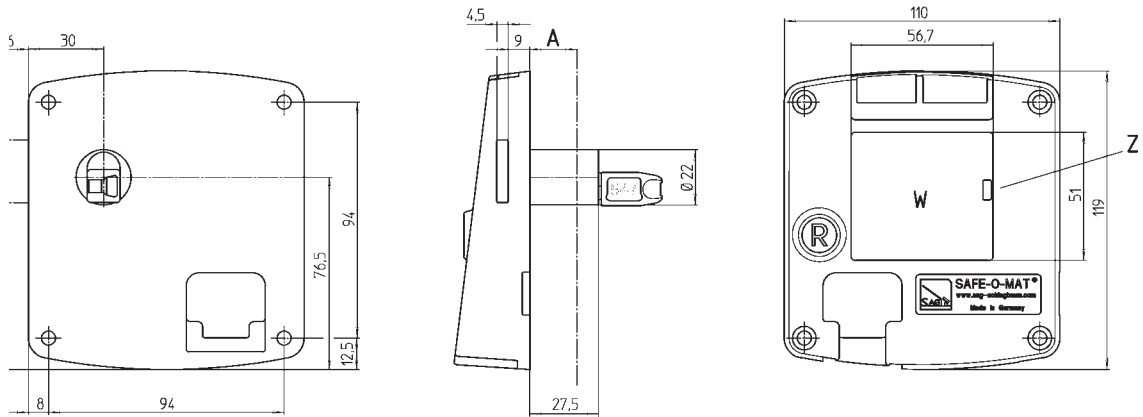
Clearance of cash box Large-size cash box



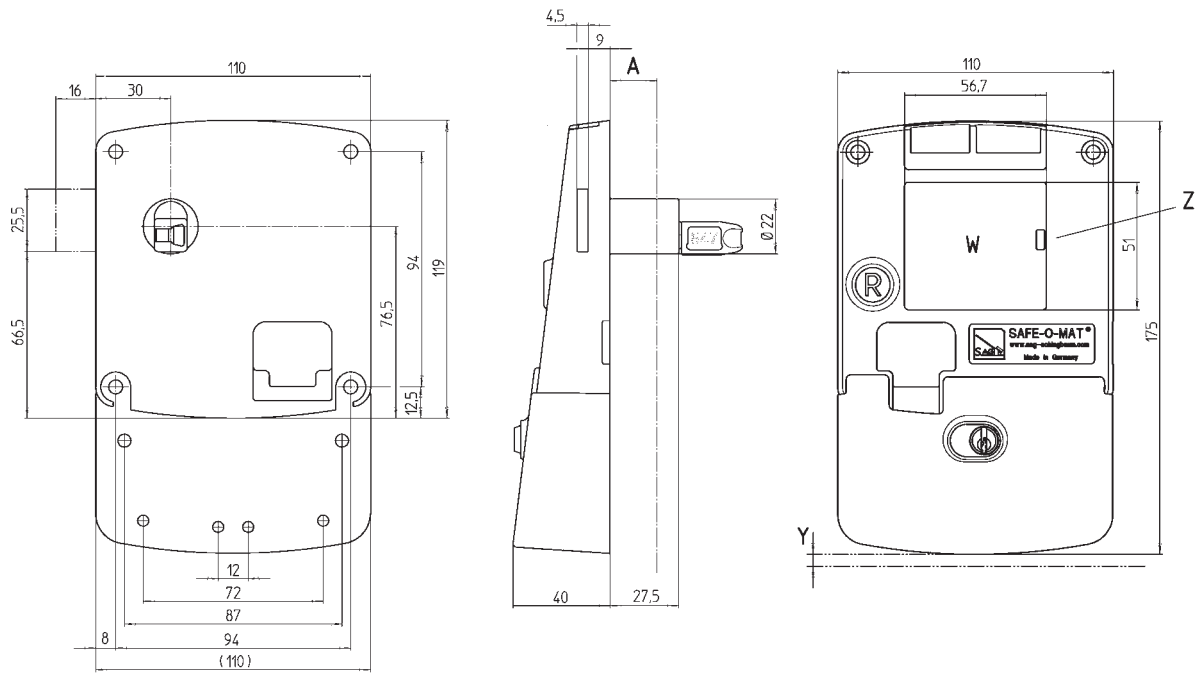
- (1) Insert the cash box key into the cylinder slot and turn to the right.
- (2) Push the cash box cover downwards
- (3) Pull the cashbox cover forwards
- (4) Take out the cash

To lock please see information on page 5!

Return lock



Collect lock with large-size cash box



Collect lock with integrated compact cash box

Information

Right handed version = above drawing

Left handed version = reflected

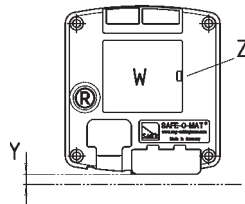
A = Maximum door thickness 26 mm

W = Space for publicity

Y = Free space for opening of cash box

5 mm

Z = Cylinder channel



Mounting Key



Mounting Key

The key is a flat key, which can be inserted into the cylinder core when the PROMAX- or PENALTY- cylinder is removed. By rotating the bolt it is turned into locked position.

Important:

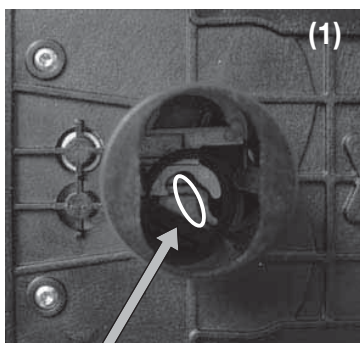
To insert a new PROMAX- or PENALTY- cylinder the bolt must be in an unlocked position!



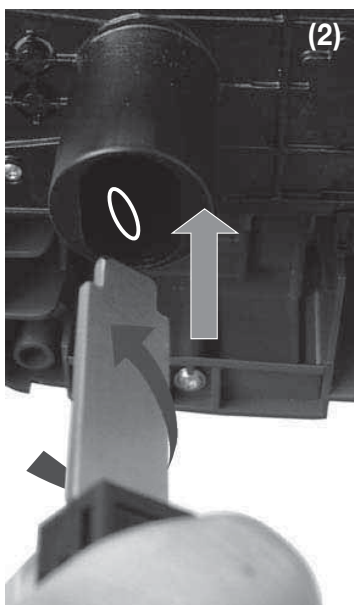
Right handed lock as shown



Left handed lock reflected



(1) Locking position for mounting key



(1) Delivery status (cylinder not installed)

(2) Please insert mounting key in this position and turn clockwise/counter clockwise until the deadbolt is turned into locked position.

(3) Unlocked dead bolt

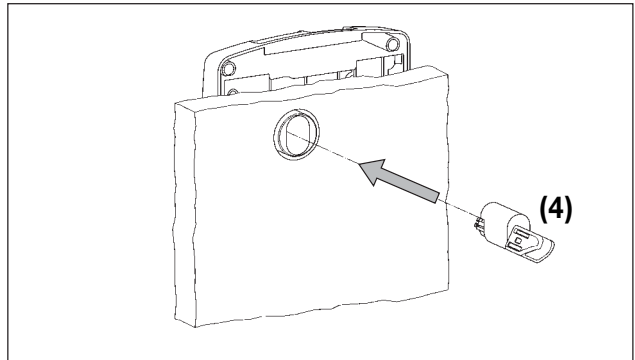
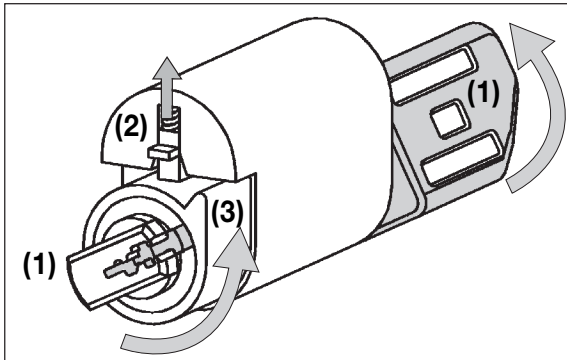
Cylinder insertion



Right handed lock as shown



Left handed lock reflected



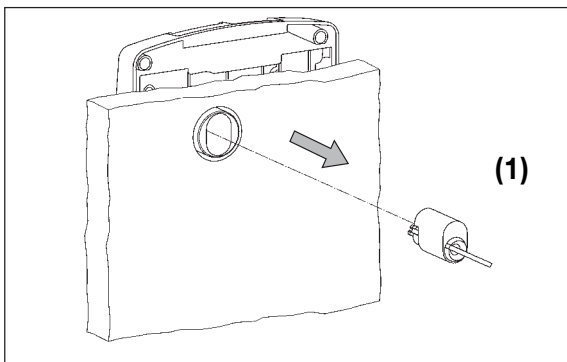
For PROMAX- and PENALTY-cylinder

The cylinder can only be inserted by the user key!

- (1) Turn the user key in the cylinder clockwise
- (2) Lift the spring
- (3) Push the brass cam
- (4) Cylinder with the user key can now be inserted into the cylinder core

Insert one (two) coin(s) and lock the lock back and forth.

Cylinder removal



For PROMAX- and PENALTY-cylinder. The cylinder can only be removed by the control or cylinder change key! (1) Please insert the control or cylinder change key into the cylinder and turn clockwise/counter clockwise. Remove the cylinder.

PROMAX-cylinder

Application: In facilities with high frequency of different users, i.e. pools, leisure centers etc.

Function: The **PROMAX control key** allows the opening of any locker within the designated cylinder series by removing the cylinder. The cylinder can only be inserted by means of the correct user key.

Important: The control key has **no master key function!**



PROMAX-Cylinder,
with 1 key each, for right handed
(door hinges on right side) and left
handed (door hinges on left side)

Key version: Standard

Further variations:

Key version: with key ring

Key version: with slider

Further information see page 12.



PROMAX-Emergency key,
marked with series number on key,
Function: Key to remove the
PROMAX-cylinder from the
SAFE-O-MAT® lock.

PENALTY-cylinder

Application: In facilities with low frequency of different users and where lockers are often subject to being reserved, i.e. universities, schools etc.

Function: By means of the **PENALTY key** any locker within the designated cylinder series can be opened and re-locked **without** inserting a deposit. The deposit can be retained as fine. The **cylinder change key** allows a quick cylinder exchange.



PENALTY-Cylinder,

with 1 key each, for right handed (door hinges on right side) and left handed (door hinges on left side) locks.

Key version: Standard

Further variations:

Key version: with key ring

Key version: with slider

Further information see page 12.



PENALTY key,

marked with **series number** on key,

Function: Master key to lock and unlock the SAFE-O-MAT® lock (no cylinder change function).



Cylinder change key

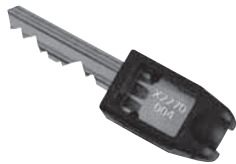
marked with **series number** on key,

Function: Key to remove the PENALTY cylinder from the SAFE-O-MAT® lock.

Loss of user key

To retain the security of an installation, cylinders must be removed immediately when **a key is lost**. If the key is simply replaced by a new key the lost or stolen first key can still operate the locker!

Therefore we recommend keeping spare cylinders in stock. In the case of broken or lost keys these reserves can be used quickly and efficiently to replace existing cylinders while ensuring the **security of the whole installation!**



Cylinder key (user key),
with **standard**-key handle, with marked series and user key number. Prepared to clip the number plates into key handle. Also for wristband set 1.

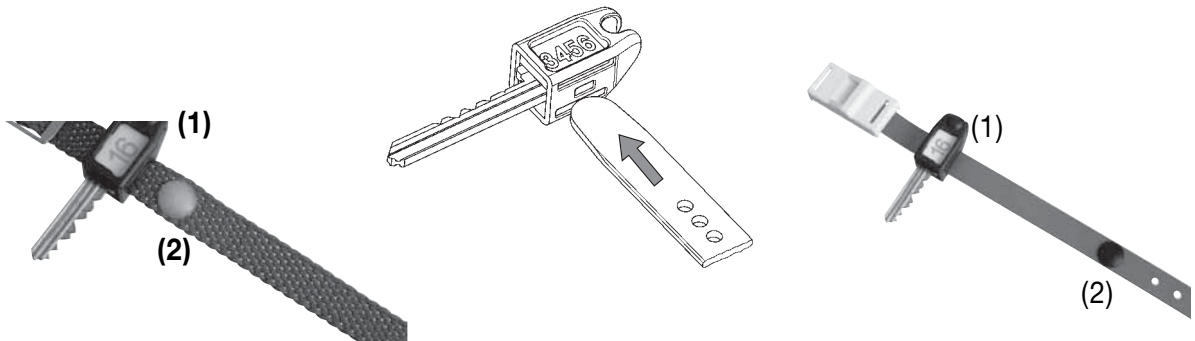


Cylinder key (user key),
with **ring**-key handle, with marked series and user key number. Prepared to clip the number plates into key handle. Also for mounting of key rings or key hangers.



Cylinder key (user key),
with **slider**-key handle, with marked series and user key number. Prepared to clip the number plates into key handle. For mounting on wristband (wristband set 2).

Assembly wristband - Set 1

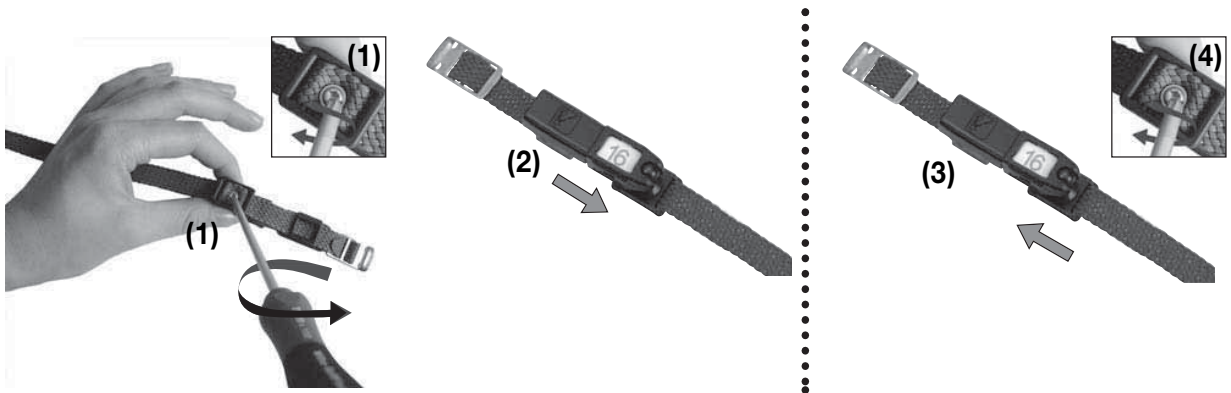


For wristbands, made of nylon and PVC

(1) Please settle the wristband through the strap of the key handle, user key standard.

(2) After, please clip the rivet by means of a pliers or similar tool on the corresponding fixing positions (see pictures, white rivet for Nylon wristband, black rivet for PVC wristband).

Wristband change - Set 2



For wristbands, made of nylon and PVC

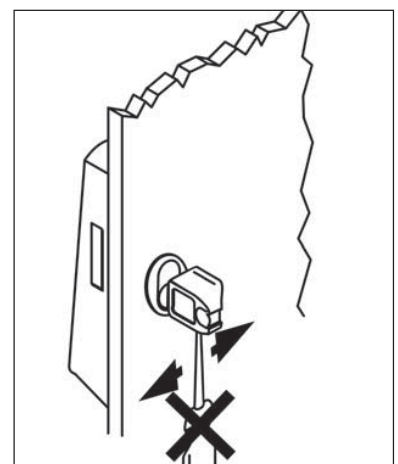
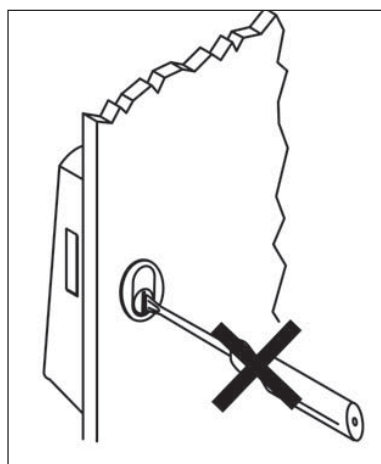
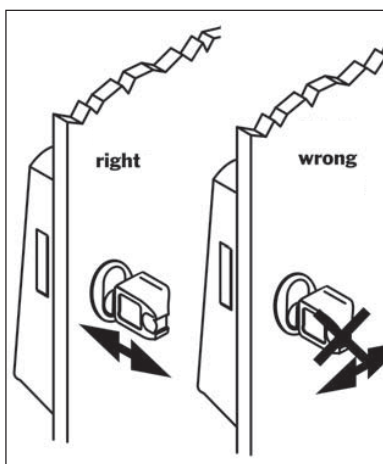
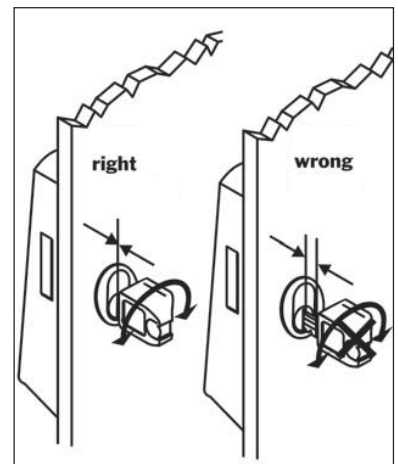
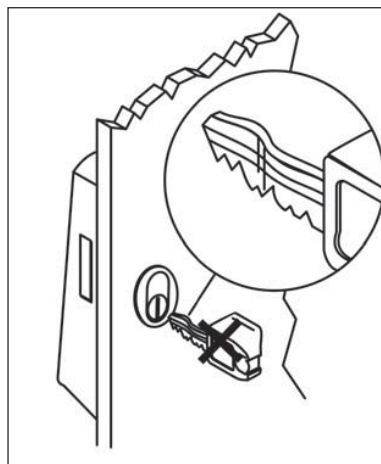
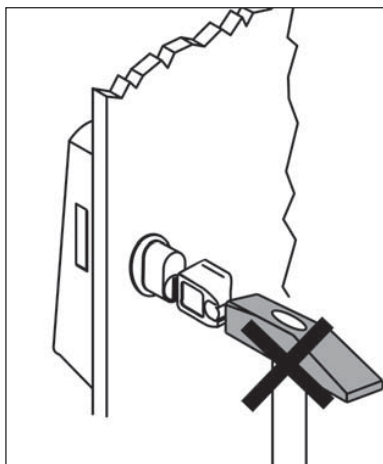
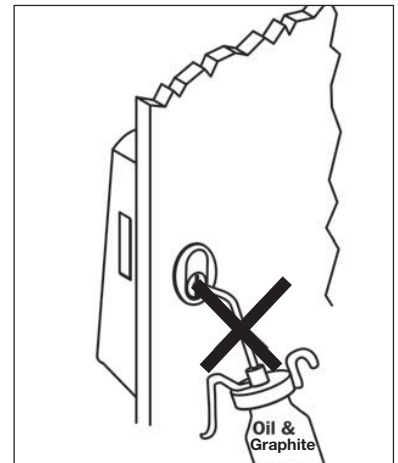
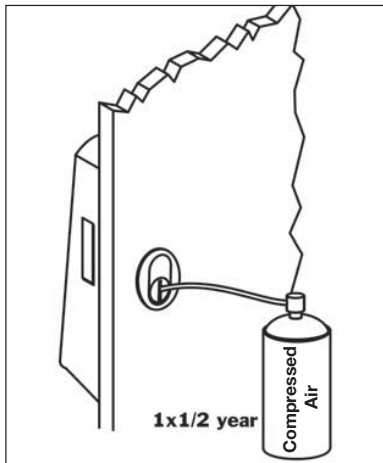
(1) Please dismantle the security screw by means of torx screw driver backside the wristband.

(2) Remove the key with slider and key protection pocket from the wristband.

(3) After exchange of the bracelet please put the components (**first key protection pocket**, after key with slider) on the wristband.

(4) Please tighten screw on the back of the wristband!

Recommendations for cylinder maintenance



Troubleshooting

Symptom	Possible cause	Solution
Assembly of SAFE-O-MAT [®] lock not possible.	<ul style="list-style-type: none"> • Fixing holes • Diameter of cylinder hole • Deadbolt position 	Please check the distance of holes (see drawings on page 7)
Operation of SAFE-O-MAT [®] lock not possible.	<ul style="list-style-type: none"> • Wrong coins • Quantity of coins • Foreign debris (i.e. plastic chips) 	Please check the marking of insertion slot and the information sign. To get out the coins please push the red R button.
The user key cannot be inserted into the cylinder	<ul style="list-style-type: none"> • Wrong user key • Damaged user key 	Please compare: ... the locker number and the number plate in the key handle.
The SAFE-O-MAT [®] lock cannot be opened by the user key.		... stamped single user key number of cylinder and user key (cylinder must be removed. Exchange damaged user key.
Cylinder cannot be removed by the PROMAX- control key (cylinder change key).	<ul style="list-style-type: none"> • Wrong series number • Damaged cylinder change key • Foreign debris in the cylinder 	Please check the series number (user key, cylinder, control key). Exchange damaged control key. Break the foreign parts through the cylinder channel.
Cylinder cannot be inserted into the SAFE-O-MAT [®] lock.	<ul style="list-style-type: none"> • The cylinder was inserted by the cylinder change key • A wrong cylinder was inserted (left handed instead of right handed etc) 	The cylinder can only be inserted with the user key Please insert the correct cylinder (right handed cylinder – right handed lock)
Problems at cash box opening.	The cash box was opened by the cylinder change key or user key.	Please use the correct cash box key (large cash box)
The user key is broken in the cylinder.	Strong force effects on user key.	Please break the broken part of the user key with the control key through the cylinder channel (open cylinder channel) After please exchange the cylinder.

HÄFELE

3901 Cheyenne Drive

P.O. Box 4000

Archdale, NC 27263

1-800-423-3531

www.hafele.com