

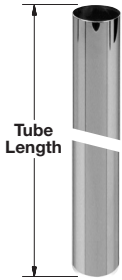
# HtoO Order Form: Custom Size Table Legs

**Customer Information:**

Contact Name: \_\_\_\_\_ Contact Phone: \_\_\_\_\_  
 Company Name: \_\_\_\_\_ Account#: \_\_\_\_\_  
 Contact E-mail: \_\_\_\_\_ PO#: \_\_\_\_\_

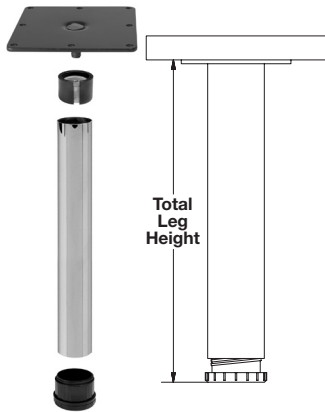
Please indicate unit of measurement for this order: Length -  inches or  mm

**1) Tube ONLY - cut to size**



| Item No.   | Finish                   | Tube Length | Qty.  | Tube Length | Qty.  | Tube Length | Qty.  |
|------------|--------------------------|-------------|-------|-------------|-------|-------------|-------|
| 635.20.0xx | brushed steel            | _____       | _____ | _____       | _____ | _____       | _____ |
| 635.20.2xx | polished chrome          | _____       | _____ | _____       | _____ | _____       | _____ |
| 635.20.3xx | black textured           | _____       | _____ | _____       | _____ | _____       | _____ |
| 635.20.9xx | silver aluminum RAL 9006 | _____       | _____ | _____       | _____ | _____       | _____ |

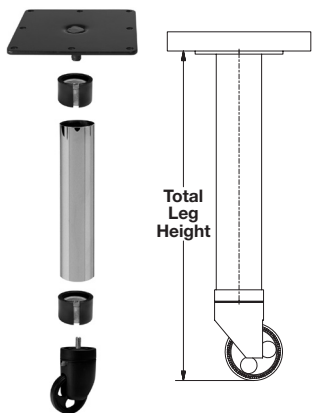
**2) Complete Leg with Leveler** (includes mounting plate with #9 x 1 screws, insert, tube and leveler)



| Item No.   | Tube Finish              | Total Leg Height | Qty.  | Total Leg Height | Qty.  | Total Leg Height | Qty.  |
|------------|--------------------------|------------------|-------|------------------|-------|------------------|-------|
| 635.20.0xx | brushed steel            | _____            | _____ | _____            | _____ | _____            | _____ |
| 635.20.2xx | polished chrome          | _____            | _____ | _____            | _____ | _____            | _____ |
| 635.20.3xx | black textured           | _____            | _____ | _____            | _____ | _____            | _____ |
| 635.20.9xx | silver aluminum RAL 9006 | _____            | _____ | _____            | _____ | _____            | _____ |

Note: All Levelers are black plastic and extend 1".  
 \*Please indicate **Total Height** for the finished leg (including mounting plate and leveler). See drawing on left.

**3) Complete Leg with Caster** (includes mounting plate with #9 x 1 screws, insert, tube and caster)



**Caster Options:**



| Item No.   | Tube Finish              | Total Leg Height | Qty.  | Caster | Total Leg Height | Qty.  | Caster | Total Leg Height | Qty.  | Caster |
|------------|--------------------------|------------------|-------|--------|------------------|-------|--------|------------------|-------|--------|
| 635.20.0xx | brushed steel            | _____            | _____ | _____  | _____            | _____ | _____  | _____            | _____ | _____  |
| 635.20.2xx | polished chrome          | _____            | _____ | _____  | _____            | _____ | _____  | _____            | _____ | _____  |
| 635.20.3xx | black textured           | _____            | _____ | _____  | _____            | _____ | _____  | _____            | _____ | _____  |
| 635.20.9xx | silver aluminum RAL 9006 | _____            | _____ | _____  | _____            | _____ | _____  | _____            | _____ | _____  |

\*Please indicate **Total Height** for the finished leg (including mounting plate and caster). See drawing on left.