

### HEWI-805 Series

Grab Bars .....391-398

Shower Seats .....399

Shower Rod .....400

Bath Accessories .....401-404

### HEWI-801 Series

Grab Bars and Support Systems .....405-412

Shower Seats.....413-417

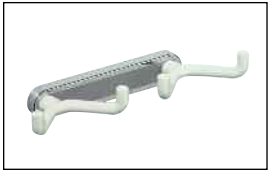
Bath Accessories .....418-426

Shower Rods and Closet Accessories.....427-430

Hooks.....431-433

Handles, Knobs and Recessed Pulls .....434-439

Dimensional data not binding. We reserve the right to alter specifications without notice.



### HEWI LifeSystem

Lift Up Support Rails .....440-441

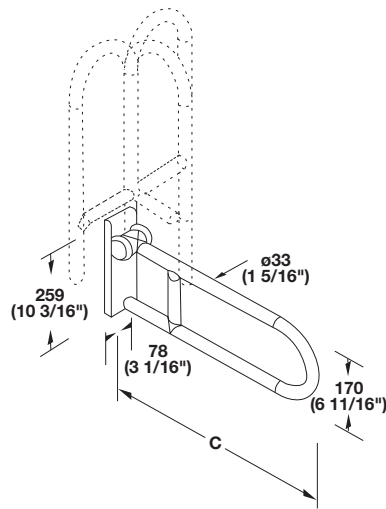
Shower Seats .....442

Bath Accessories .....443-445

### Grab Bars

#### HEWI-805 Series

- **Non-returnable items**
- Adequate wall blocking required
- Mounting hardware for wood installation included
- Instructions are provided for proper installation

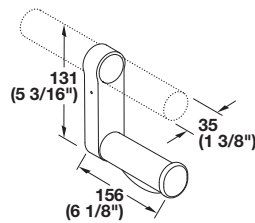


**Swing-up Grab Bar**, with corrosion resistant steel wall protection plate

- Ø 33 mm (1 5/16")
  - Spring assisted up and down movement
  - Locks in up position by turning left or right
- Material: stainless steel

Length	Item No.
600 mm (23 5/8")	988.79.001
700 mm (27 5/16")	988.79.002
850 mm (33 7/16")	988.79.003
900 mm (35 7/16")	988.79.004

Packing: 1 pc.



**Upgrade Kit Toilet Roll Holder**, with integrated friction/rotation control

Material: stainless steel; Mounting element: polyamide

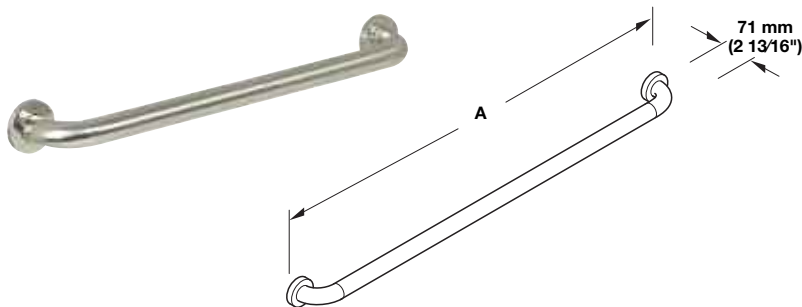
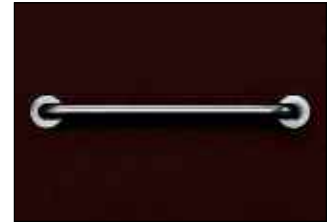
Color	Item No.
anthracite	988.96.492

Packing: 1 pc.

### Grab Bars

#### HEWI-805 Series

- **Non-returnable items**
- Adequate wall blocking required
- Mounting hardware for wood installation included
- Custom sizes available, inquire for pricing
- Invisible mounting with snap-on cover
- ADA compliant



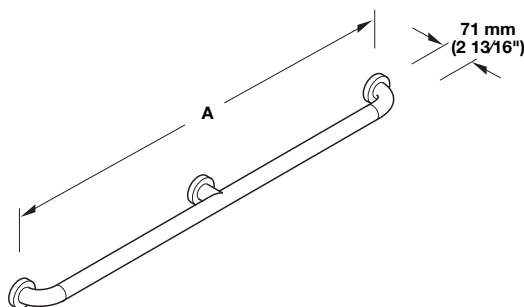
#### Grab Bar

- Fastening with flanges only
- Flange Ø 70 mm (2 3/4") Ø 70 mm (2 3/4")
- Ø 33 mm (1 5/16")
- 38 mm (1 1/2") clear space

Material: stainless steel

Length	Item No.
305 mm (12")	988.58.101
406 mm (16")	988.58.102
457 mm (18")	988.58.103
610 mm (24")	988.58.104
762 mm (30")	988.58.105
914 mm (36")	988.58.106
1067 mm (42")	988.58.107

Packing: 1 pc.



#### Grab Bar with Center Support

- Fastening with flanges only
- Flange Ø 70 mm (2 3/4")
- Ø 33 mm (1 5/16")
- 38 mm (1 1/2") clear space

Material: stainless steel

Length	Item No.
914 mm (36")	988.62.401
1067 mm (42")	988.62.402
1219 mm (48")	988.62.403

Packing: 1 pc.

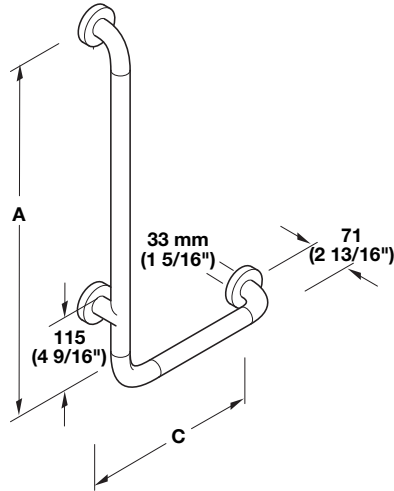
Dimensional data not binding. We reserve the right to alter specifications without notice.

Dimensions in mm  
Inches are approximate

### Grab Bars

#### HEWI-805 Series

- **Non-returnable items**
- Adequate wall blocking required
- Mounting hardware for wood installation included
- Custom sizes available, inquire for pricing
- Invisible mounting with snap-on cover
- ADA compliant

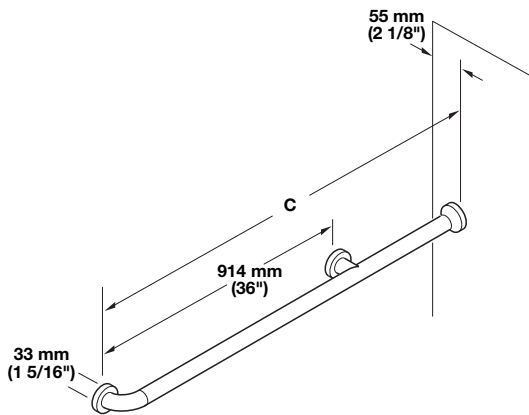


#### L-shaped Grab Bar, with corrosion resistant steel core

- Fastening with flanges only
  - Flange Ø 70 mm (2 3/4")
  - Ø 33 mm (1 5/16")
  - 38 mm (1 1/2") clear space
- Material: stainless steel

A x B	Item No.
610 x 305 mm (24" x 12") for left	988.72.000
610 x 305 mm (24" x 12") for right	988.72.010
914 x 457 mm (36" x 18") for left	988.72.020
914 x 457 mm (36" x 18") for right	988.72.030

Packing: 1 pc.



#### Toilet Compartment Grab Bar

- Fastening with flanges only
  - Flange Ø 70 mm (2 3/4")
  - Ø 33 mm (1 5/16")
  - 38 mm (1 1/2") clear space
- Material: stainless steel

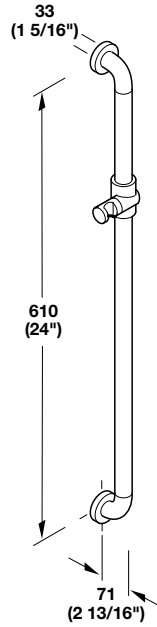
Length	Item No.
1219 mm (48")	988.82.901
1321 mm (52")	988.82.902
1372 mm (54")	988.82.903

Packing: 1 pc.

### Grab Bars

#### HEWI-805 Series

- **Non-returnable items**
- Adequate wall blocking required
- Mounting hardware for wood installation included
- Custom sizes available, inquire for pricing
- Invisible mounting with snap-on cover
- ADA compliant

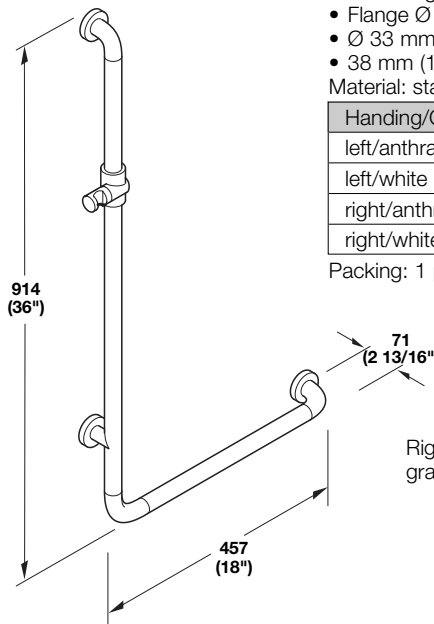


#### Grab Bar with Hand Shower Holder

- Fastening with flanges only
  - Flange Ø 70 mm (2 3/4")
  - Ø 33 mm (1 5/16")
  - 38 mm (1 1/2") clear space
- Material: stainless steel; Holder: polyamide

Color	Item No.
anthracite	988.66.092
white	988.66.099

Packing: 1 pc.



#### L-shaped Grab Bar with Hand Shower Holder

- Fastening with flanges only
  - Flange Ø 70 mm (2 3/4")
  - Ø 33 mm (1 5/16")
  - 38 mm (1 1/2") clear space
- Material: stainless steel; Holder: polyamide

Handing/Color	Item No.
left/anthracite	988.67.492
left/white	988.67.499
right/anthracite	988.67.592
right/white	988.67.599

Packing: 1 pc.

Right L-shaped grab bar shown

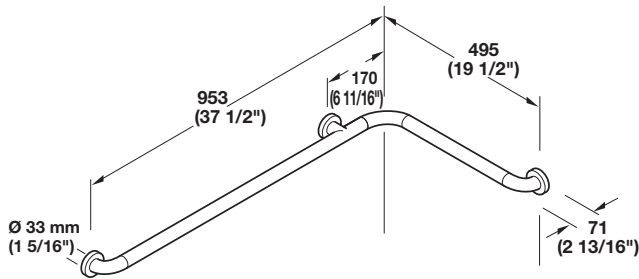
Dimensional data not binding. We reserve the right to alter specifications without notice.

Dimensions in mm  
Inches are approximate

**Grab Bars**

**HEWI-805 Series**

- **Non-returnable items**
- Adequate wall blocking required
- Mounting hardware for wood installation included
- Custom sizes available, inquire for pricing
- Support suitable for left or right hand position
- Invisible mounting with snap-on cover
- ADA compliant



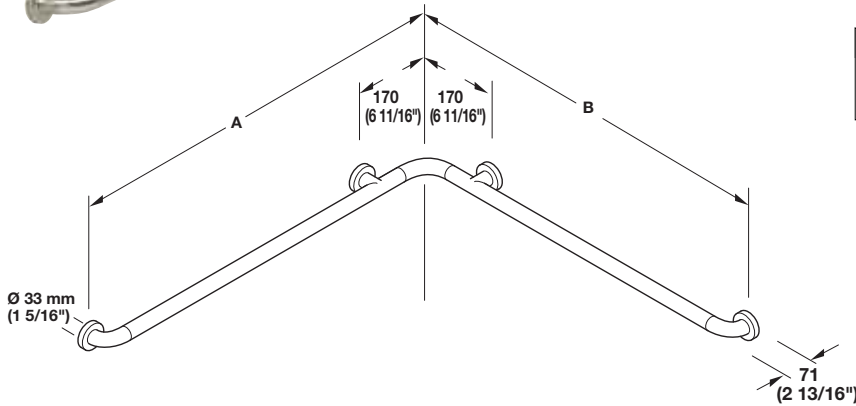
**Grab Bar**

- Can be used in left hand or right hand position
- Fastening with flanges only
- Flange Ø 70 mm (2 3/4")
- Ø 33 mm (1 5/16")
- 38 mm (1 1/2") clear space

Material: stainless steel

	Item No.
	988.65.001

Packing: 1 pc.



**Grab Bar**

- Can be used in left hand or right hand position
- Fastening with flanges only
- Flange Ø 70 mm (2 3/4")
- Ø 33 mm (1 5/16")
- 38 mm (1 1/2") clear space

Material: stainless steel

A x B	Item No.
648 x 648 mm (25 1/2" x 25 1/2")	988.65.002
953 x 953 mm (37 1/2" x 37 1/2")	988.65.003

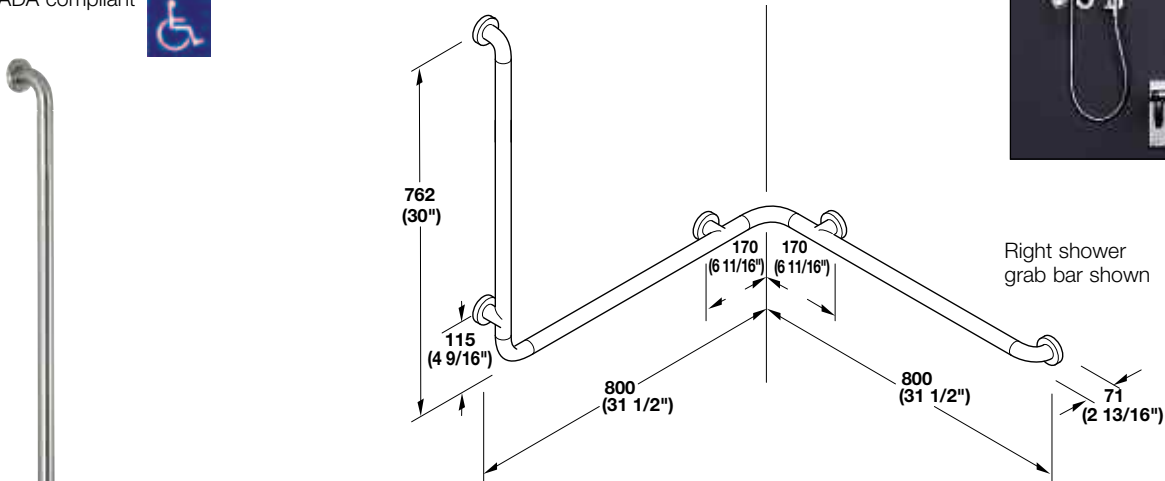
Packing: 1 pc.

Dimensions in mm  
Inches are approximate

### Grab Bars

#### HEWI-805 Series

- **Non-returnable items**
- Adequate wall blocking required
- Mounting hardware for wood installation included
- Custom sizes available, inquire for pricing
- Invisible mounting with snap-on cover
- ADA compliant



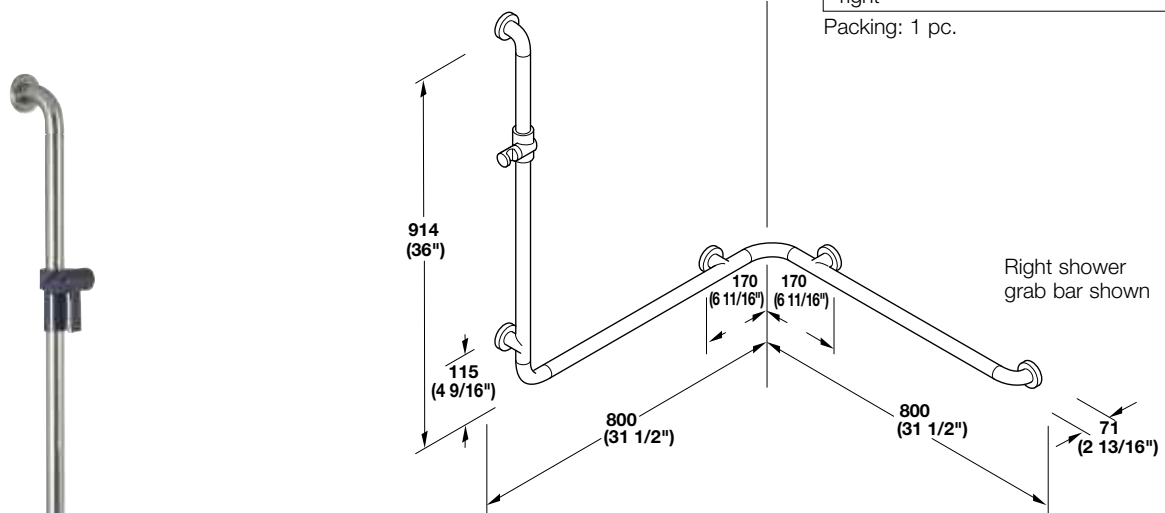
Right shower grab bar shown

#### Shower Grab Bar

- Fastening with flanges only
  - Flange Ø 70 mm (2 3/4")
  - Ø 33 mm (1 5/16")
  - 38 mm (1 1/2") clear space
- Material: stainless steel

Handing	Item No.
left	988.68.000
right	988.68.010

Packing: 1 pc.



Right shower grab bar shown

#### Shower Grab Bar with Hand Shower Holder

- Fastening with flanges only
  - Flange Ø 70 mm (2 3/4")
  - Ø 33 mm (1 5/16")
  - 38 mm (1 1/2") clear space
- Material: stainless steel

Holder: polyamide; Color: anthracite

Handing	Item No.
left	988.68.900
right	988.68.910

Packing: 1 pc.

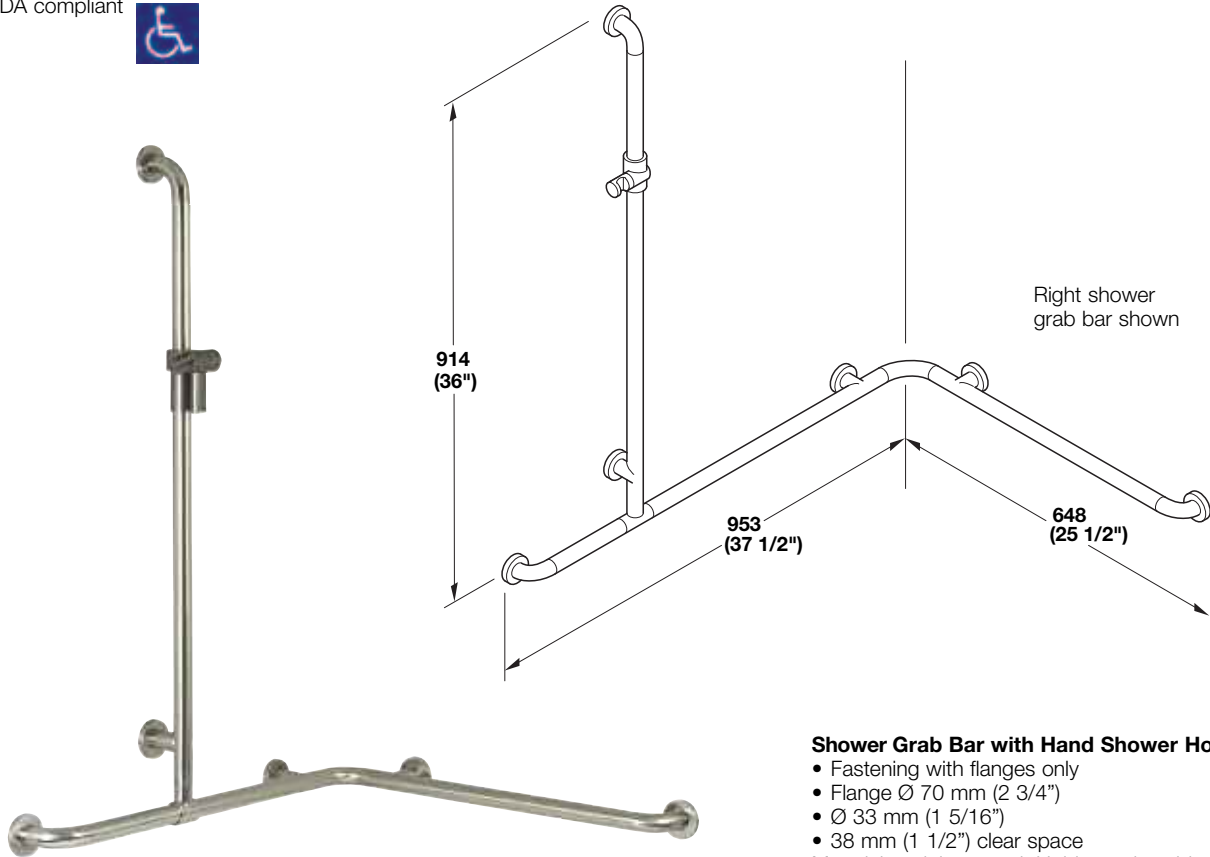
Dimensional data not binding. We reserve the right to alter specifications without notice.

Dimensions in mm  
Inches are approximate

### Grab Bars

#### HEWI-805 Series

- **Non-returnable items**
- Adequate wall blocking required
- Mounting hardware for wood installation included
- Support suitable for left or right hand position
- Invisible mounting with snap-on cover
- ADA compliant



#### Shower Grab Bar with Hand Shower Holder

- Fastening with flanges only
- Flange Ø 70 mm (2 3/4")
- Ø 33 mm (1 5/16")
- 38 mm (1 1/2") clear space

Material: stainless steel; Holder: polyamide

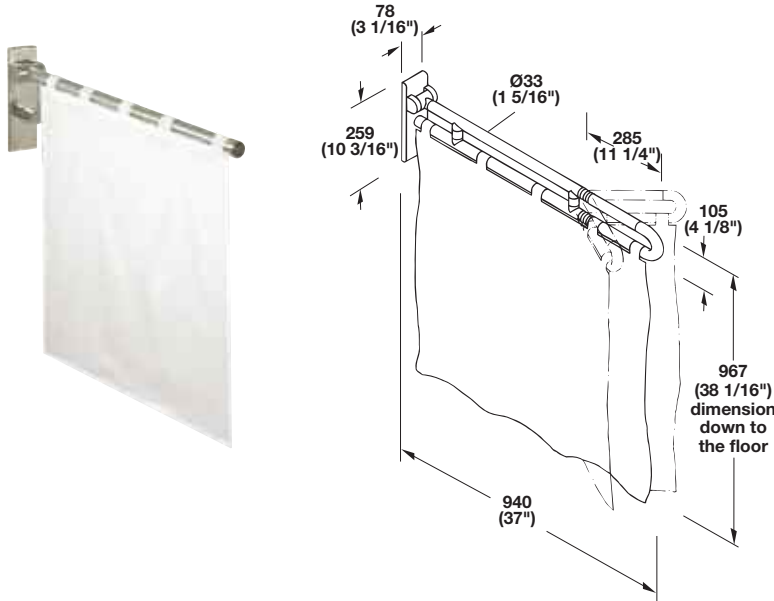
Handing/Color	Item No.
left/anthracite	988.96.092
left/white	988.96.099
right/anthracite	988.96.192
right/white	988.96.199

Packing: 1 pc.

### Protection Curtain Unit

#### HEWI-805 Series

- **Non-returnable items**
- Adequate wall blocking required
- Mounting hardware for wood installation included
- Invisible mounting with snap-on cover
- ADA compliant



#### Protection Curtain Unit, with fold up feature

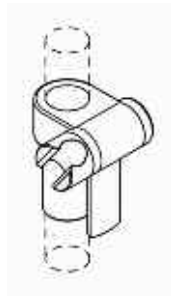
- Friction brake controls raising and lowering
- Integral wall mounting plate of corrosion resistant steel

Material: Rod: stainless steel

Curtain: polyester; Color: white

	Item No.
	988.56.600

Packing: 1 pc.



#### Hand Shower Holder

Material: polyamide

	Item No.
Color	anthracite
	988.69.692

Packing: 1 pc.

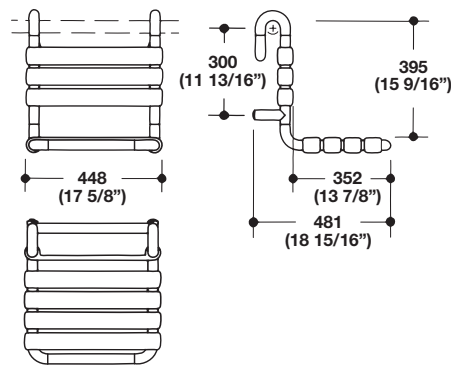
Dimensional data not binding. We reserve the right to alter specifications without notice.

Dimensions in mm  
Inches are approximate

# Shower Seats

## HEWI-805 Series

- **Non-returnable items**
- Adequate wall blocking required
- Mounting hardware for wood installation included
- Invisible mounting with snap-on cover



### Removable Hanging Seat

- Designed to hang on shower grab bar
  - Ø 33 mm (1 5/16")
  - 60 mm (2 3/8") wide slats
- Material: stainless steel; Slats: nylon; Color: anthracite

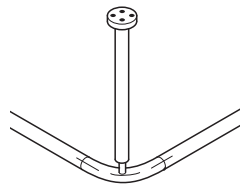
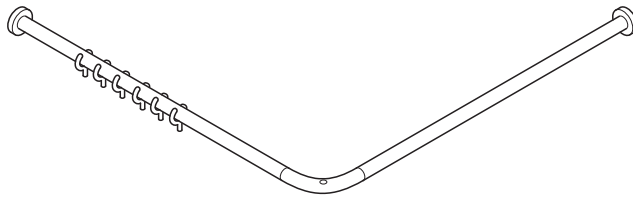
	Item No.
	988.96.292

Packing: 1 pc.

# Shower Rod

## HEWI-805 Series

- **Non-returnable items**
- Adequate wall and/or ceiling blocking required
- Length can be shortened on site at the flange fastening points
- Mounting hardware for wood installation included
- Invisible mounting with snap-on cover
- Mounting with flanges only



### L-shaped Curtain Rod

Material: stainless steel

	Item No.
	custom order

Packing: 1 pc.

### Ceiling Mounted Support

- Attached to ceiling with flange mounting
- Flange with snap-on cover Ø 70 mm (2 3/4")
- Can be shortened by a max. of 100 mm (3 15/16")
- Height adjustable by 10 mm (3/8")
- Length of support has to be specified, available range is: min. 85 mm – 1500 mm (3 3/8" – 59 1/16")
- Reducible on site only in range from 341 mm – 1500 mm (13 7/16" – 59 1/16")
- L = distance from center of rod to ceiling

Material: stainless steel

	Item No.
	custom order

Packing: 1 pc.

**Note: Custom order items must be ordered through a Technical Sales Specialist, please call 1-888-437-7477.**

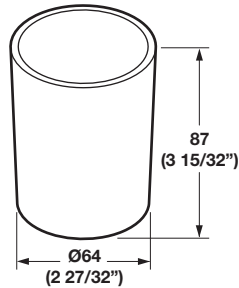
Dimensional data not binding. We reserve the right to alter specifications without notice.

Dimensions in mm  
Inches are approximate

### Bath Accessories

#### HEWI-805 Series

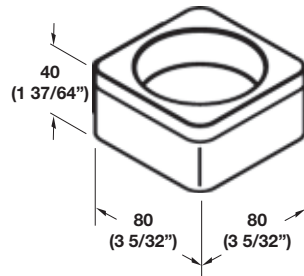
- **Non-returnable items**
- Adequate wall blocking required
- Mounting hardware for wood installation included
- Invisible mounting with snap-on cover
- ADA compliant



**Tumbler**, with flat bottom  
Material: glass

Item No.
988.21.001

Packing: 1 pc.

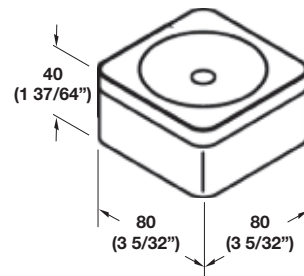


**Holder**

Material: stainless steel; Insert: polyamide

Color	Item No.
anthracite	988.09.092
white	988.09.099

Packing: 1 pc.



**Soap dish**

Material: stainless steel; Insert: polyamide

Color	Item No.
anthracite	988.04.492
white	988.04.499

Packing: 1 pc.

### Bath Accessories

#### HEWI-805 Series

- **Non-returnable items**
- Adequate wall blocking required
- Mounting hardware for wood installation included
- Invisible mounting with snap-on cover
- ADA compliant



#### Soap Dispenser

Capacity: 600 ml  
 W x H x D: 95 x 275 x 95 mm (3 3/4" x 10 7/8" x 3 3/4")  
 Material: stainless steel; Insert: polyamide

Color	Item No.
anthracite	988.03.492
white	988.03.499

Packing: 1 pc.

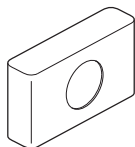


#### Paper Towel Waste Bin

Capacity: 25 liters  
 W x H x D: 300 x 510 x 170 mm  
 (11 7/8" x 20" x 6 11/16")  
 Material: stainless steel; Frame: polyamide

Color	Item No.
anthracite	988.99.992
white	988.99.999

Packing: 1 pc.



#### Sanitary Products Bag Dispenser

W x H x D: 160 x 90 x 55 mm  
 (6 5/16" x 3 1/2" x 2 3/16")  
 Material: stainless steel

Item No.
988.04.500

Packing: 1 pc.

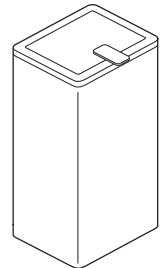


#### Paper Towel Dispenser

Capacity: 300-450 paper towels  
 W x H x D: 300 x 360 x 120 mm  
 (11 7/8" x 14 1/8" x 4 3/4")  
 Material: stainless steel; Insert: polyamide

Color	Item No.
anthracite	988.90.992
white	988.90.999

Packing: 1 pc.



#### Sanitary Products Waste Bin

Capacity: 6 liters  
 W x H x D: 160 x 300 x 140 mm  
 (6 5/16" x 11 7/8" x 5 1/2")  
 Material: stainless steel

Item No.
988.04.300

Packing: 1 pc.

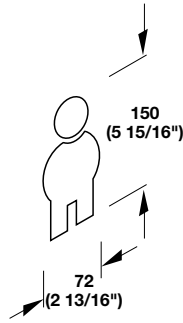
Dimensional data not binding. We reserve the right to alter specifications without notice.

Dimensions in mm  
 Inches are approximate

**Bath Accessories**

**HEWI-805 Series**

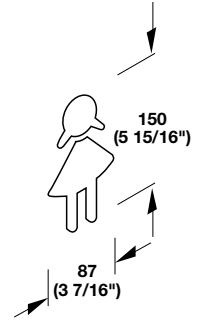
- **Non-returnable items**
- Adequate wall blocking required
- Mounting hardware for wood installation included
- Invisible mounting with snap-on cover
- ADA compliant



**Symbol, male, self adhesive back**  
Material: stainless steel

Item No.
987.05.900

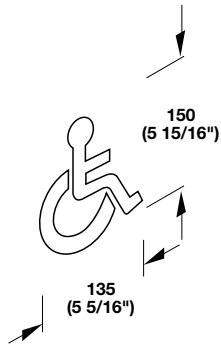
Packing: 1 pc.



**Symbol, female, self adhesive back**  
Material: stainless steel

Item No.
987.05.910

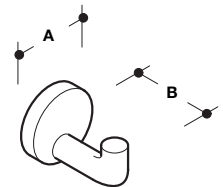
Packing: 1 pc.



**Symbol, accessible, self adhesive back**  
Material: stainless steel

Item No.
987.05.920

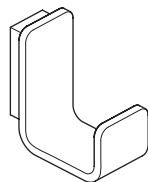
Packing: 1 pc.



**Hook, Ø 15 mm (5/8")**  
Material: stainless steel

A x B	Item No.
55 x 50 mm (2 11/64" x 1 31/32")	844.13.000
70 x 80 mm (2 49/64" x 3 5/32")	844.13.001

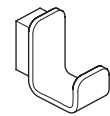
Packing: 1 pc.



**Wall Hook**  
• 50 mm (2") deep  
Material: stainless steel

Item No.
844.13.011

Packing: 1 pc.



**Wall Hook**  
• 30 mm (1 1/4") deep  
Material: stainless steel

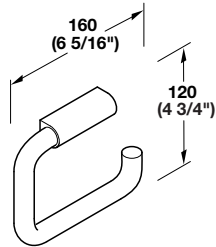
Item No.
844.13.010

Packing: 1 pc.

### Bath Accessories

#### HEWI-805 Series

- **Non-returnable items**
- Adequate wall blocking required
- Mounting hardware for wood installation included
- Invisible mounting with snap-on cover
- ADA compliant

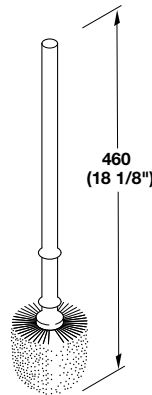


#### Toilet Tissue Holder or Towel Holder

Material: stainless steel

	Item No.
	988.96.700

Packing: 1 pc.

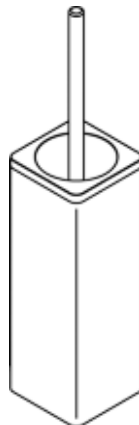


#### Toilet Brush

Material: stainless steel

Color	Item No.
anthracite	988.96.692
white	988.96.699

Packing: 1 pc.



#### Toilet Brush Unit

Material: stainless steel; Insert: polyamide

Color	Item No.
anthracite	988.96.592
white	988.96.599

Packing: 1 set

Dimensional data not binding. We reserve the right to alter specifications without notice.

Dimensions in mm  
Inches are approximate