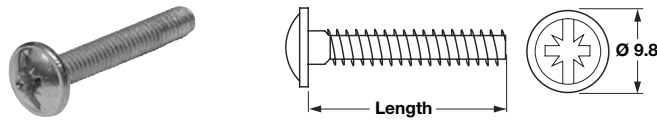


Screws for Decorative Hardware

Modified Truss Head Screws with Combi Cross/slot Drive



Screw, M4, with combi cross/slot drive
Material: steel; Finish: zinc-plated

Length mm (inches)	Item No.	Packing	Bulk Item No.	Packing
M4 x 8 (5/16")	022.35.081	100 pcs.	022.45.081	1,000 pcs.
M4 x 9 (3/8")	022.35.090	100 pcs.	022.45.090	1,000 pcs.
M4 x 10 (13/32")	022.35.109	100 pcs.	022.45.109	1,000 pcs.
M4 x 12 (1/2")	022.35.127	100 pcs.	022.45.127	1,000 pcs.
M4 x 15 (5/8")	022.35.154	100 pcs.	022.45.154	1,000 pcs.
M4 x 18 (11/16")	022.35.181	100 pcs.	022.45.181	1,000 pcs.
M4 x 20 (13/16")	022.35.207	100 pcs.	022.45.207	1,000 pcs.
M4 x 22 (7/8")	022.35.225	100 pcs.	022.45.225	1,000 pcs.
M4 x 23 (15/16")	022.35.234	100 pcs.	022.45.234	1,000 pcs.
M4 x 25 (1")	022.35.252	100 pcs.	022.45.252	1,000 pcs.

Screw, 8-32, with combi cross/slot drive
Material: steel; Finish: yellow chromate

Length mm (inches)	Item No.	Packing	Bulk Item No.	Packing
8-32 x 10 (13/32")	022.24.100	100 pcs.	022.25.100	1,000 pcs.
8-32 x 15 (5/8")	022.24.150	100 pcs.	022.25.150	1,000 pcs.
8-32 x 20 (13/16")	022.24.200	100 pcs.	022.25.200	1,000 pcs.
8-32 x 22 (7/8")	022.24.229	100 pcs.	022.25.229	1,000 pcs.
8-32 x 25 (1")	022.24.256	100 pcs.	022.25.256	500 pcs.

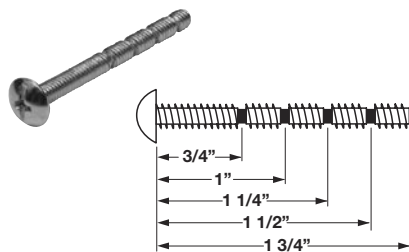


Screw, M4, with combi cross/slot drive
• Install with a #2 Pozzi drive or #2 Phillips screwdriver
Material: steel; Finish: nickel-plated

Length mm (inches)	Item No.	Packing	Bulk Item No.	Packing
M4 x 15 (5/8")	022.34.157	100 pcs.	022.44.157	1,000 pcs.
M4 x 25 (1")	022.34.255	100 pcs.	022.44.255	1,000 pcs.

Length mm (inches)	Item No.	Packing	Bulk Item No.	Packing
M4 x 28 (1 1/8")	022.35.289	100 pcs.	022.45.289	500 pcs.
M4 x 30 (1 3/16")	022.35.305	100 pcs.	022.45.305	500 pcs.
M4 x 35 (1 3/8")	022.35.350	100 pcs.	022.45.350	500 pcs.
M4 x 38 (1 1/2")	022.35.387	100 pcs.	022.45.387	500 pcs.
M4 x 40 (1 9/16")	022.35.403	100 pcs.	022.45.403	500 pcs.
M4 x 45 (1 3/4")	022.35.458	100 pcs.	022.45.458	500 pcs.
M4 x 50 (2")	022.35.501	100 pcs.	022.45.501	500 pcs.
M4 x 55 (2 5/32")	022.35.550	100 pcs.	022.45.550	500 pcs.
M4 x 60 (2 3/8")	022.35.609	100 pcs.	022.45.609	500 pcs.
M4 x 70 (2 3/4")	022.35.700	100 pcs.	022.45.700	300 pcs.
M4 x 75 (3")	022.35.750	100 pcs.	022.45.750	300 pcs.

Length mm (inches)	Item No.	Packing	Bulk Item No.	Packing
8-32 x 32 (1 1/4")	022.24.327	100 pcs.	022.25.327	500 pcs.
8-32 x 38 (1 1/2")	022.24.381	100 pcs.	022.25.381	500 pcs.
8-32 x 45 (1 3/4")	022.24.452	100 pcs.	022.25.452	500 pcs.
8-32 x 75 (3")	022.24.750	100 pcs.	022.25.750	300 pcs.



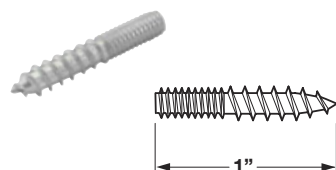
Screw, 8-32, cut-off
Material: steel; Finish: yellow chromate

- Install with a #2 Phillips screwdriver
- Can be cut to length by using wire snips
- Length options: 3/4", 1", 1 1/4", 1 1/2" & 1 3/4"

Length mm (inches)	Item No.	Packing	Bulk / Item No.	Packing
8-32 x 19 – 45 (3/4 x 1 3/4")	022.24.881	100 pcs.	022.25.881	500 pcs.

Screw, M4, cut-off
Material: steel; Finish: zinc-plated

Length mm (inches)	Item No.	Packing	Bulk / Item No.	Packing
M4 x 19 – 45 (3/4 x 1 3/4")	022.35.887	100 pcs.	022.45.887	500 pcs.



Hangar Bolt, M4
Material: steel; Finish: zinc-plated

Length mm (inches)	Item No.	Packing	Bulk / Item No.	Packing
M4 x 25 (1")	026.11.902	100 pcs.	026.11.922	1,000 pcs.

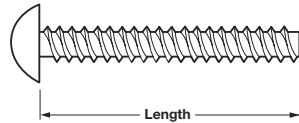
Hangar Bolt, 8-32
Material: steel; Finish: yellow chromate

Length mm (inches)	Item No.	Packing	Bulk / Item No.	Packing
8-32 x 25 (1")	026.11.942	100 pcs.	026.11.962	1,000 pcs.

Dimensional data not binding. We reserve the right to alter specifications without notice.

Dimensions in mm
Inches are approximate

Screws for Decorative Hardware

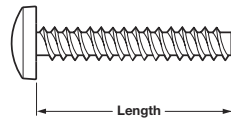


M6 Screw with #2 Phillips Drive

Material: steel; Finish: zinc-plated

Length	Item No.
M6 x 20 mm (13/16")	020.43.271
M6 x 25 mm (1")	020.43.272
M6 x 30 mm (1 3/16")	020.43.273
M6 x 40 mm (1 9/16")	020.43.275
M6 x 45 mm (1 3/4")	020.43.276
M6 x 50 mm (2")	020.43.277
M6 x 65 mm (2 9/16")	020.43.280
M6 x 75 mm (3")	020.43.282

Packing: 50 pcs.

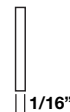


1/4-20 Screw with #2 Phillips Drive

Material: steel; Finish: zinc-plated

Length	Item No.
1/4-20 x 3/4"	020.42.271
1/4-20 x 1"	020.42.272
1/4-20 x 1 1/4"	020.42.273
1/4-20 x 1 1/2"	020.42.275
1/4-20 x 1 3/4"	020.43.276
1/4-20 x 2"	020.42.277
1/4-20 x 2 1/2"	020.42.280
1/4-20 x 3"	020.42.282

Packing: 50 pcs.

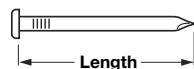


Washer for Deco Screws

Material: steel

Finish	Item No.
zinc-plated	037.05.934

Packing: 50 pcs.

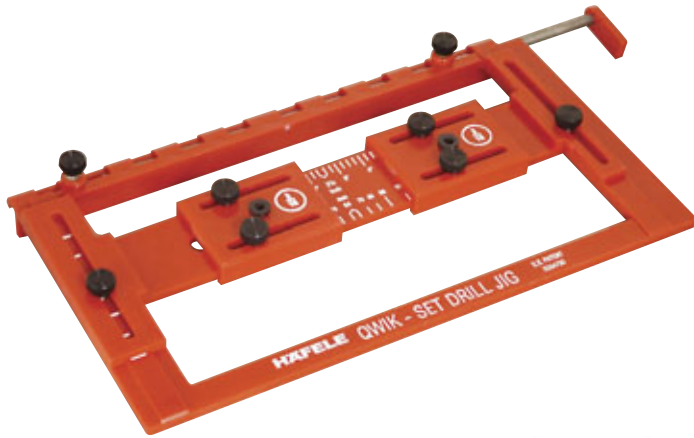


Round Head Metal Brads

Material: steel

Finish	Length (mm)	Item No.	Packing
brass-plated	.9 x 11	076.40.119	7,400 pcs.
nickel-plated	.9 x 11	076.40.217	7,400 pcs.
nickel-plated	1.6 x 15	076.40.299	2,000 pcs.

Drilling Jigs for Handles



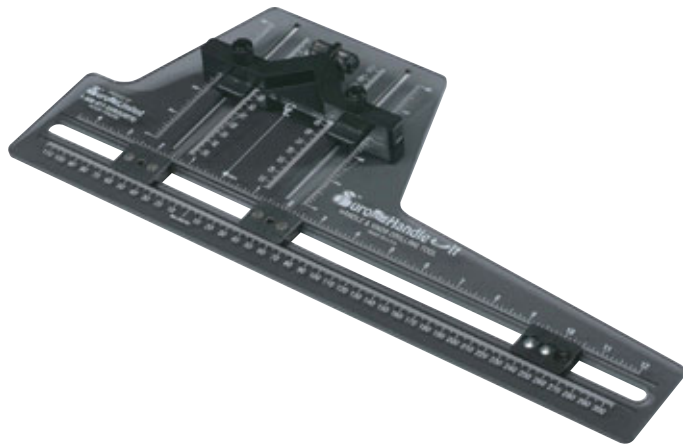
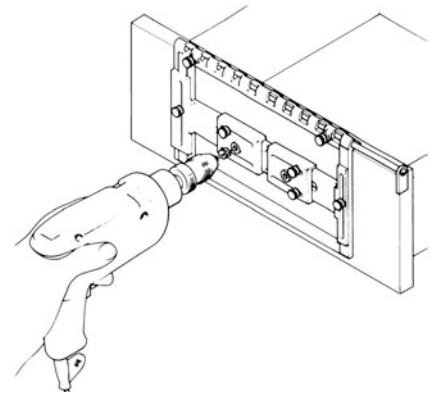
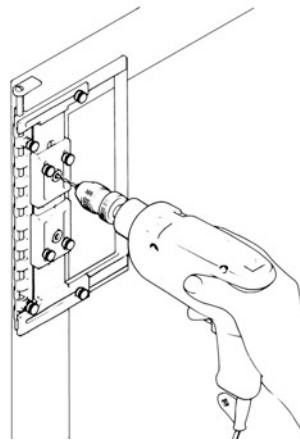
Quick-Set Drilling Jig for Handles

- For precise drilling and positioning of handles on doors, flaps and drawer fronts
- Convertible side stop, can be used horizontally and vertically
- Drilling bushings: for drilling \varnothing 4.3 - 4.6 mm (11/64"-3/16")
- Drill hole spacing: adjustable from 64 -143 mm (2 1/2"-5 5/8")
- Distance from edge: adjustable from 26 -103 mm (1 1/16"-4 1/16")

Material: plastic with hardened drilling bushings

Color	Item No.
red	001.31.233

Packing: 1 pc.



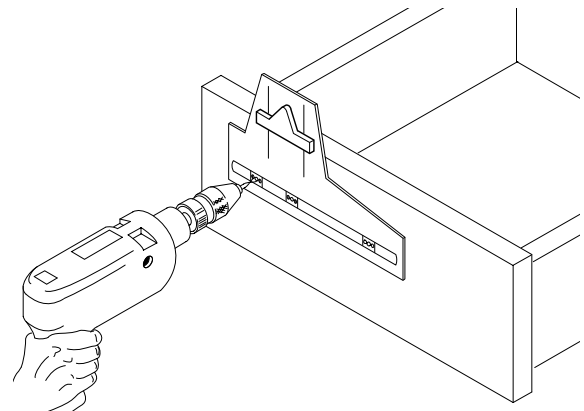
Quick-Set Drill Jig for Pulls

- For pulls on doors or drawer fronts
- Ideal for small to medium size shops
- With metric and inch scale
- Use a 4.5 mm or 3/16" drill

Material: plastic

Color	Item No.
black	001.35.001

Packing: 1 pc.



Dimensional data not binding. We reserve the right to alter specifications without notice.

Dimensions in mm
Inches are approximate