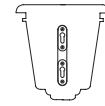
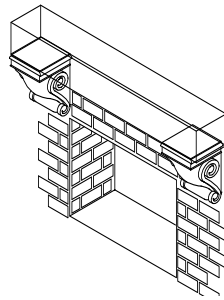
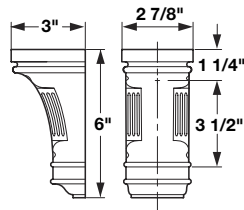
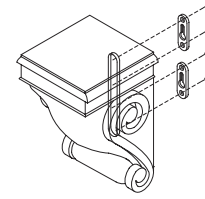


### Regency Collection – Corbels

- Designed to complement onlays, mouldings and posts on pages **49-50**
- Use with mantels, room decorations, islands, etc.
- Details are hand-carved
- If using keyhole plates to mount corbels use #8, or larger screws
- Produced from laminated stock and wood, each corbel is color matched
- Within a color match there may be slight variation of color from white to light gray or light brown



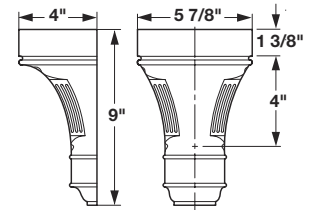
Corbels can be mounted with keyhole plates provided and pre-attached.



**Hand Carved**

Wood species	Item No.
Maple	198.00.160
Cherry	198.00.660

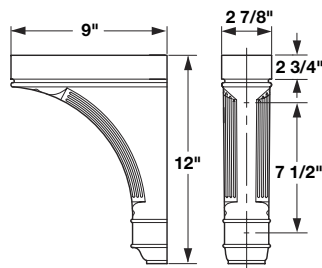
\*Packing: 2 pcs.



**Hand Carved**

Wood species	Item No.
Maple	198.00.150
Cherry	198.00.650

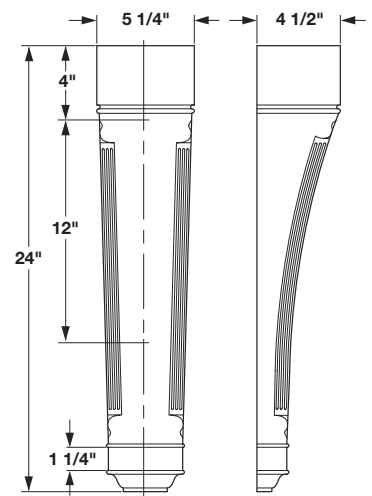
Packing: 1 pc.



**Hand Carved**

Wood species	Item No.
Maple	198.00.140
Cherry	198.00.640

Packing: 1 pc.



**Hand Carved**

Wood species	Item No.
Maple	198.00.170
Cherry	198.00.670

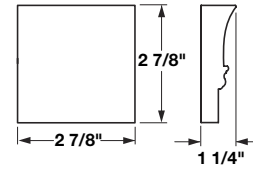
Packing: 1 pc.

Dimensional data not binding. We reserve the right to alter specifications without notice.

**\*Minimum order quantity is 1 piece.**

# Regency Collection – Onlays and Mouldings

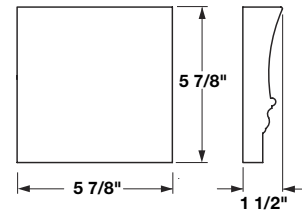
- Highly detailed
- Hand-carved
- Designed to complement corbels and posts on pages 48 & 50



**Hand Carved**

Wood species	Item No.
Maple	198.03.120
Cherry	198.03.620

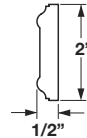
\*Packing: 10 pcs.



**Hand Carved**

Wood species	Item No.
Maple	198.03.130
Cherry	198.03.630

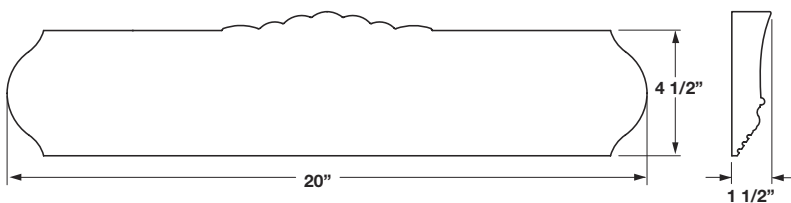
\*Packing: 10 pcs.



**Hand Carved, 96" long**

Wood species	Item No.
Maple	198.02.110
Cherry	198.02.610

Packing: 1 pc.



**Hand Carved**

Wood species	Item No.
Maple	198.01.110
Cherry	198.01.610

\*Packing: 10 pcs.

Dimensional data not binding. We reserve the right to alter specifications without notice.

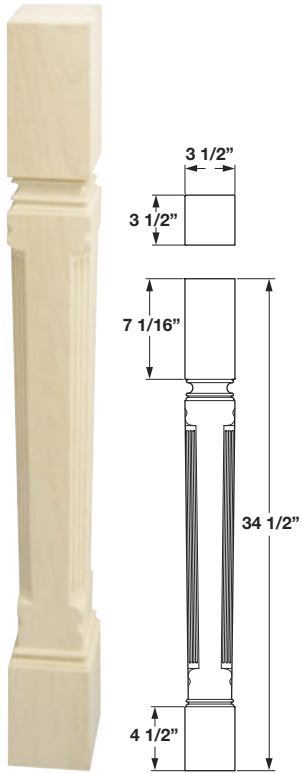
**Other species available. Minimum 100 piece order. Ask for details.**

**\*Minimum order quantity is 1 piece.**

Dimensions in Inches

# Regency Collection – Posts

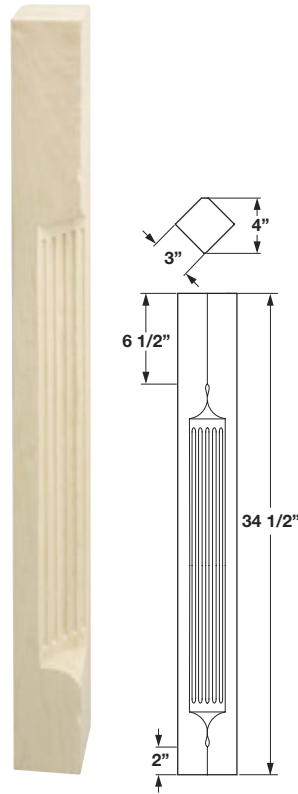
• Designed to complement corbels and onlays on preceding pages



**Hand Carved**

Wood species	Item No.
Maple	635.74.140
Cherry	635.74.640

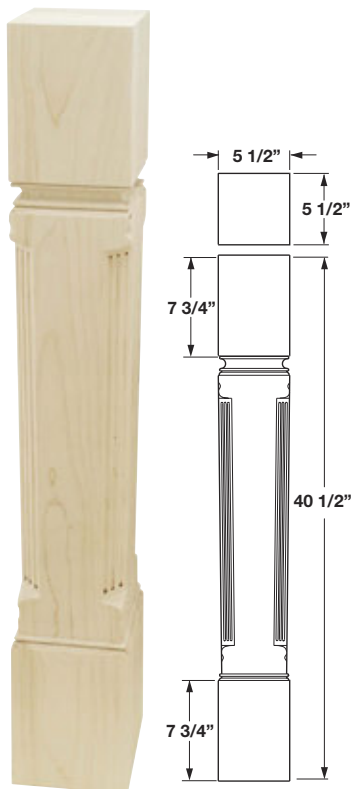
Packing: 1 pc.



**Hand Carved Corner Post**

Wood species	Item No.
Maple	635.50.158
Cherry	635.50.658

Packing: 1 pc.



**Hand Carved**

Wood species	Item No.
Maple	635.74.160
Cherry	635.74.660

Packing: 1 pc.

**Other species available. Minimum 100 piece order. Ask for details.**