

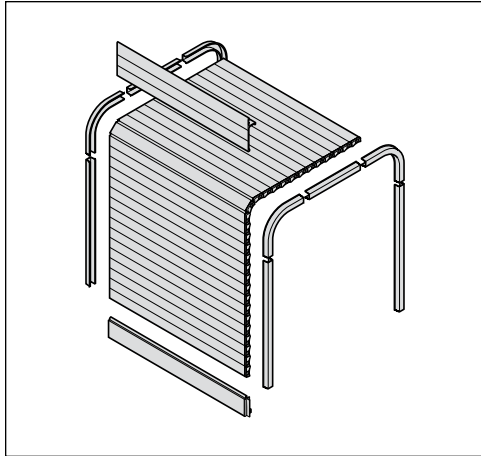


Request Form: Custom Aluminum Tambour Units

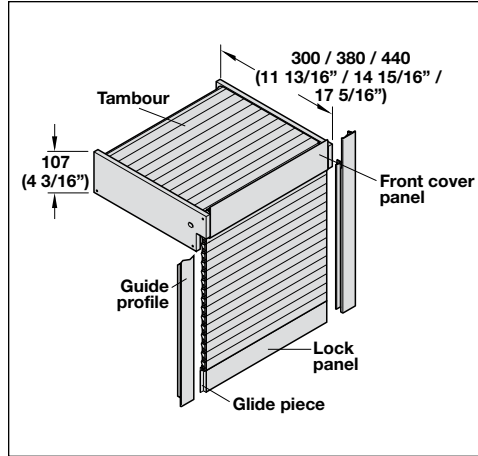
Customer Information:

Contact Name: _____ Contact Phone: _____
 Company Name: _____ Account#: _____
 Contact E-mail: _____ PO#: _____

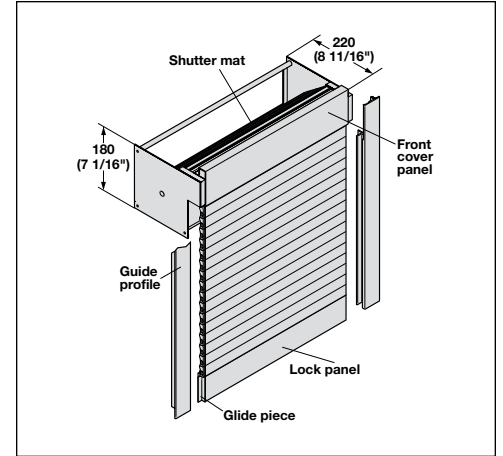
1) Choose a shutter type (Tambours without a lock have an integrated finger grip)



Version B



Module A



Module C (vertical only):

For Cabinet Sizes - Version B

Profile height	Profile type	Inside cabinet width
18 (23/32")	Single-walled, smooth	max. 1200 (47 1/4") (without balance shaft)
		1201-1500 (47 5/16"-59 1/16") (with balance shaft)
24 (15/16")	Single-walled, smooth	max. 1200 (47 1/4") (without balance shaft)
		1201-1500 (47 5/16"-59 1/16") (with balance shaft)
24 (15/16")	Double-walled, smooth	max. 1200 (47 1/4")
34 (1 11/32")	Single-walled, smooth	max. 1200 (47 1/4")
34 (1 11/32")	Double-walled, smooth	max. 1200 (47 1/4")

For Cabinet Sizes - Module A + C

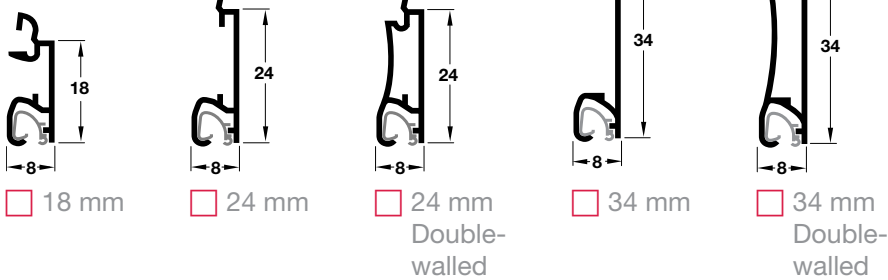
Profile height	Profile type	Internal cabinet width	Internal cabinet height
18 (23/32")	Single-walled, smooth (A + C)	382-460 (15 1/16"-18 1/8")	max. 800 (31 1/2")
		461-1500 (18 1/8"-59 1/16")	max. 1900 (74 13/16")
24 (15/16")	Single-walled, smooth (A + C)	382-460 (15 1/16"-18 1/8")	max. 1000 (39 3/8")
		461-1600 (18 1/8"-63")	max. 1900 (74 13/16")
	Double-walled, smooth (C only)	382-460 (15 1/16"-18 1/8")	max. 1000 (39 3/8")
		461-1800 (18 1/8"-70 7/8")	max. 1900 (74 13/16")
34 (1 11/32")	Single-walled, smooth (C only)	382-460 (15 1/16"-18 1/8")	max. 1000 (39 3/8")
		461-1600 (18 1/8"-63")	max. 1900 (74 13/16")
	Double-walled, smooth (C only)	382-460 (15 1/16"-18 1/8")	max. 1000 (39 3/8")
		461-1800 (18 1/8"-70 7/8")	max. 1900 (74 13/16")

HtoO Request Form: Custom Aluminum Tambour Units (page 2)

Customer Information:

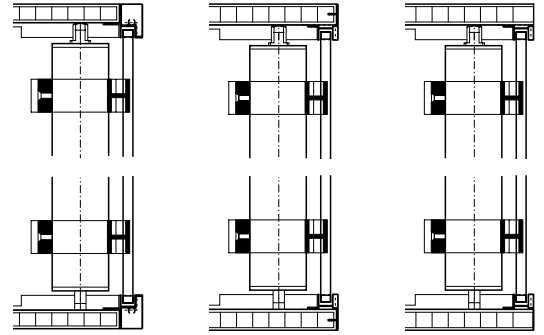
Contact Name: _____ Account#: _____

2) Choose a profile height



- 18 mm
- 24 mm
- 24 mm Double-walled
- 34 mm
- 34 mm Double-walled

4) Choose overlay or inset installation (A & C only)



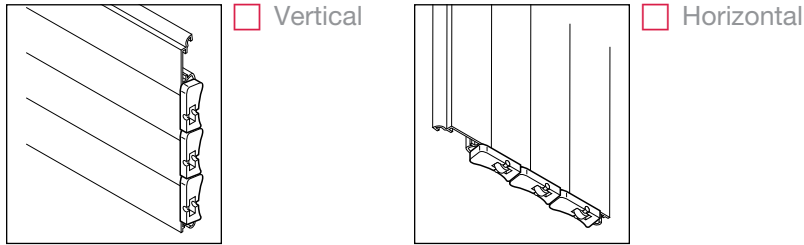
- Overlay
- Inset
- Inset Cabinet Edge Visible

3) Choose a shutter color



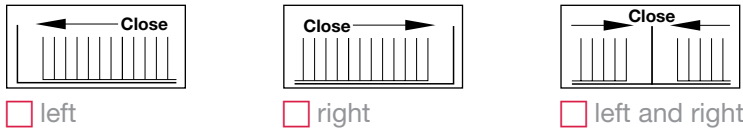
- Aluminum
- Stainless Steel
- RAL Powder Coat
Provide RAL#: _____

5) Specify sliding direction

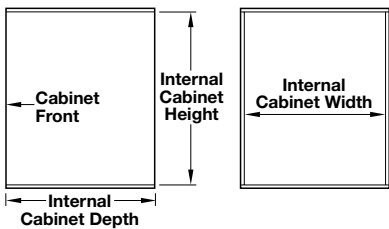


- Vertical
- Horizontal

5.1) For horizontal applications only, please choose one (A & B only)



- left
- right
- left and right



- 6) Internal cabinet width:** _____ mm _____ in.
- 7) Internal cabinet height:** _____ mm _____ in.
- 8) Internal cabinet depth:** _____ mm _____ in.

9) Please choose options:

- Pre-installed lock:
 - Yes No
- Customer installed recessed handle or lock (Needs lock strip):
 - Yes No
- With or without cabinet bottom:
 - With Without

10) Order quantity: _____