

HÄFELE

DIALOCK IN FURNITURE

SAFE. INNOVATIVE. CONVENIENT.



DIALOCK IN FURNITURE

THE ELECTRONIC FURNITURE LOCKING SYSTEM FROM HÄFELE.
INTELLIGENT, INVISIBLE AND ABSOLUTELY RELIABLE.



WHY CHOOSE DIALOCK FROM HÄFELE?

The requirements for electronic locking systems in furniture are becoming increasingly complex. Safe and intelligent solutions are needed.

The electronic furniture locking system from Häfele is future-proof and flexible, thanks to the latest BLE technology. The system is configured with maximum ease via smartphone or tablet. Uniform transponder technologies in the entire Dialock system also enable the combination and central operation of furniture locks.

DIALOCK IN FURNITURE SETS NEW STANDARDS

SAFE

Tested and certified products according to German quality standards for high product safety and consistent quality.

INNOVATIVE

Future-oriented solutions developed to meet customer needs.

CONVENIENT

Quick installation, simple configuration, uncomplicated operation.

UNIQUE FEATURES OF DIALOCK IN FURNITURE



Trend-setting BLE technology for easy configuration via smartphone or tablet.



Uniform transponder technologies.



Time and cost savings thanks to fewer components.



Unobtrusive or even invisible installation of the components in the furniture.

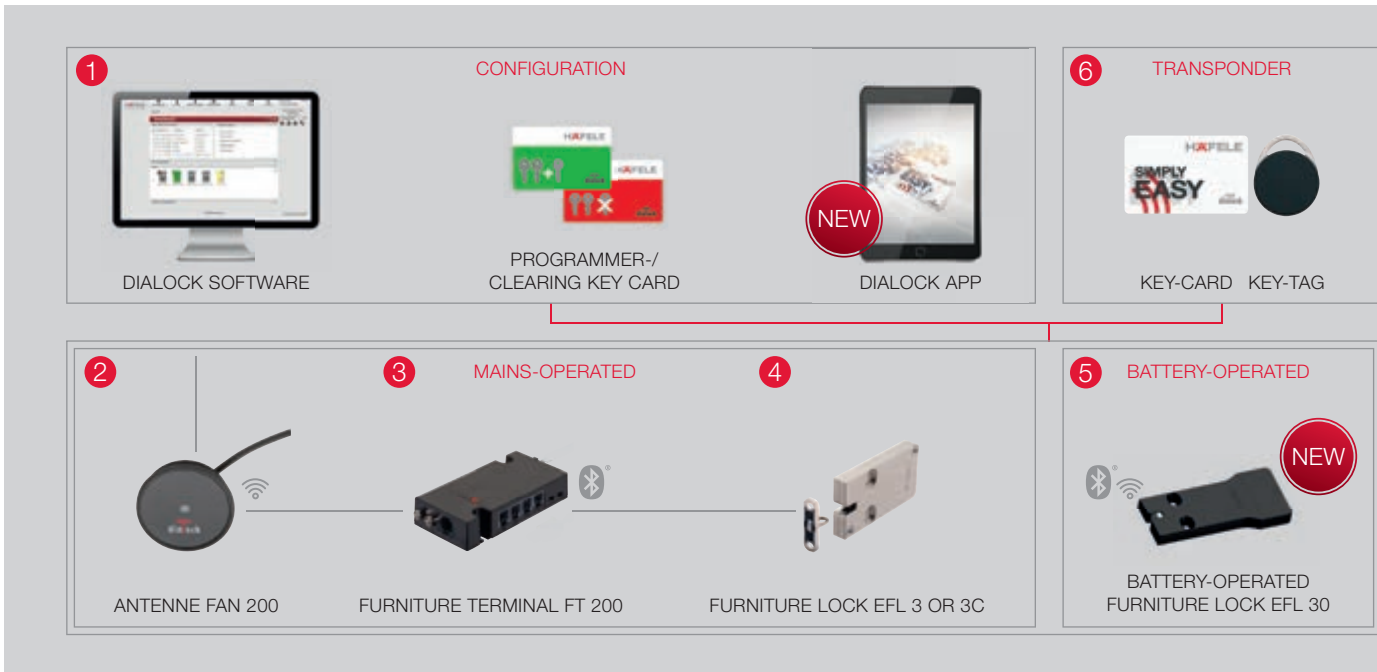


Quick and easy plug & play installation.



State-of-the-art security technologies – reliable even for applications with maximum frequency of use.

SMART SYSTEM COMPONENTS.



1 CONFIGURATION

Standalone configuration via programming and clearing key card or with Dialock software.

- NEW:** App for simple locking map creation, commissioning and access control: Simplification of key generation
 Convenient management of access rights
 Specific device settings

2 ANTENNA FAN 200

Reader unit for transponders with integrated LED to indicate the device status.

- > Two antenna connections on the FT 200 furniture terminal
- > Transponder technologies: Tag-it™ ISO, Mifare Classic EV1, Mifare DESfire EV1 and EV2
- > Concealed installation behind panels is possible

3 FURNITURE TERMINAL FT 200 / FT 200 CAP

Intelligent furniture terminal for direct control of up to four furniture locks.

- > BLE Bluetooth 5 ready and other protocol types
- > Two connection sockets for RFID furniture antenna FAN 200
- > Macro programming for customer-specific settings and additional functions
- > Keyed alike or keyed different locking of the connected furniture locks
- > Power supply with plug (order separately)

4 FURNITURE LOCK EFL 3 / EFL 3C

Mains-operated electric lock for hinged or sliding doors, drawers and roller shutters in furniture.

- > Electromotive locking not affected by magnetic fields
- > Flat design for variable and integrated installation
- > EFL 3C with optional feedback contact for door status indication (alarm function)

5 NEW: BATTERY FURNITURE LOCK EFL 30

Battery-operated furniture lock for indoor use.

- > Ideal for single locking points and mobile furniture
- > BLE Bluetooth 5 ready
- > Flat and compact
- > With internal RFID antenna
- > Alarm function for low battery voltage

6 TRANSPONDER

Transponder for the Dialock system in various designs.

- > Available technologies: Tag-it™ ISO, Mifare Classic EV1, Mifare DESfire EV1 und EV2
- > Key card or key tag
- > Unaffected by mechanical or electromagnetic influences
- > Individually printable on request

DIALOCK IN FURNITURE – EFL 30

THE BATTERY-OPERATED FURNITURE LOCK.

ADVANTAGES

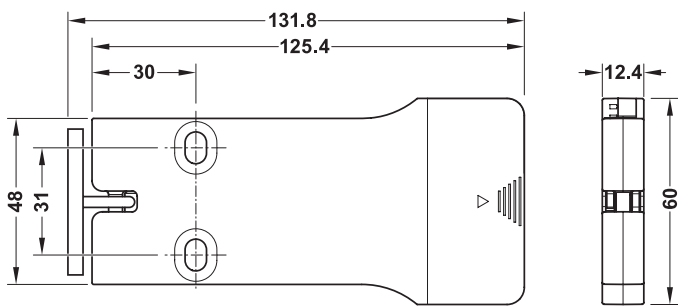
- > Product range extension and addition to the mains-operated EFL 3 with FT 200
- > Flat and compact dimensions
- > BLE technology for configuration
- > With internal RFID antenna
- > RFID technologies: Tag-It
 - MIFARE Classic EV1
 - MIFARE DESFire EV1/EV2
- > Configuration either in stand-alone mode or with the Dialock software
- > New: Configuration via smartphone with the Häfele Dialock Manager app



AREAS OF APPLICATION

- > Ideal for mobile furniture and individual locking points indoors
- > For hinged doors, lid and flap stays, sliding doors, drawers and roller shutters in furniture, office and store equipment.

TECHNICAL DIMENSIONS



MOUNTING EXAMPLES

Hinged door



Cabinet



Drawer



To open the EFL 30, the transponder must be held against the outside of the lock.

HÄFELE MY DIALOCK MANAGER APP.

ASSIGN ACCESS AUTHORIZATIONS EASILY BY SMARTPHONE.



SMART AND MODERN SOLUTION.

The Häfele My Dialock Manager app provides a modern solution for configuring the Dialock access control system, using a smartphone app. In particular, managing furniture terminals via the app demonstrates the wide range of applications of the Dialock access control system.

The creation of a locking map, the assignment of access authorizations, the generation of user keys, and commissioning are all carried out conveniently with a smartphone, using an intuitively guided process. The system can be individually configured using time and user group models, as well as alarm modes. Special add-ons allow for additional customer-specific functions.

AREAS OF APPLICATION.

Commissioning and management of small projects and access control systems via smartphone.

- > Shops | store fixtures
- > Office and co-working projects
- > Retail Luxury
- > Apartment houses | Serviced apartments
- > Student residence casework
- > Senior residence casework
- > Dispensaries

LOCKING MAP AND COMMISSIONING AT A FINGER TIP.



Configuration, commissioning, and management of locking authorizations for furniture terminals.



Additional functions possible with customer-specific add-ons.



Programming of the Dialock user keys with NFC interface of smartphones.



Hardware function check.



Creation of locking maps, including groups, room zones, and time models.



Firmware updates via smartphone.

ACCESS CONTROL VIA SMARTPHONE APP.

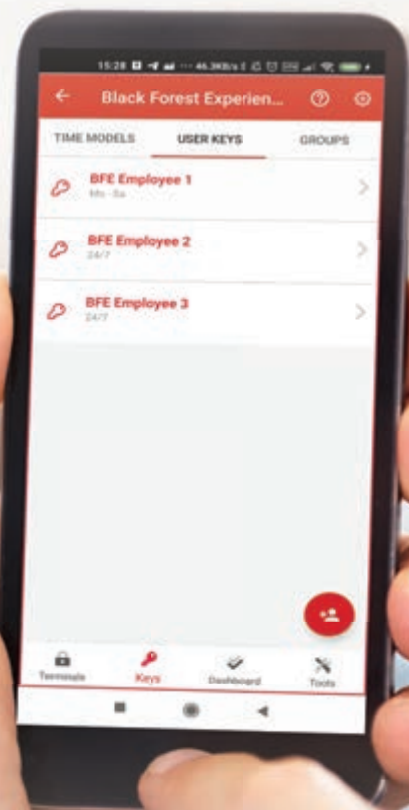
MODULAR STRUCTURE FROM BASIC TO FULL VERSION.

APP FOR DOWNLOAD.

Apple Store



Google Play Store



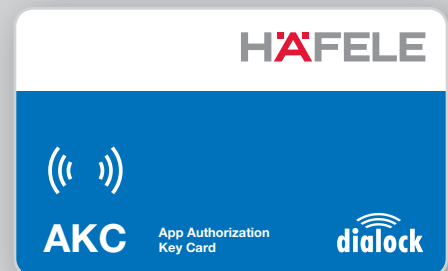
SECURITY.

2-factor authentication is required for system administration and use of the full range of functions of the app. The two factors are inextricably linked and therefore offer a very high level of security. Only those who have both parts can commission and administer a project.

Factor 1: App authorization key card (AKC)

Factor 2: Project licence code

The basic functions can be used without a license project code, as an introduction to the system. All you need is the App authorization key card (factor 1) to enable data exchange between the app and the terminal.



ACCESS CONTROL VIA SMARTPHONE APP.

MODULAR STRUCTURE FROM BASIC TO FULL VERSION.

BASIC FUNCTIONS.

- > Programming and commissioning of up to three terminals
- > Management of up to 1000 user keys; All user keys are authorized for all terminals
- > Use of door open alarm for 20 seconds (cannot be edited)
- > Firmware updates of the terminals via the mobile device
- > Hardware function check

LICENSE OVERVIEW (EXCERPT).

Licences*	Additional user groups or access zones	Item No.
HDM 20 – 20 terminals	–	910.52.951
HDM 50 – 50 terminals	3	910.52.952
HDM 100 – 100 terminals	5	910.52.953
HDM 200 – 200 terminals	10	910.52.954
SWX HDM – time model	–	910.52.958
SWX Premium add-on (macro)	–	910.52.191
App authorization key card (AKC) – 3 pcs.	–	917.64.980

* Additional terminals, user groups, and access zones can be added and integrated as needed.

FULL FEATURES.

Depending on the license and at additional cost.

Same as basic function, plus:

- > Creation of individual locking maps
- > Creation/use of time models
- > Grouping of user keys (employee groups)
- > Grouping of terminals to projects/areas - larger furniture with more than one terminal or grouping of terminals in one area
- > Add-on functions (customer-specific additional functions); functional scope according to selected license

HÄFELE

HAF-DIF-2022

Häfele America Co. | 3901 Cheyenne Drive | Archdale, NC 27263

Phone: 800 423 3531 | **Fax:** 800 325 6197 | **Showrooms:** New York, Archdale, Los Angeles

hafele.com

© & TM Häfele GmbH & Co KG and/or Häfele America Co. Other trademarks referenced are owned by their respective owners. All rights reserved. Materials, designs and design elements shown herein may be the subject of US and International copyright and other forms of legal protection.