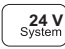


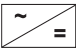


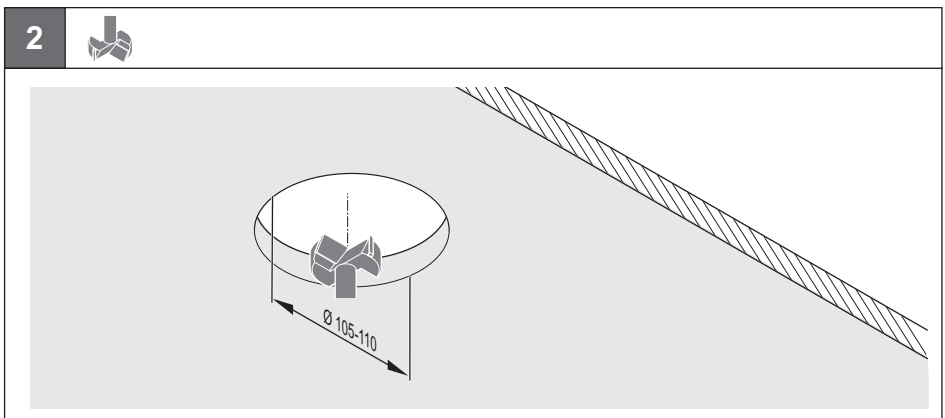
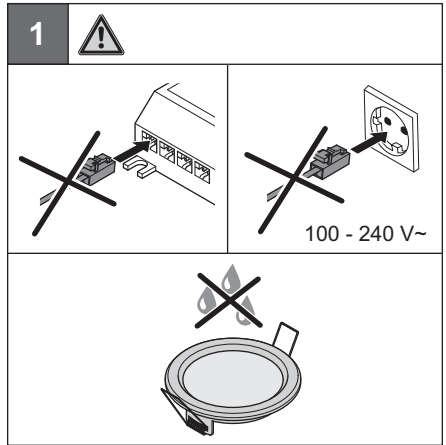
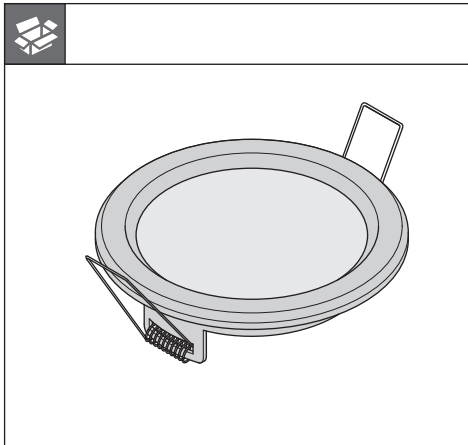


LED 3002

833.75.020
833.75.030

	K	W	T_A			
833.75.020	5000 K	4.4 W	-20 °C – +35 °C	Ø 127 x 18	≥ Ø 137 x 28	833.77.900 833.77.901
833.75.030	3200 K		-4 °F – +95 °F			

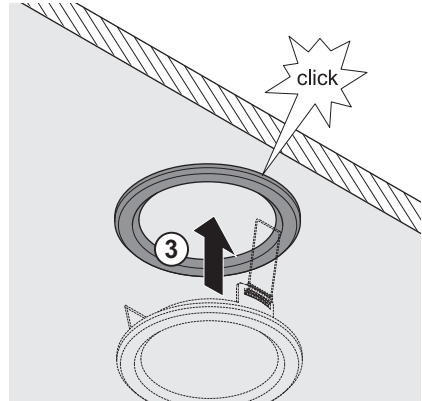
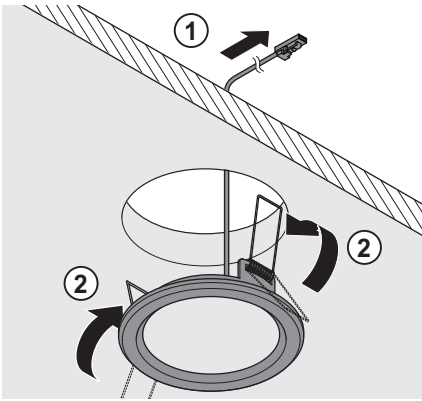
Maße in mm – Dimensions in mm – Medidas en mm



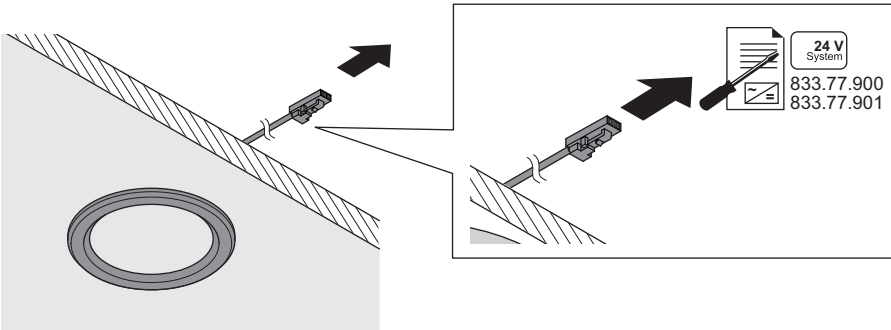
HDE 14/12/2010

732.28.232

3



4



Maße in mm – Dimensions in mm – Medidas en mm

HDE 14/12/2010

732.28.232