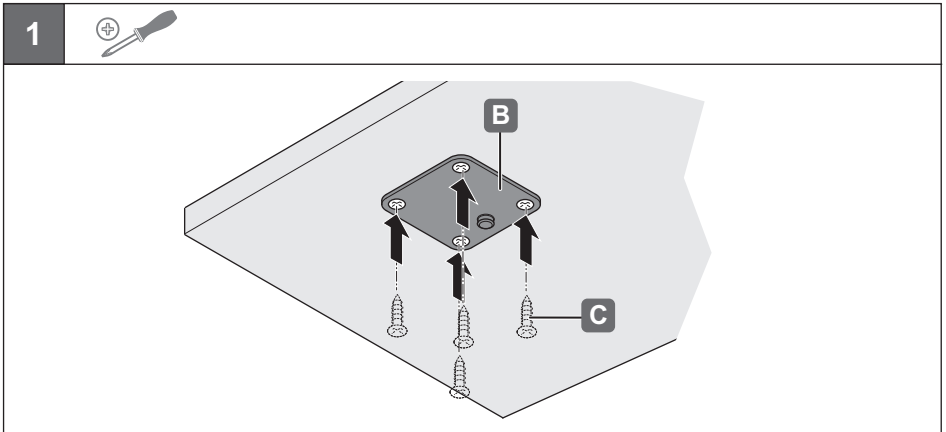
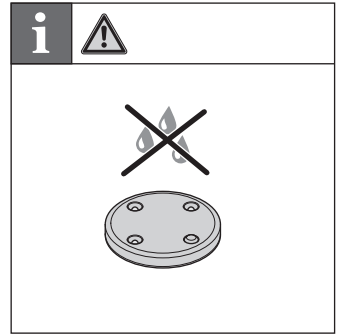
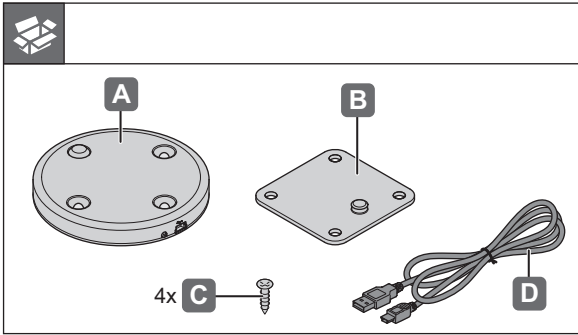




LED 9003

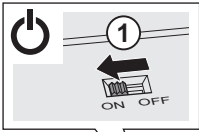
Battery System	K	W	T _A	mm	mm	
833.87.012	6500 K	0,6 W	-20 °C – +30 °C -4 °F – +86 °F	120 x 65 x 17	≥ 130 x 75 x 26	DC5V (≤ 1A)



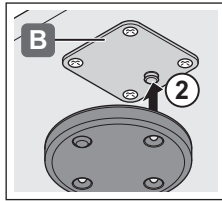
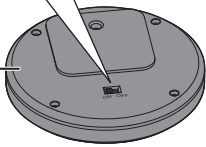
HDE 20.03.2012

732.28.290

2

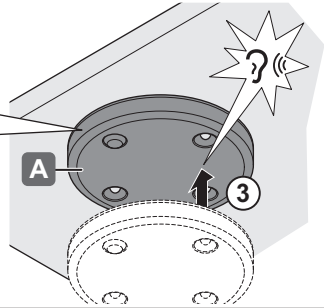


A



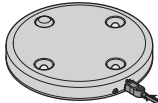
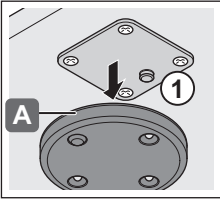
B

2

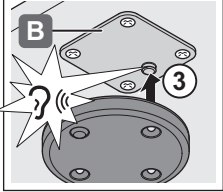
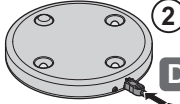


A

3



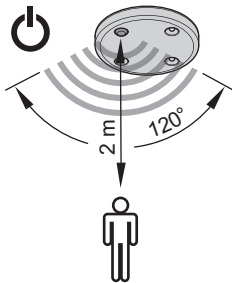
3 - 4 h



B

3

i



HDE 20.03.2012

732.28.290