

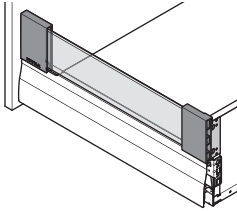


Moovit

553.60.799

553.60.299

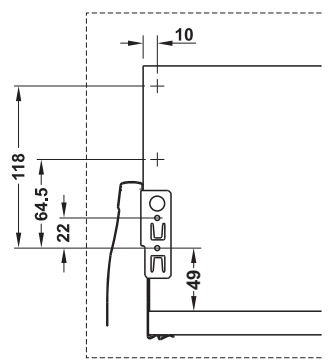
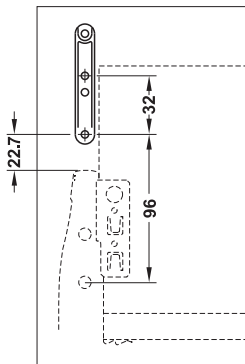
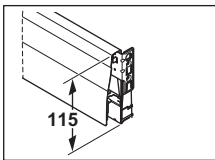
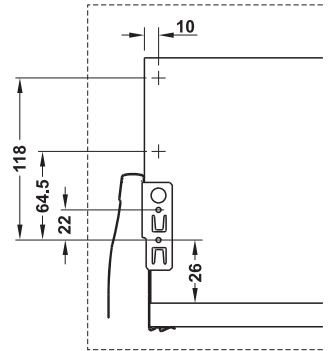
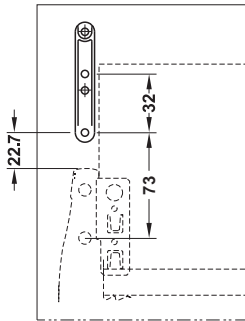
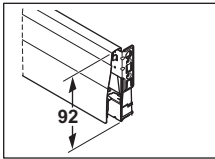
553.60.399




732.25.016

i

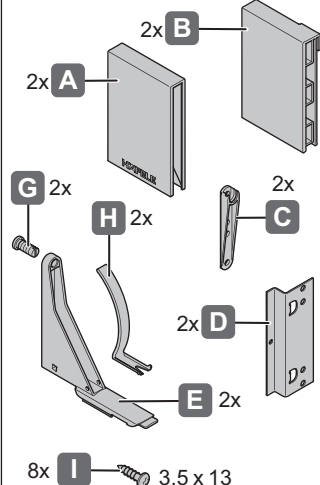
„mm“



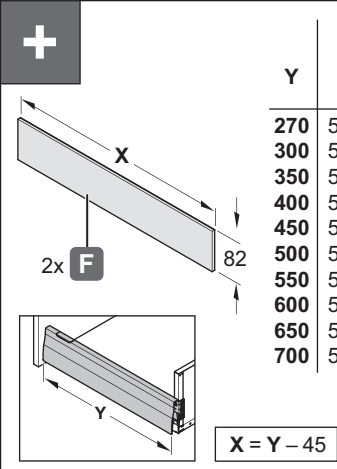
HDE 14.08.2013



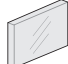
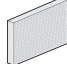
„mm“



+




X = Y - 45

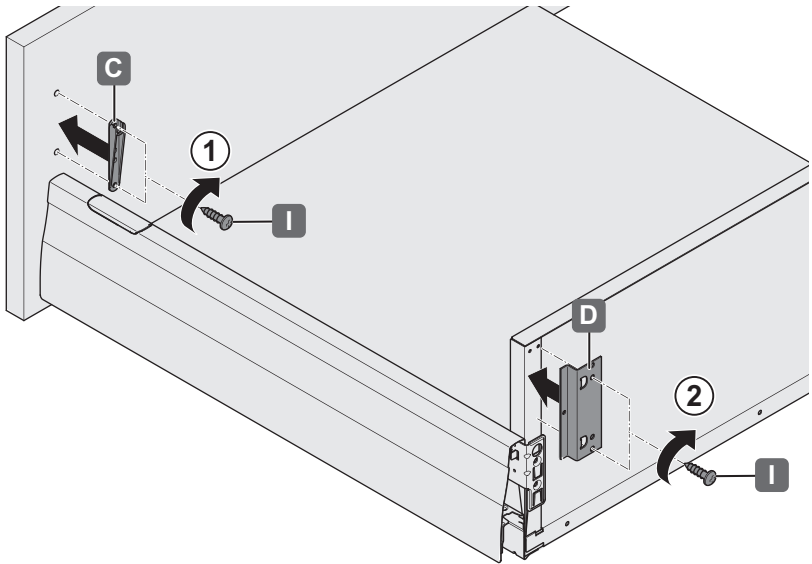
Y		
270	553.60.420	553.60.120
300	553.60.421	553.60.121
350	553.60.422	553.60.122
400	553.60.423	553.60.123
450	553.60.424	553.60.124
500	553.60.425	553.60.125
550	553.60.426	553.60.126
600	553.60.427	553.60.127
650	553.60.428	553.60.128
700	553.60.429	553.60.129

732.25.016

1

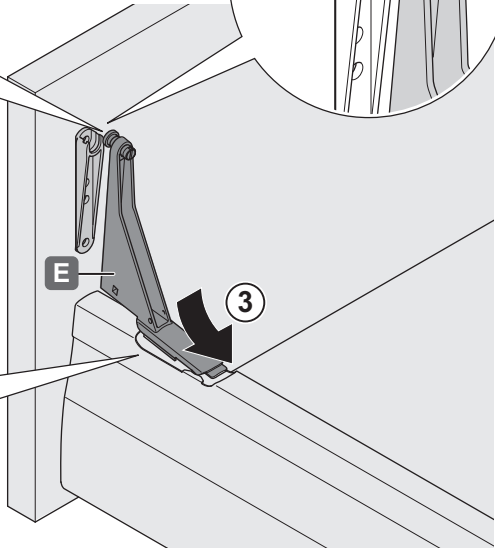
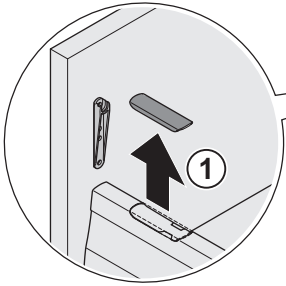
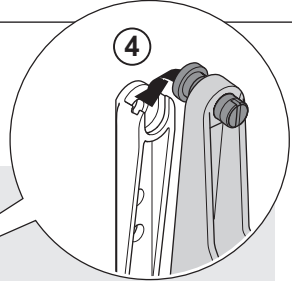
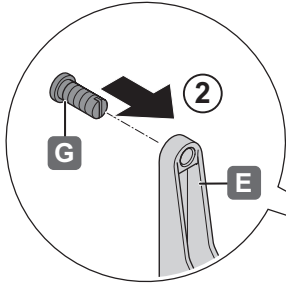


PZ 2

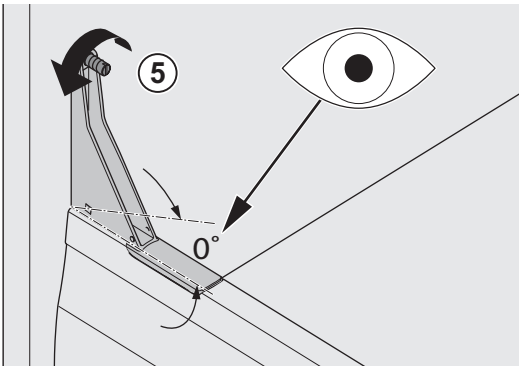


HDE 14.08.2013

2



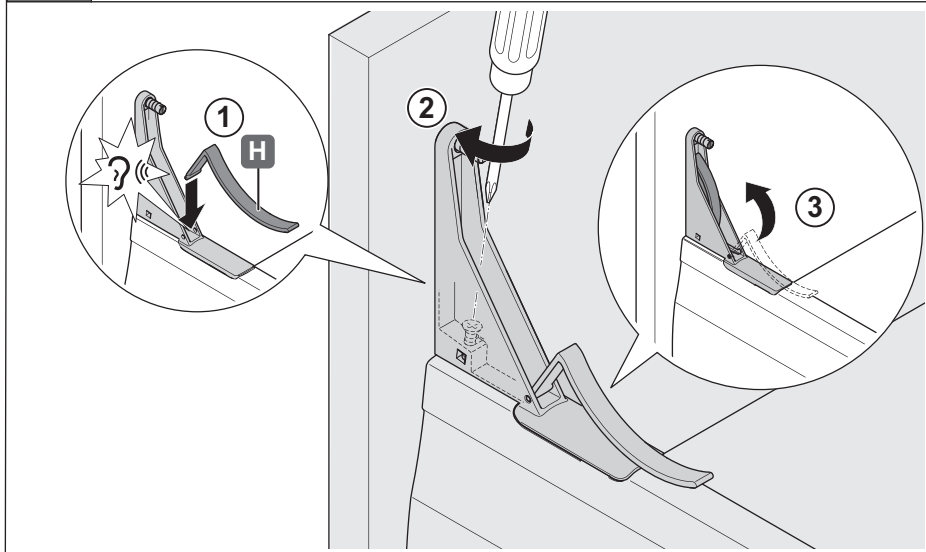
i



732.25.016

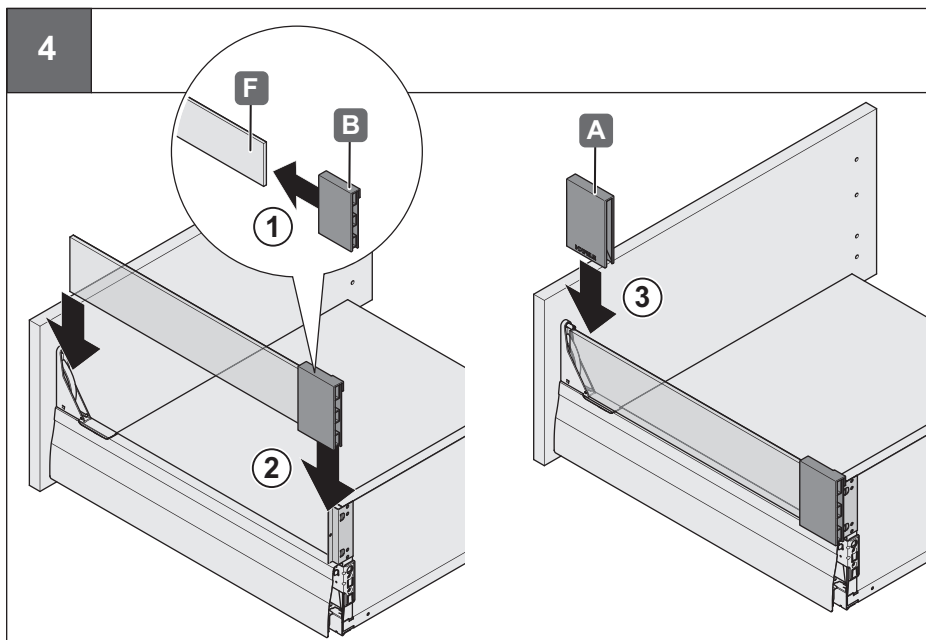
HDE 14.08.2013

3



732.25.016

4



HDE 14.08.2013