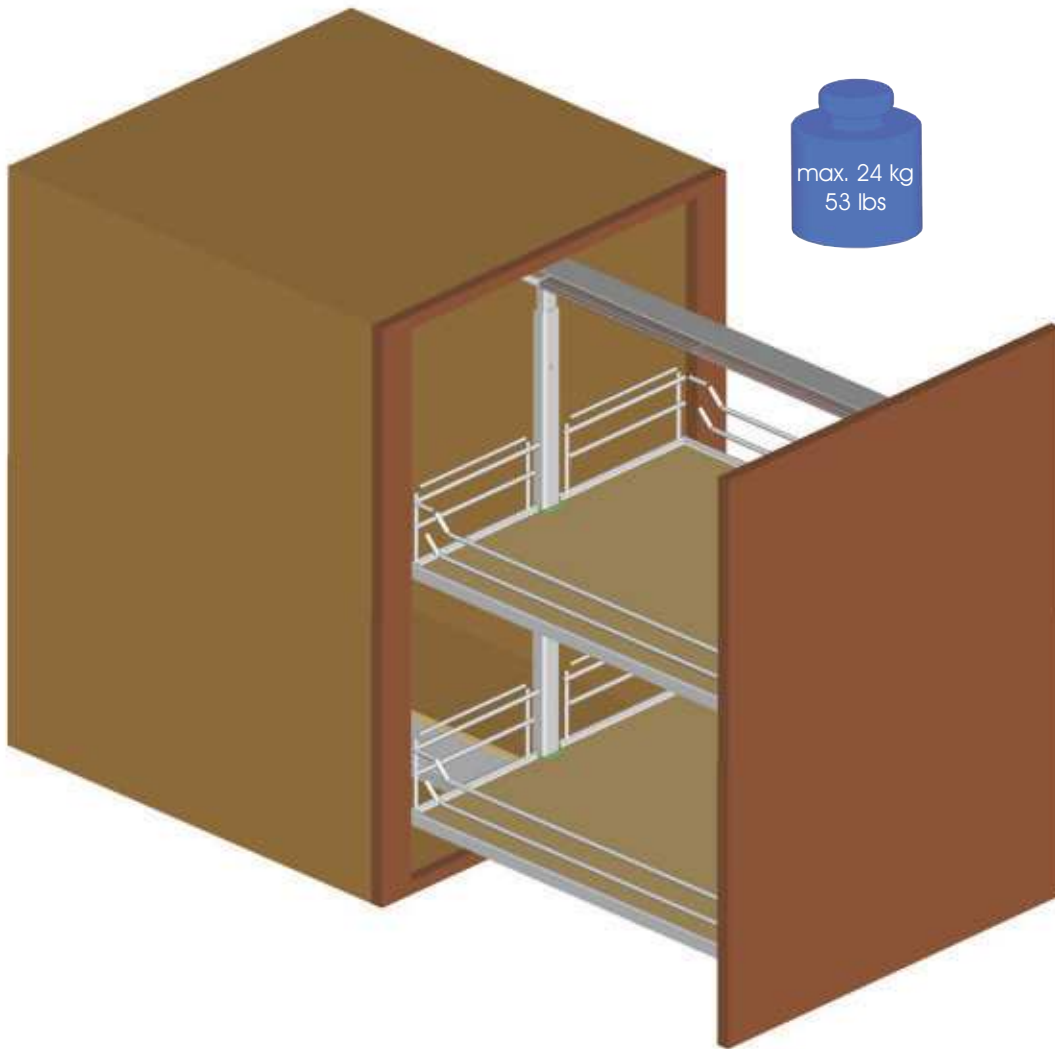
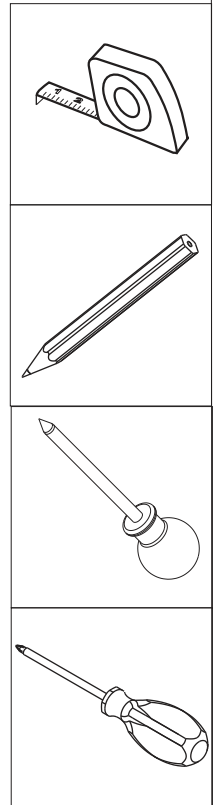


Mounting Instruction Base Pull Out



max. 24 kg
53 lbs

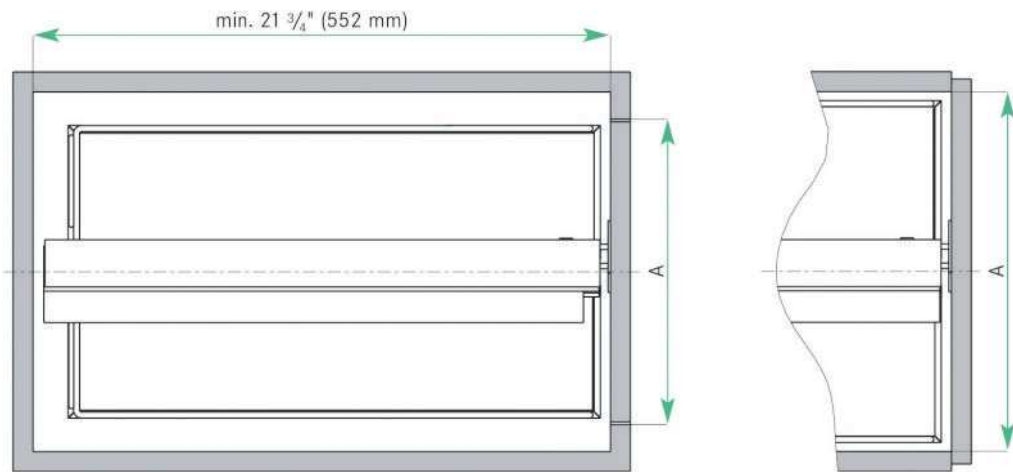


fasteners are
not included

use
14x

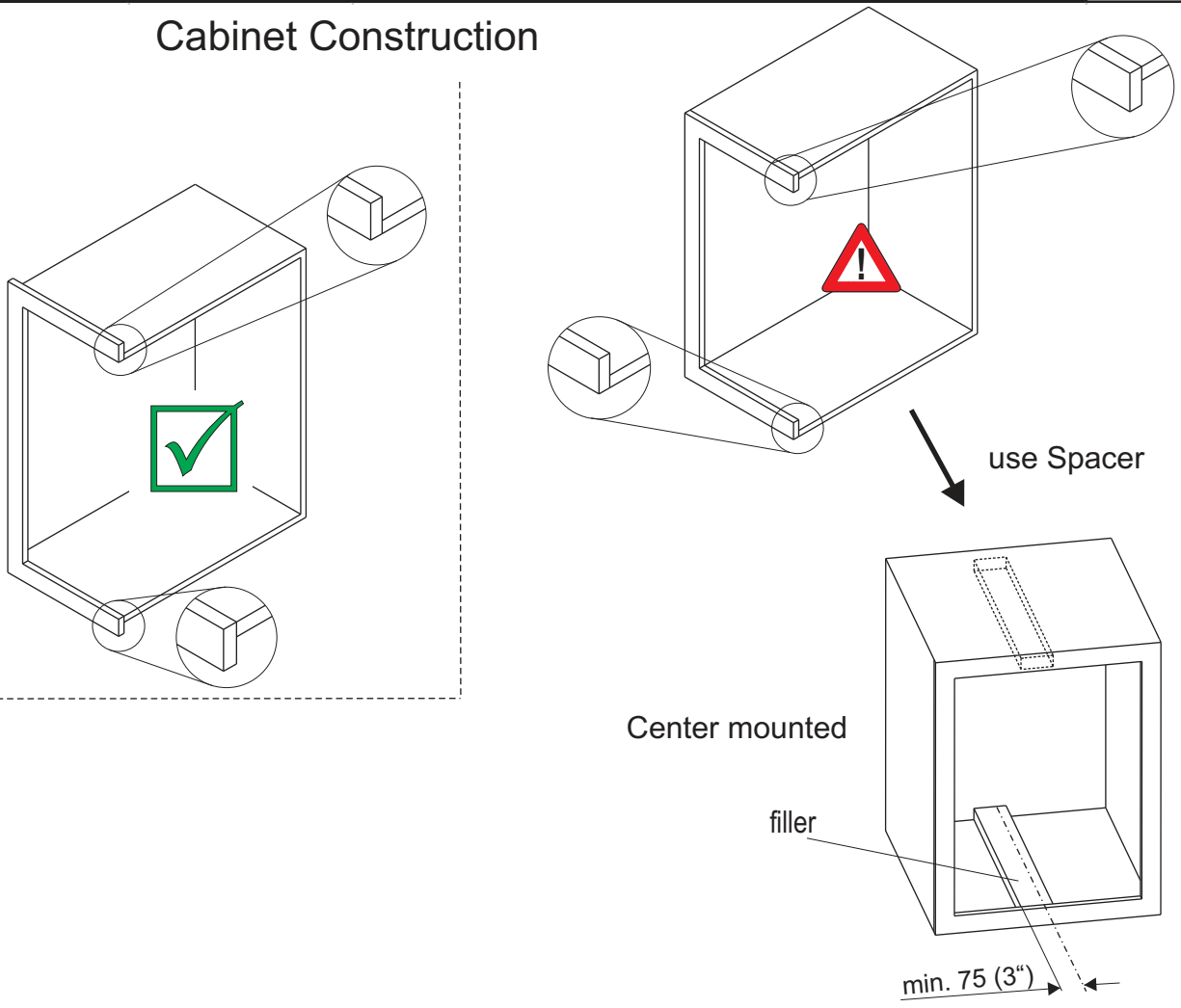


pan head



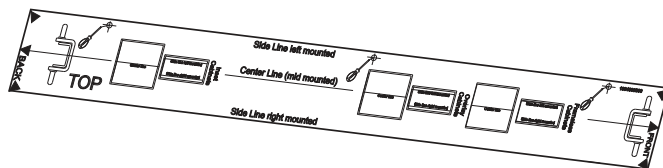
	A _{min}	Tray Measurements - packing unit 2 trays	Art.-No.
Center mounted	4 1/2" (114 mm)	4" (102 mm) W x 20 3/8" (518 mm) D x 4 3/16" (106 mm) H	250097.1910
	5 1/2" (140 mm)	5" (127 mm) W x 20 3/8" (518 mm) D x 4 3/16" (106 mm) H	250098.1910
	7 1/2" (190 mm)	7" (178 mm) W x 20 3/8" (518 mm) D x 4 3/16" (106 mm) H	250099.1910
	8 1/2" (216 mm)	8" (203 mm) W x 20 3/8" (518 mm) D x 4 3/16" (106 mm) H	250003.1910
	10 1/2" (267 mm)	10" (254 mm) W x 20 3/8" (518 mm) D x 4 3/16" (106 mm) H	250013.1910
	11 1/2" (292 mm)	11" (279 mm) W x 20 3/8" (518 mm) D x 4 3/16" (106 mm) H	250004.1910
	13 1/2" (343 mm)	13" (330 mm) W x 20 3/8" (518 mm) D x 4 3/16" (106 mm) H	250014.1910
	14 1/2" (368 mm)	14" (356 mm) W x 20 3/8" (518 mm) D x 4 3/16" (106 mm) H	250005.1910
	16 1/2" (419 mm)	16" (406 mm) W x 20 3/8" (518 mm) D x 4 3/16" (106 mm) H	250015.1910
	17 1/2" (445 mm)	17" (432 mm) W x 20 3/8" (518 mm) D x 4 3/16" (106 mm) H	250006.1910
19 1/2" (495 mm)	19" (483 mm) W x 20 3/8" (518 mm) D x 4 3/16" (106 mm) H	250016.1910	

Cabinet Construction

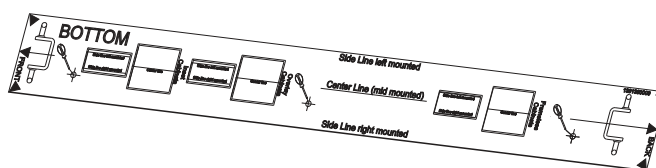
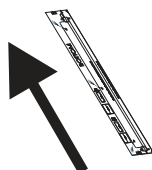
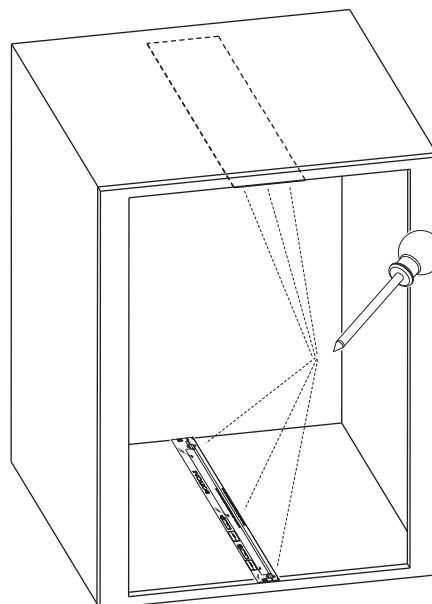
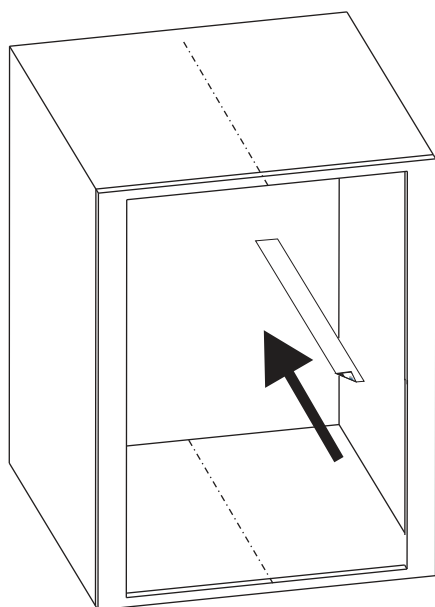


1 Drilling positions

Use mounting template

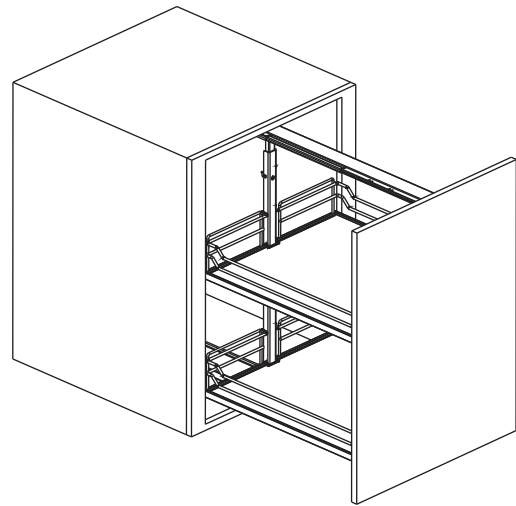


Center mounted

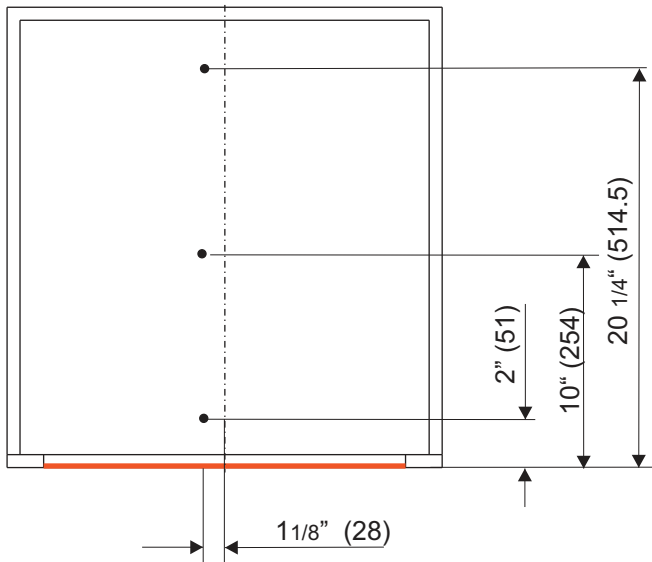


Center mounted

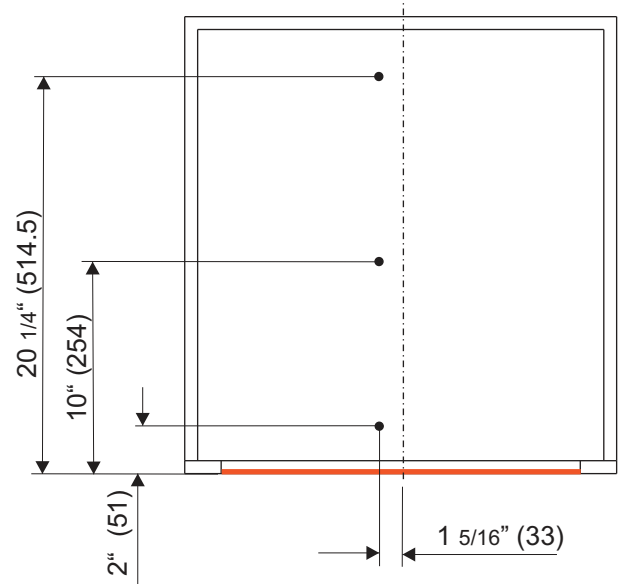
Framed Cabinet with overlay door
 Frameless Cabinet with overlay door



Bottom

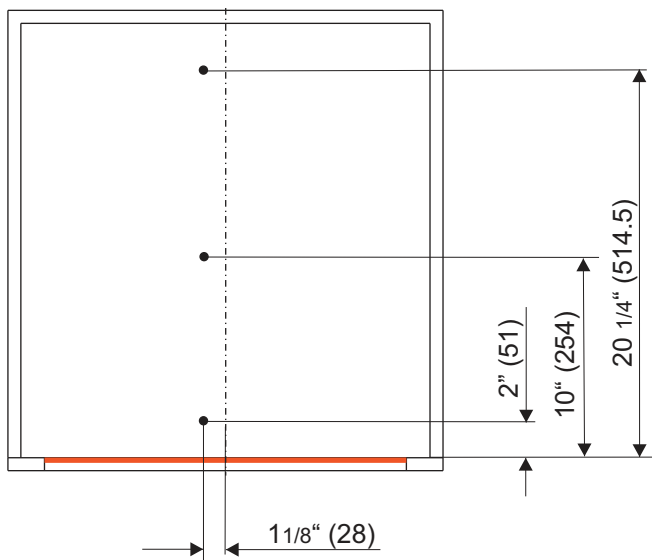


Top

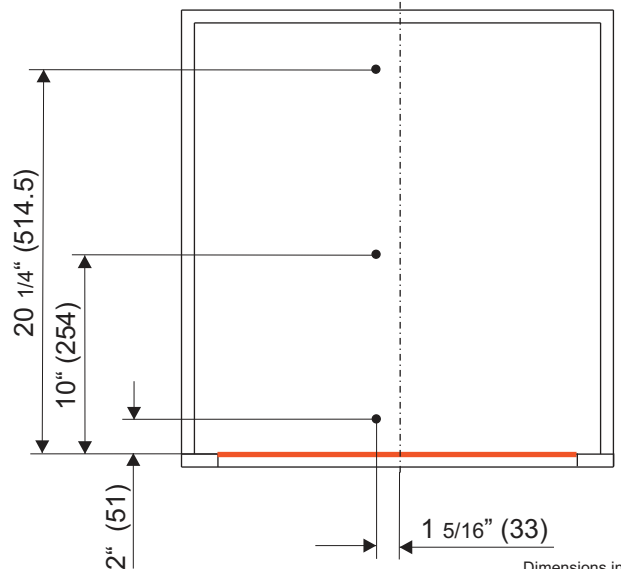


Framed Cabinet with inset door

Bottom



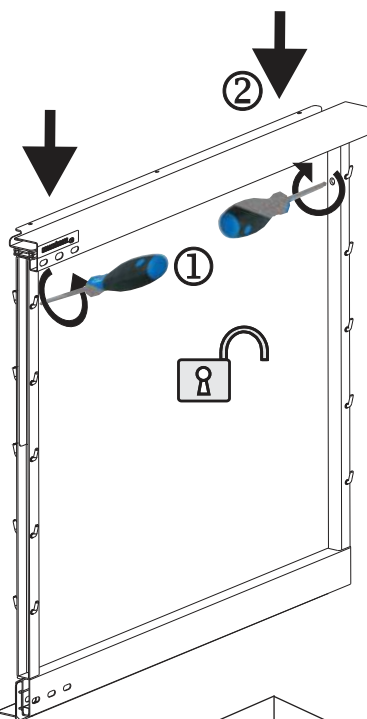
Top



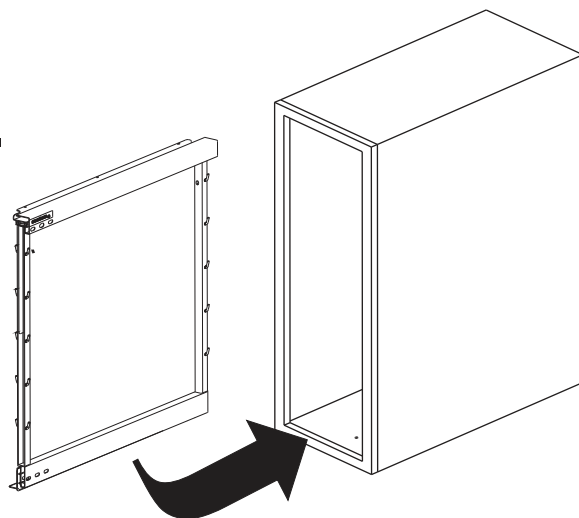
Dimensions in mm
 Inches are approximate

2

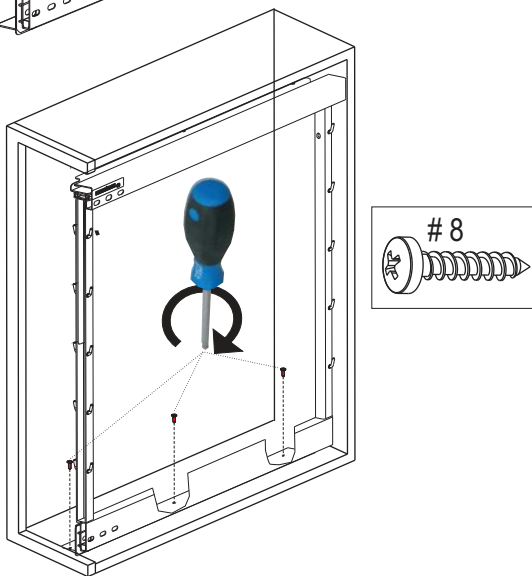
a.



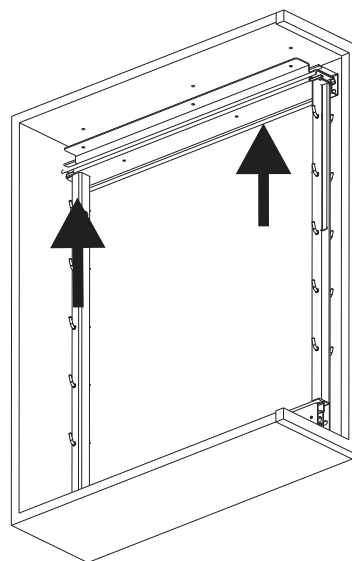
b.



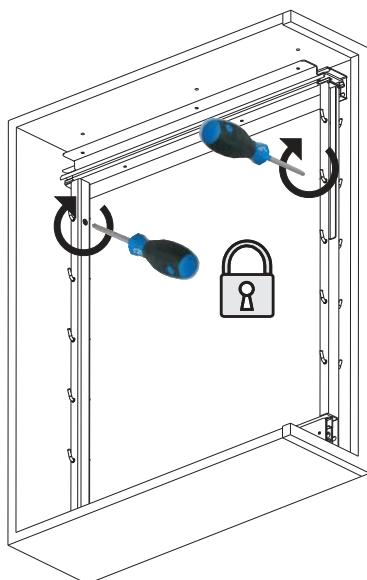
c.



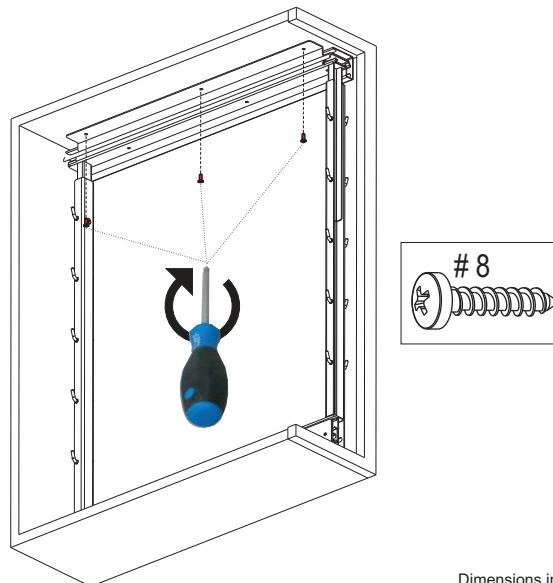
d.



e.

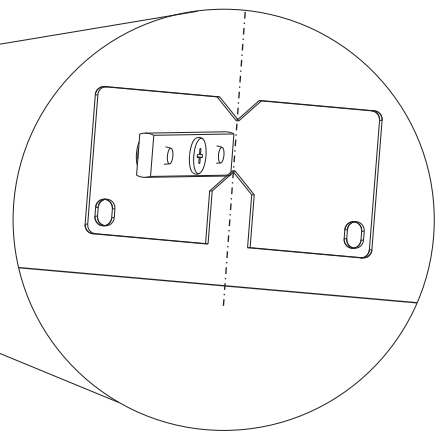
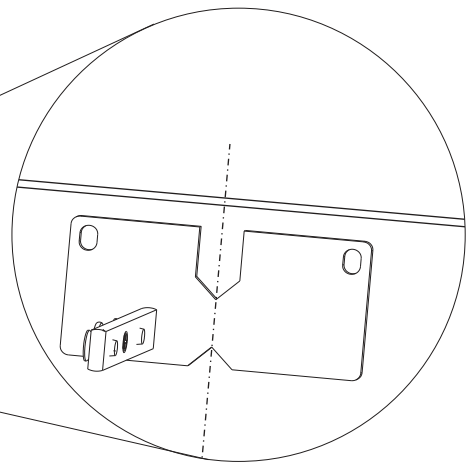
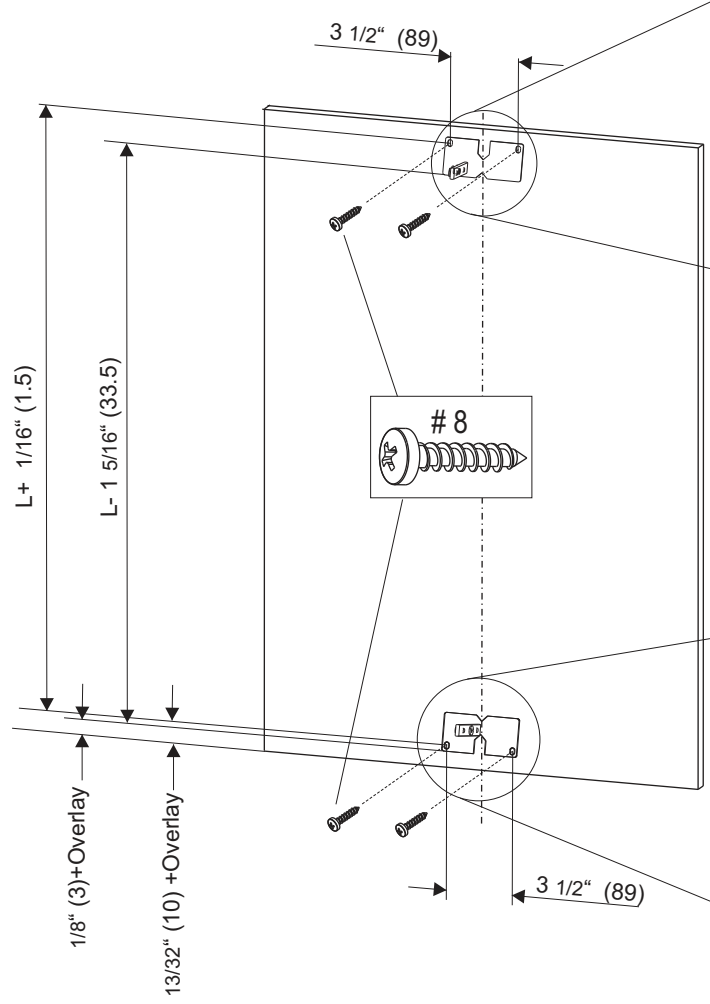
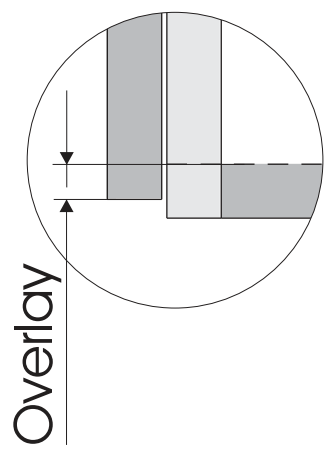
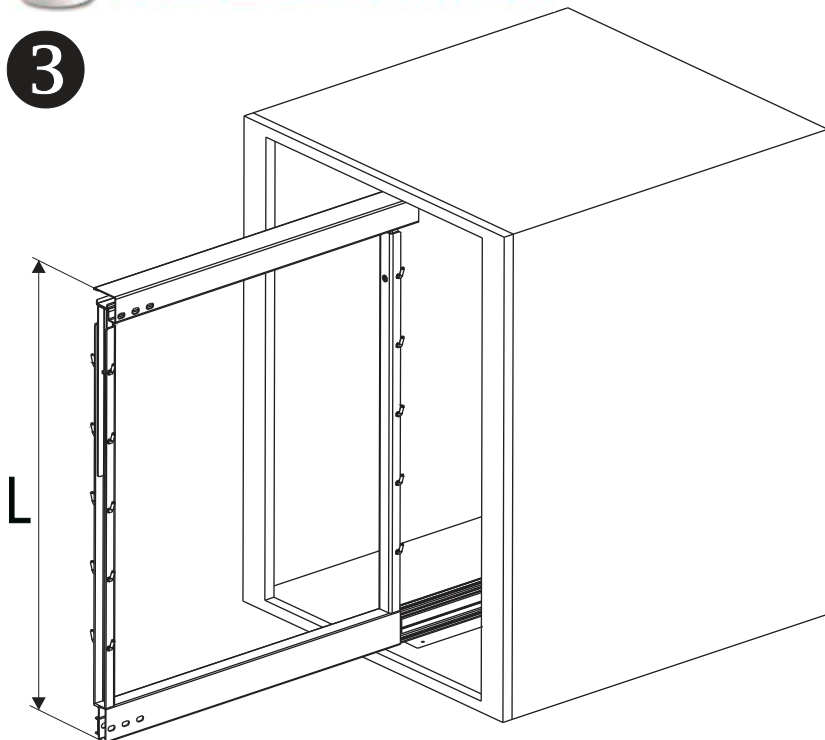


f.



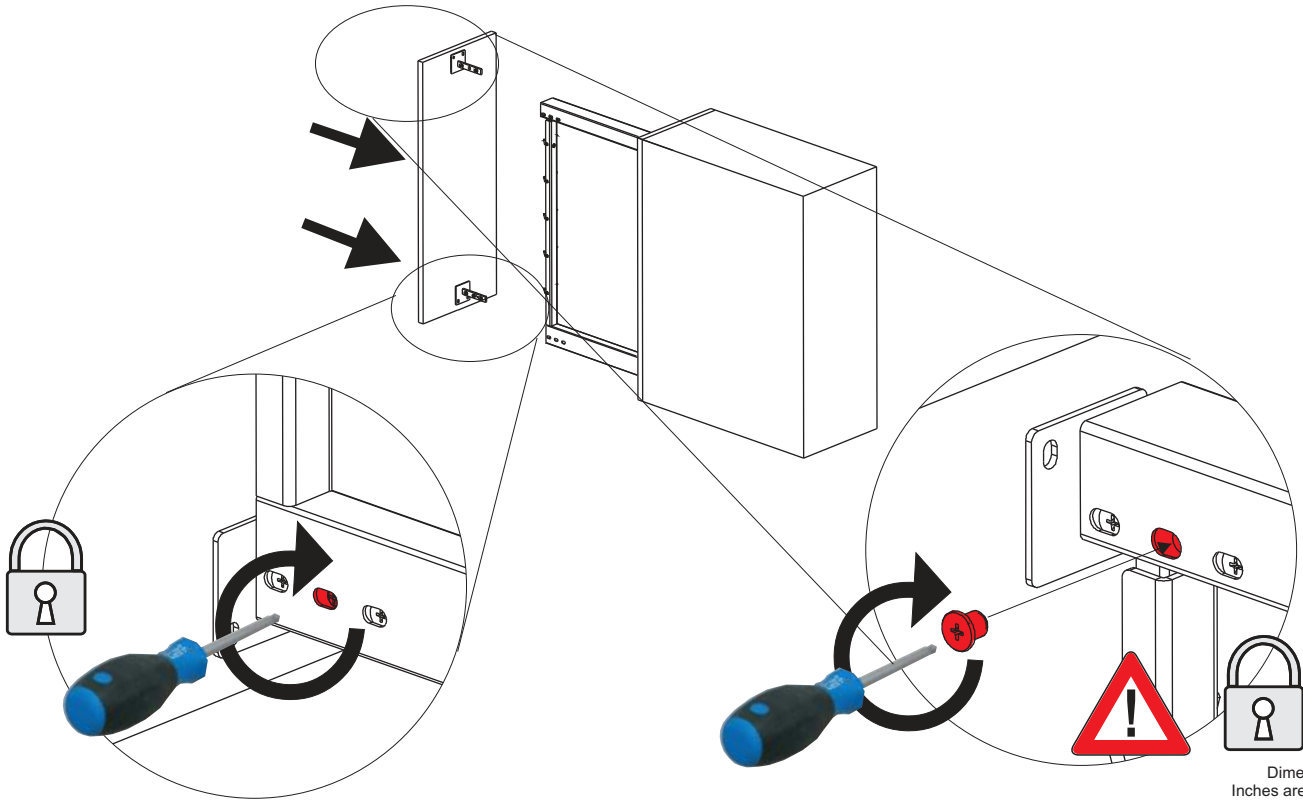
Dimensions in mm
Inches are approximate

3

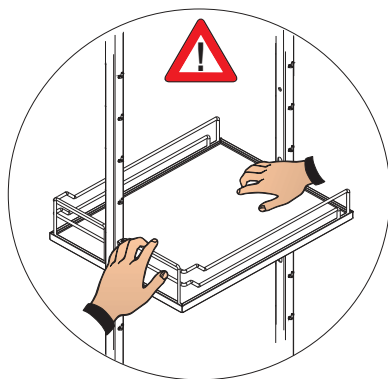
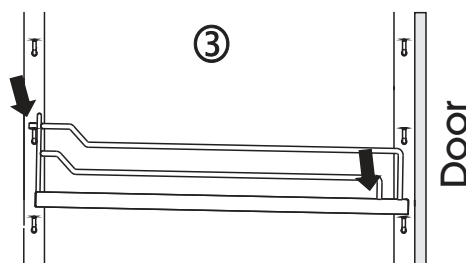
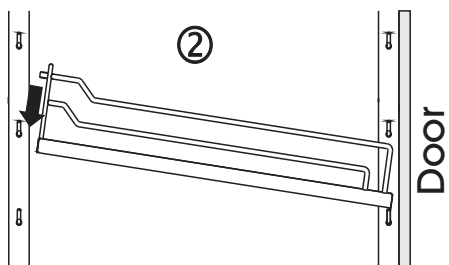
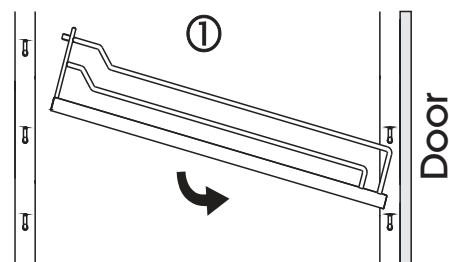
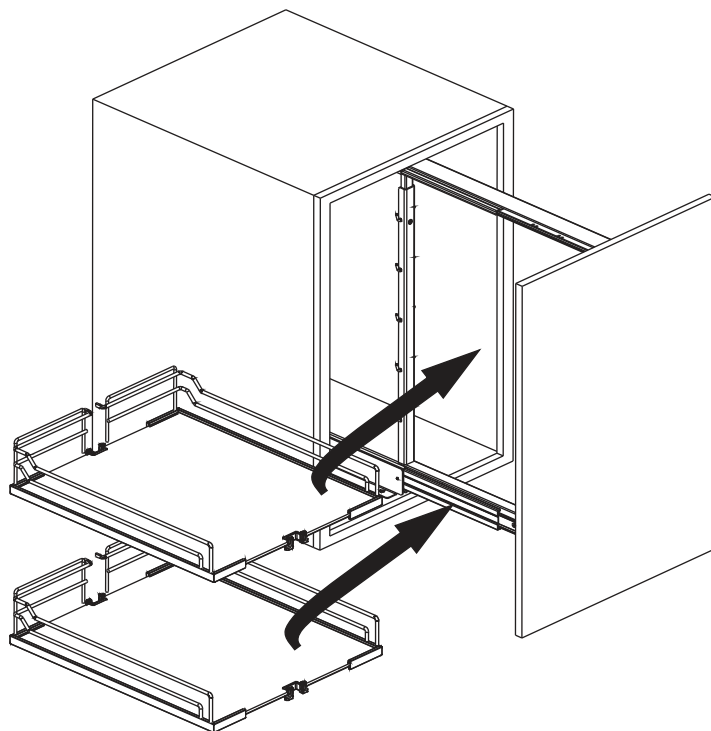


Mount
bottom bracket
first!

4



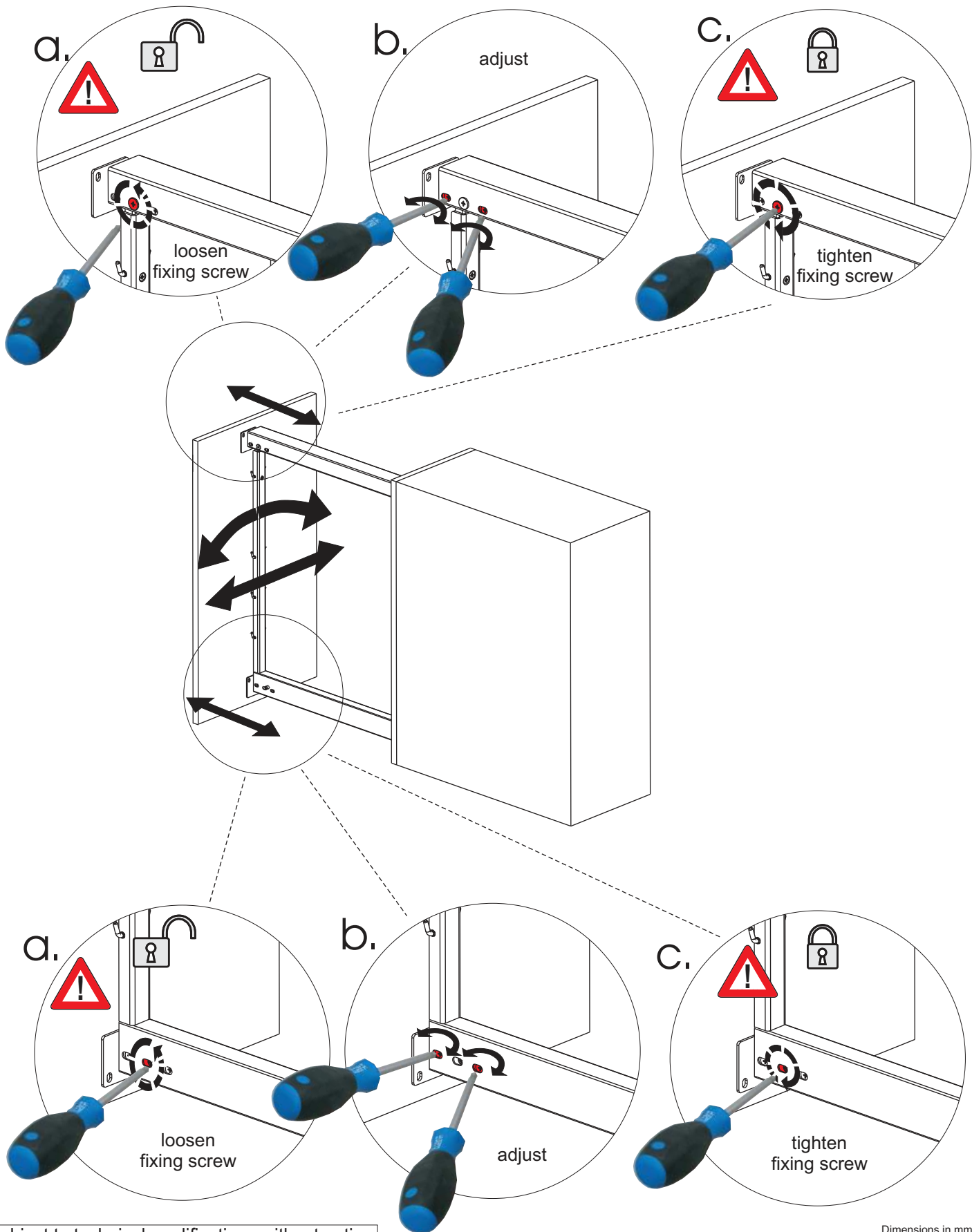
Dimensions in mm
Inches are approximate



During assembling the shelves,
please do only push
in the middle of the panel
and only on the rail in the back

Dimensions in mm
Inches are approximate

6 Adjustment of door



Subject to technical modifications without notice.

Dimensions in mm
Inches are approximate