

Always read the instructions completely and carefully before beginning assembly.  
Remove and check contents for damage and / or missing parts.

# Door Mount Spice Rack

543.39.100	3-1/8"D x 9-1/2"W x 26"H
543.39.101	3-1/8"D x 12-1/2"W x 26"H
543.39.102	3-1/8"D x 15-1/2"W x 26"H

## Contents of Box:

- 1 - Door Mount Spice Rack
- 4 - #6 x 3/4" Phillips Head Screws

## You will need:

- Safety Glasses
- Tape Measure
- Screw Driver
- Drill & 1/8" drill bit

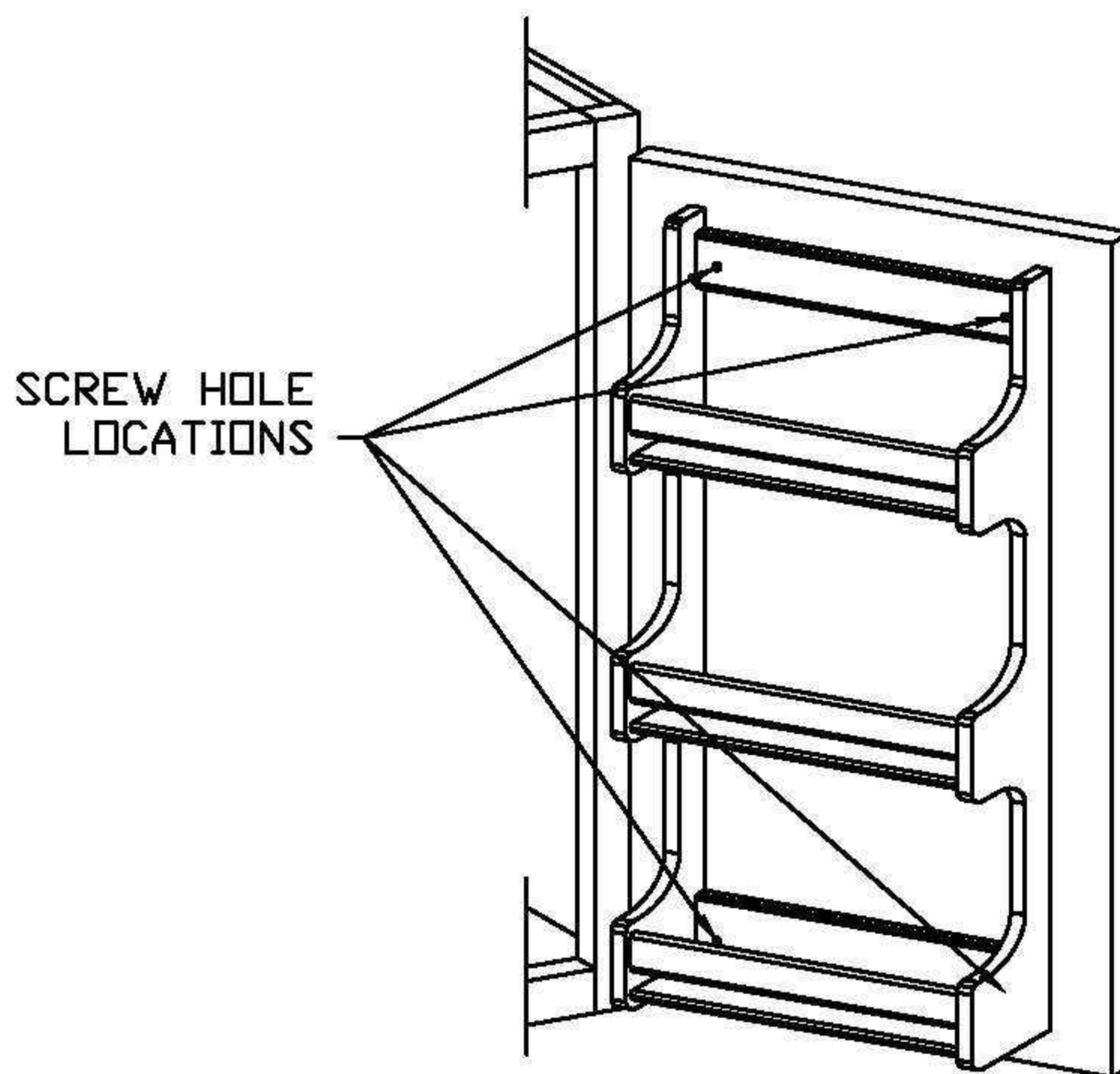


Fig. 1

## Installation Instructions

- Step 1** Locate the Spice Rack on the back side of the cabinet door. Make sure to provide the needed clearance for opening and closing the cabinet door.
- Step 2** Mark the hole locations for the screws and then pre drill the screw holes with a 1/8" diameter drill bit. **(Make sure you do not drill through the cabinet door (recommend depth is 1/4").**
- Step 3** Fasten Spice Rack to the back of cabinet door with screws provided. **(Note: The screws provided are designed for mounting to a surface no thinner than 1/2".)**