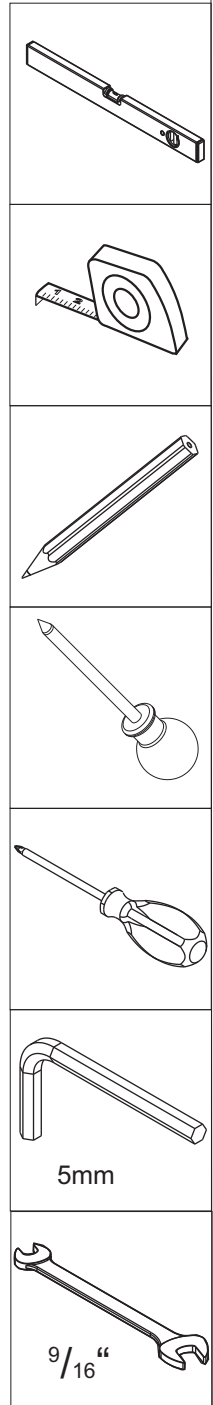
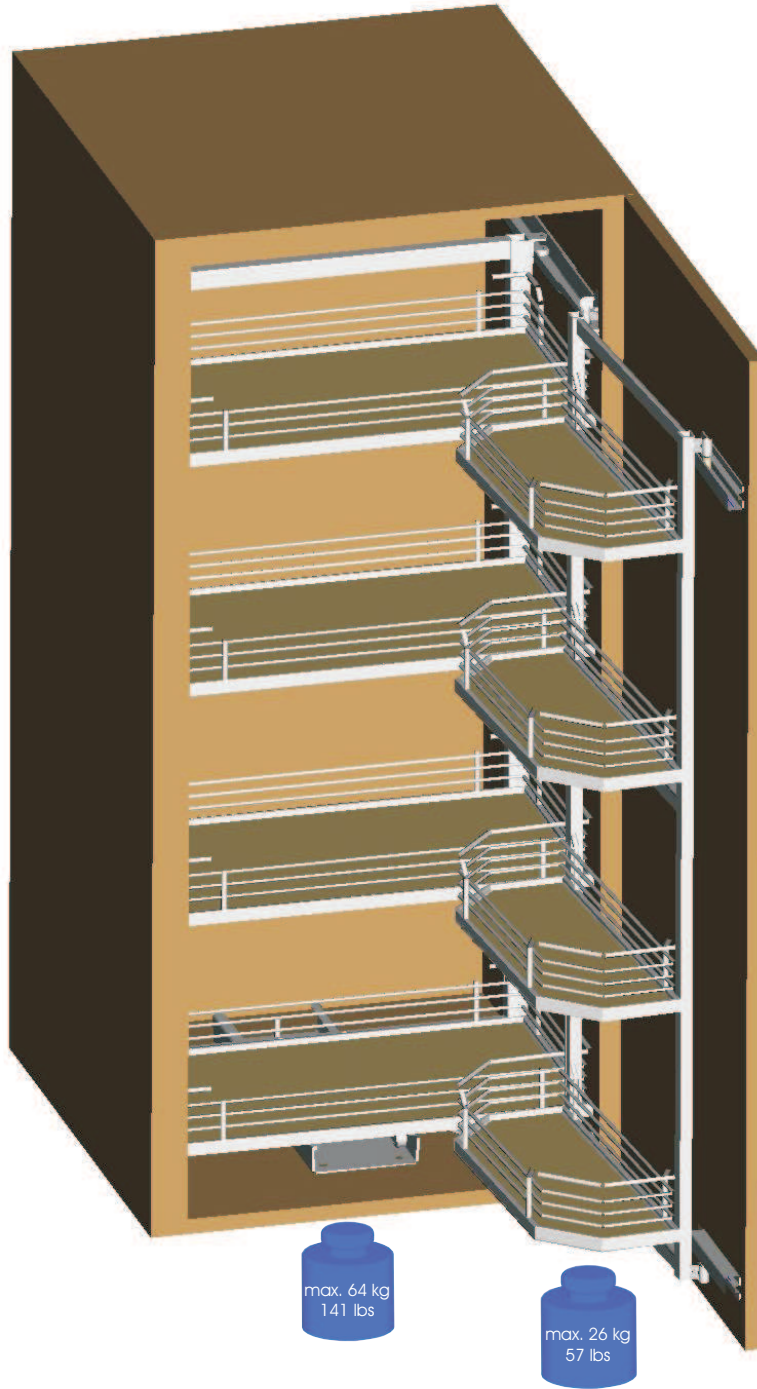

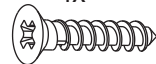


# Mounting Instruction

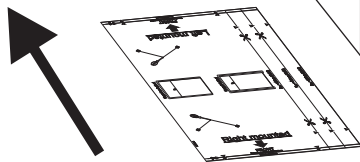
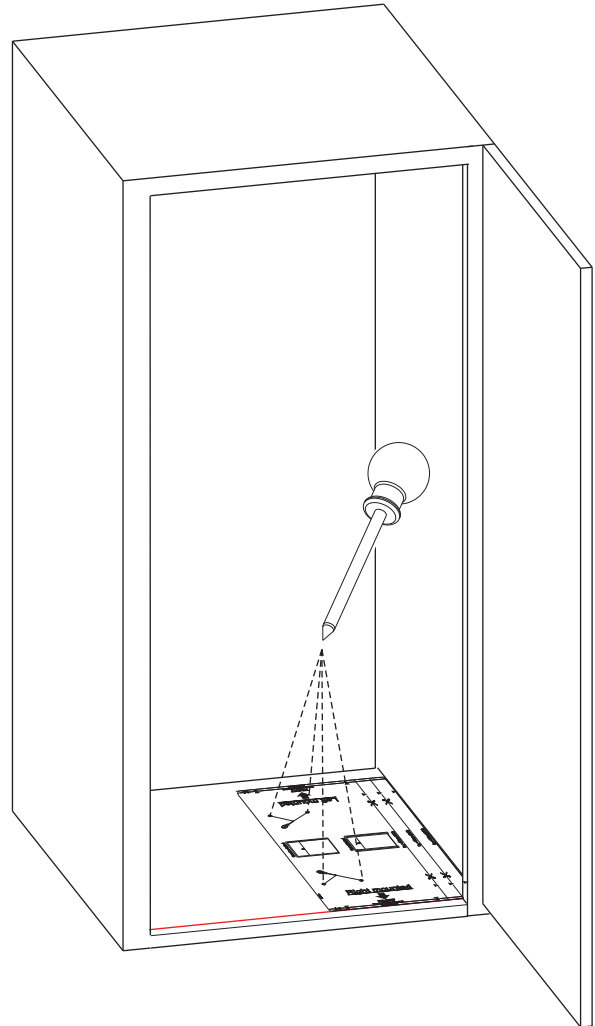
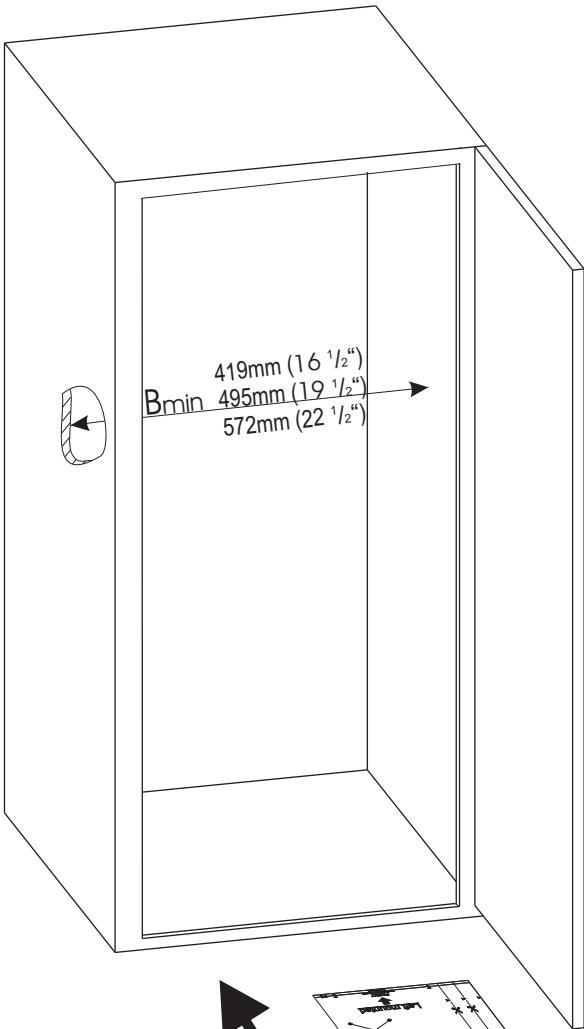
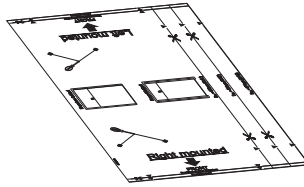
## Tandem swivel pull out



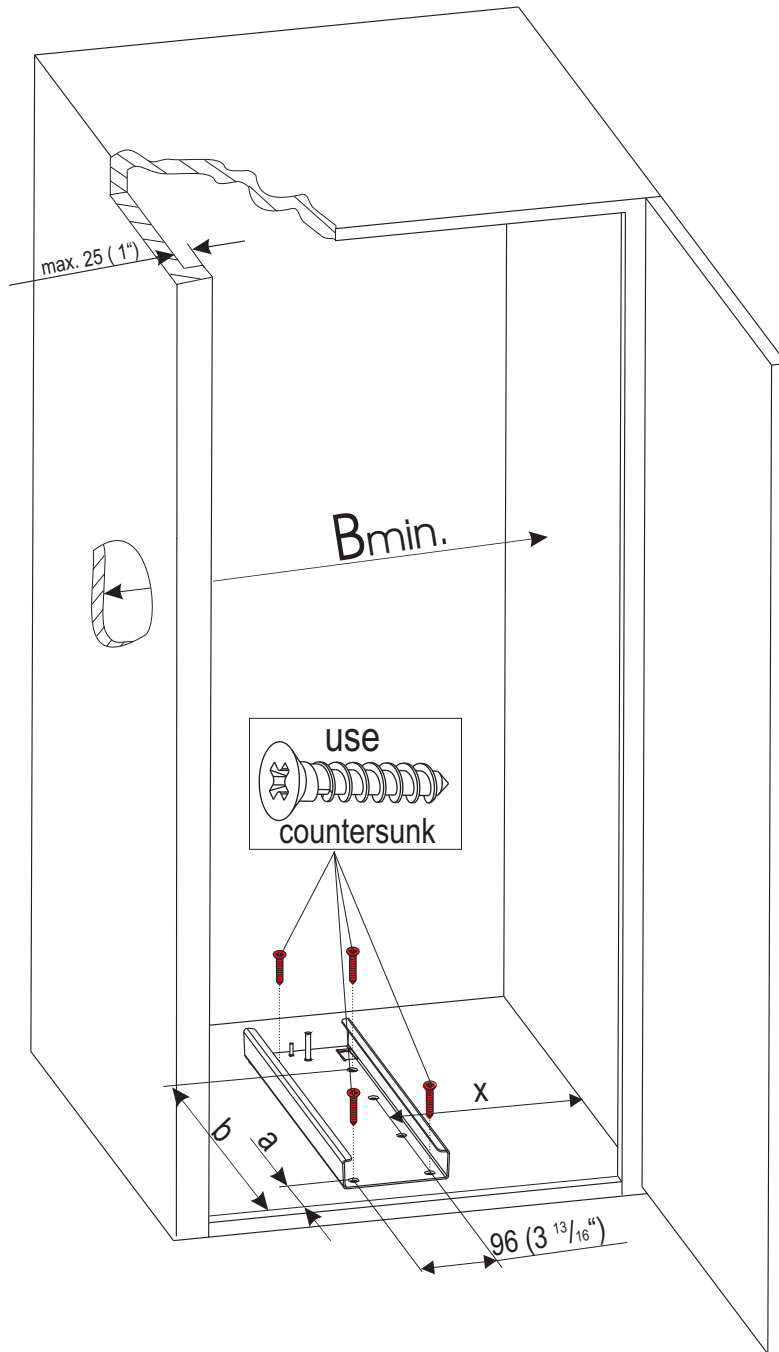
<p>use 14x</p>  <p>pan head</p>	<p>use 4x</p>  <p>countersunk</p>
--	--

**1** Drilling positions

Use mounting template



**!** Shown for right mounted Tandem swivel pull out, for left mounted mirror image **!**



Bmin.	x
419mm (16 1/2")	172mm (6 3/4")
495mm (19 1/2")	210mm (8 1/4")
572mm (22 1/2")	248mm (9 3/4")

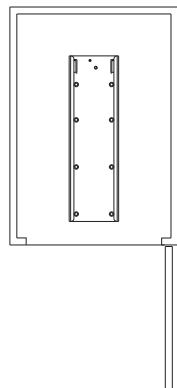
	Faceframe Cabinet with overlay door, Frameless Cabinet	Faceframe Cabinet with inset door
a	124mm (4 7/8")	134mm (5 1/4")
b	476mm (18 3/4")	486mm (19 1/8")

**!**  
 Shown for right mounted Tandem swivel pull out,  
 for left mounted mirror image  
**!**

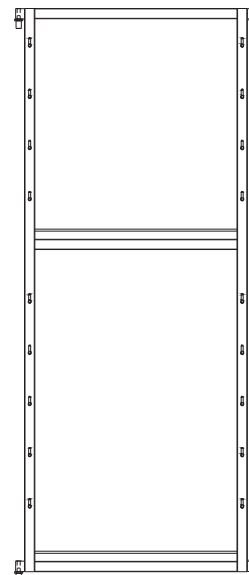
Dimensions in mm  
Inches are approximate

**2**

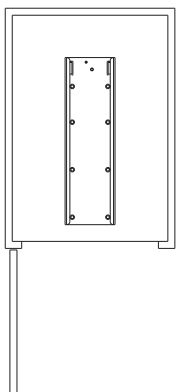
If front mounted with right hinged door



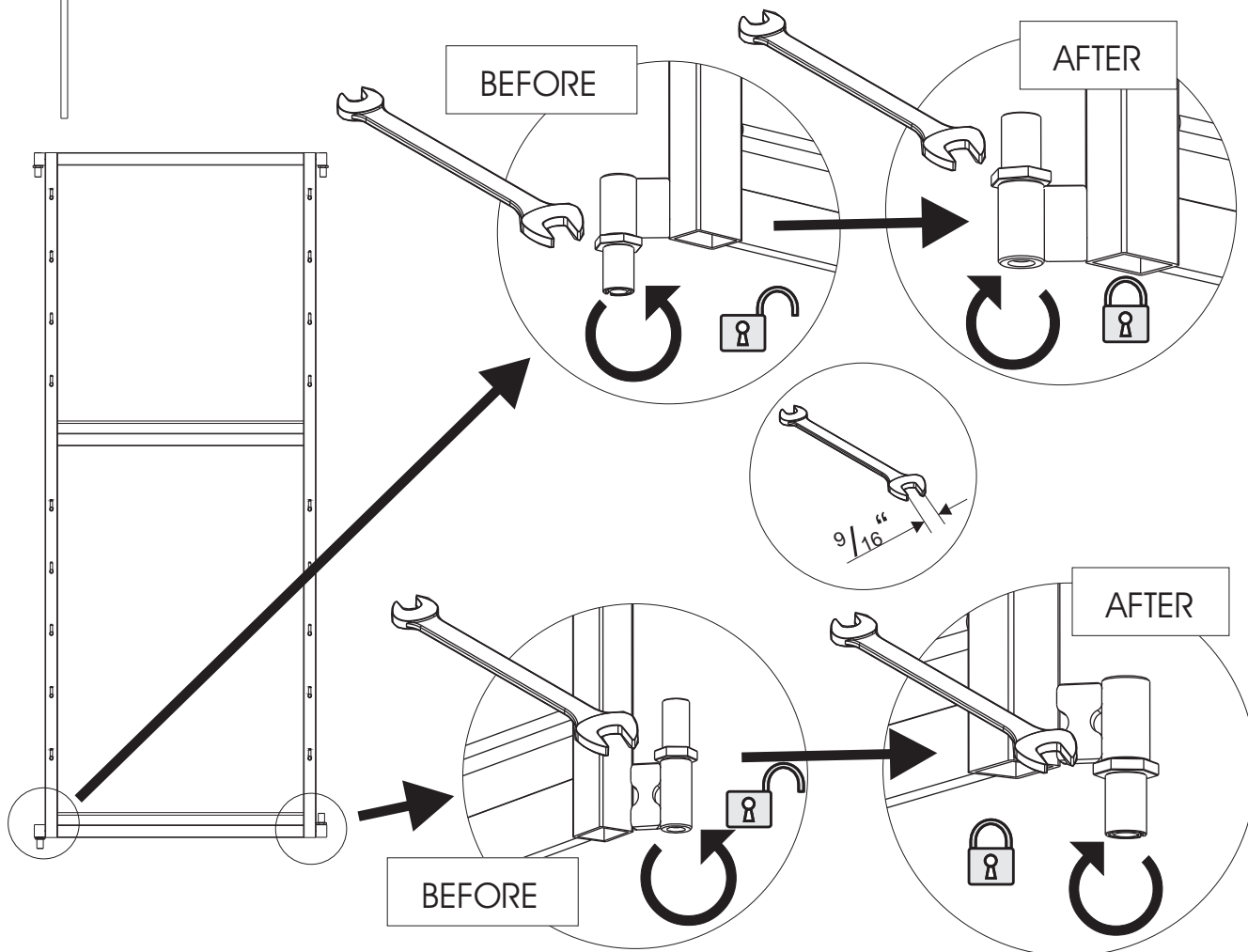
use as delivered



If front mounted with left hinged door

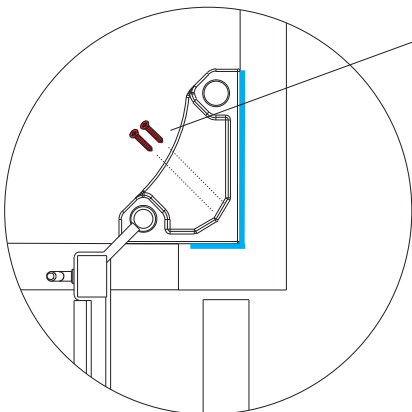
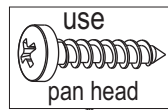
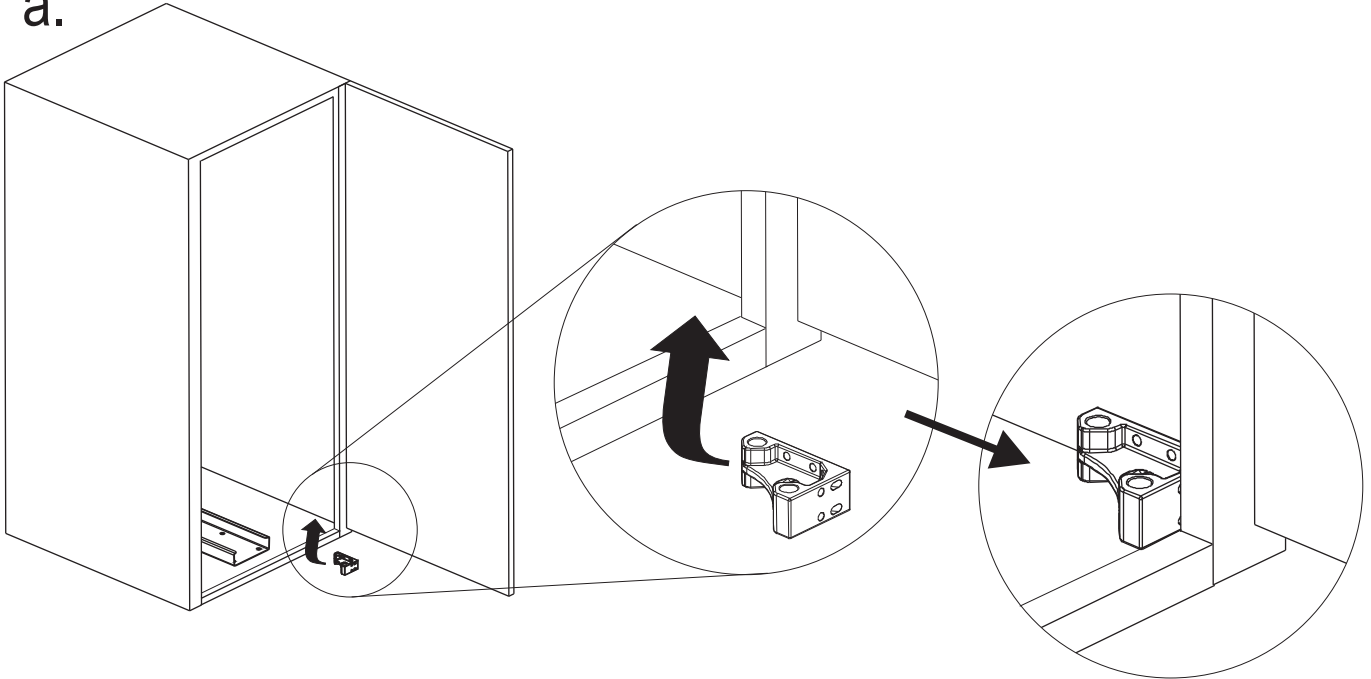


change position of **lower** pins

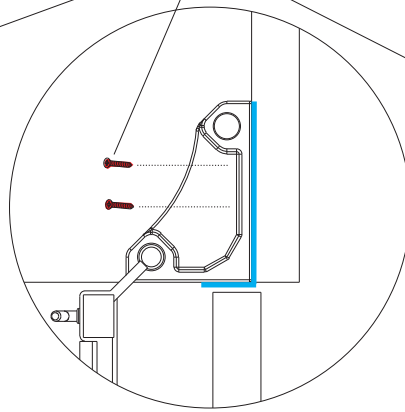


**3**

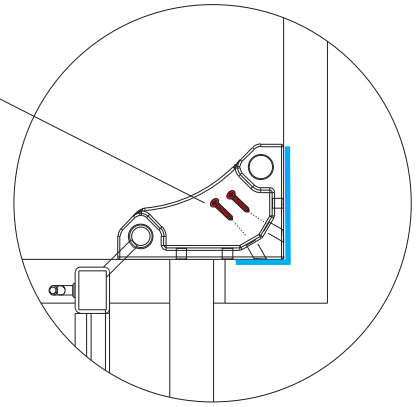
a.



Faceframe Cabinet  
with overlay door



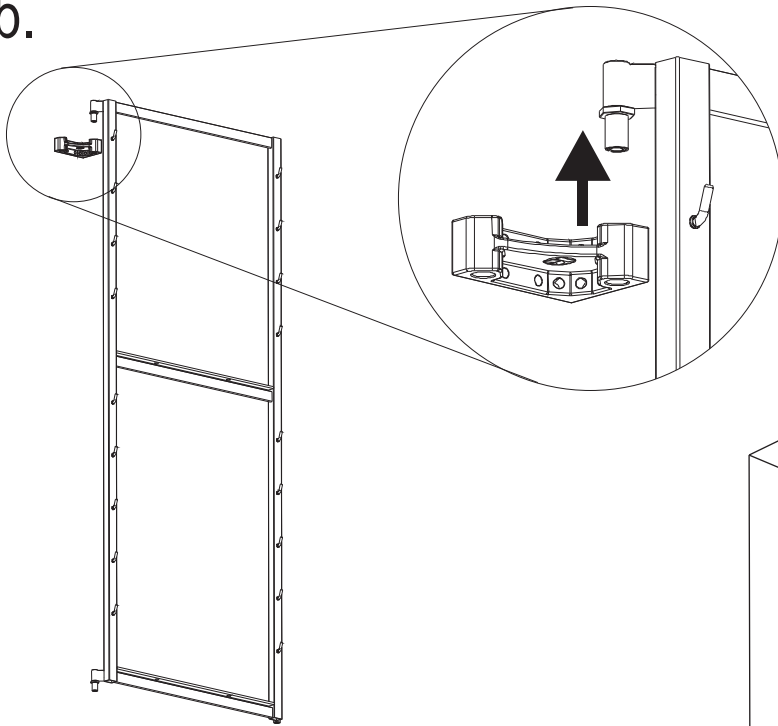
Frameless Cabinet



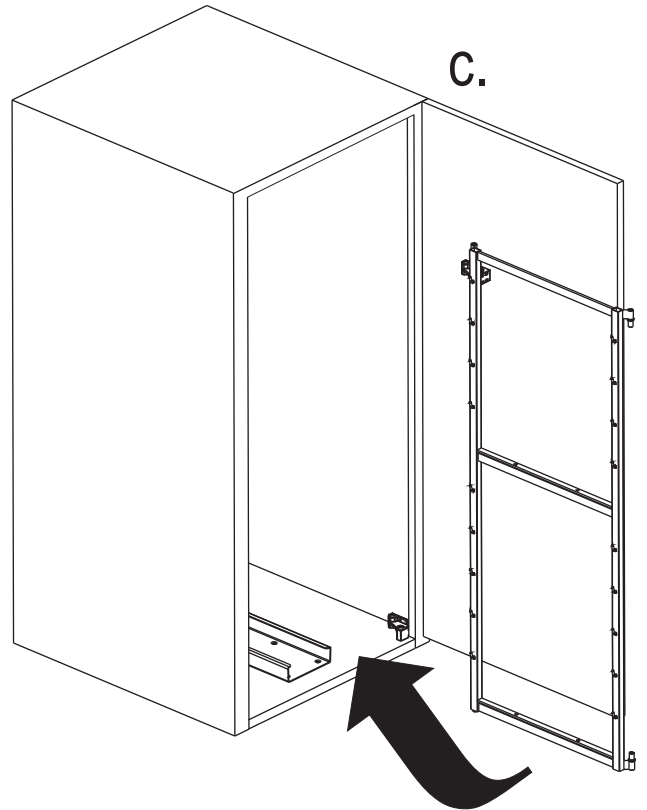
Faceframe Cabinet  
with inset door

**!** Shown for right mounted Tandem swivel pull out, for left mounted mirror image **!**

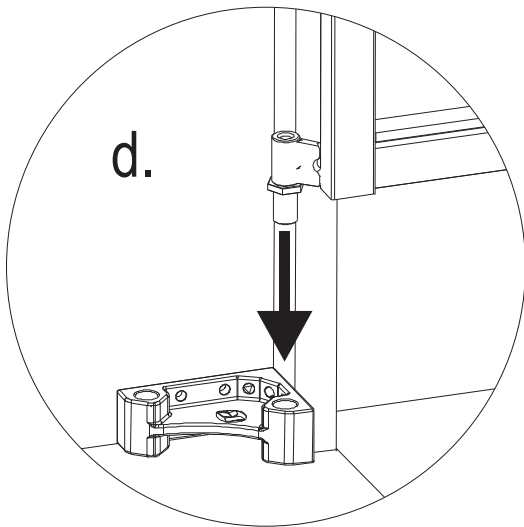
b.



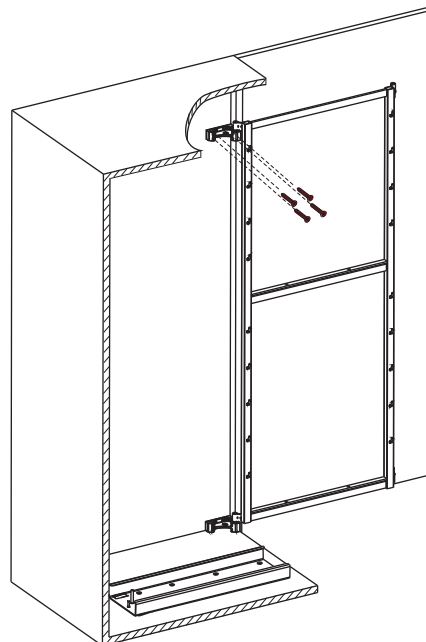
c.



d.

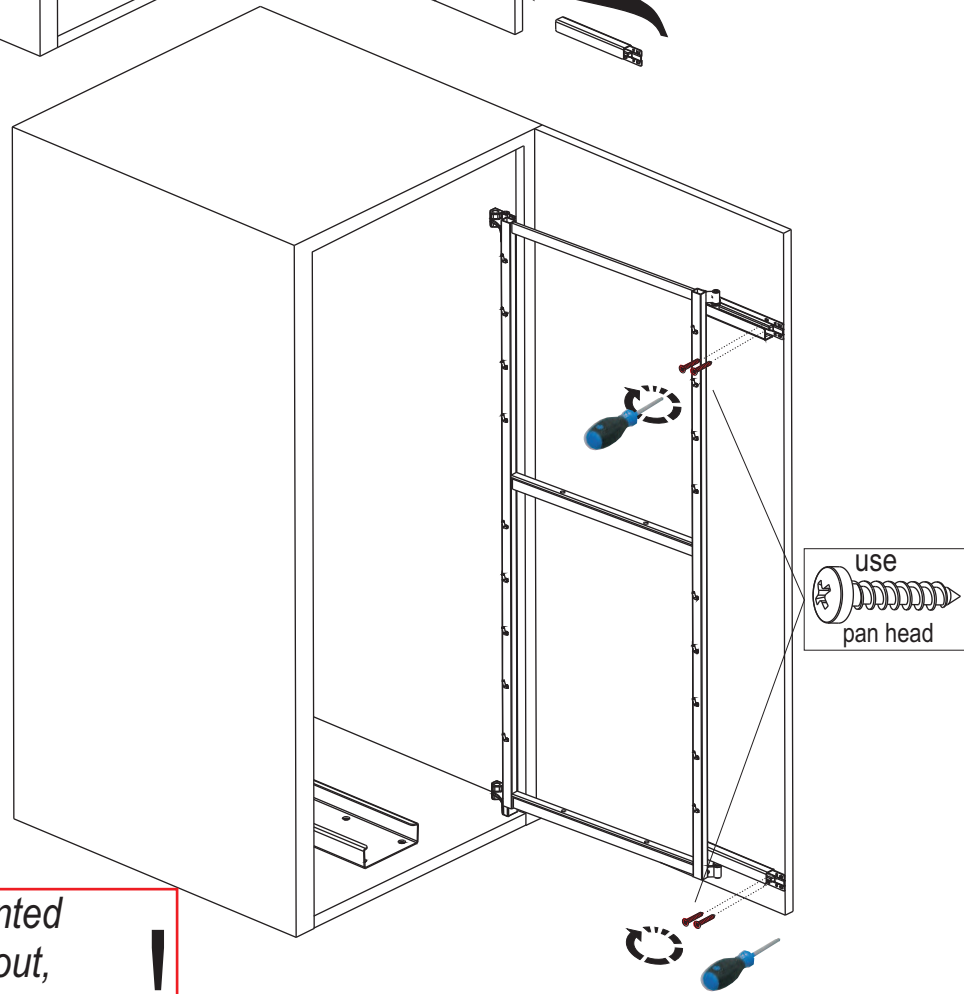
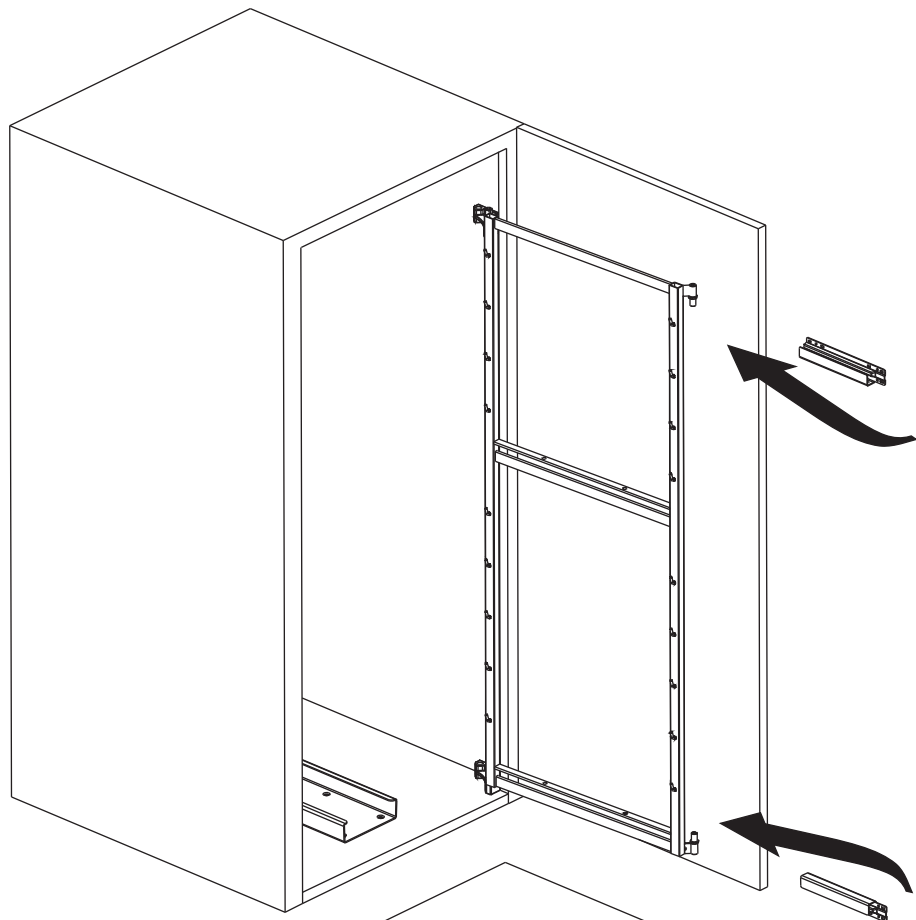


e.



**!** Shown for right mounted Tandem swivel pull out, for left mounted mirror image **!**

**4**



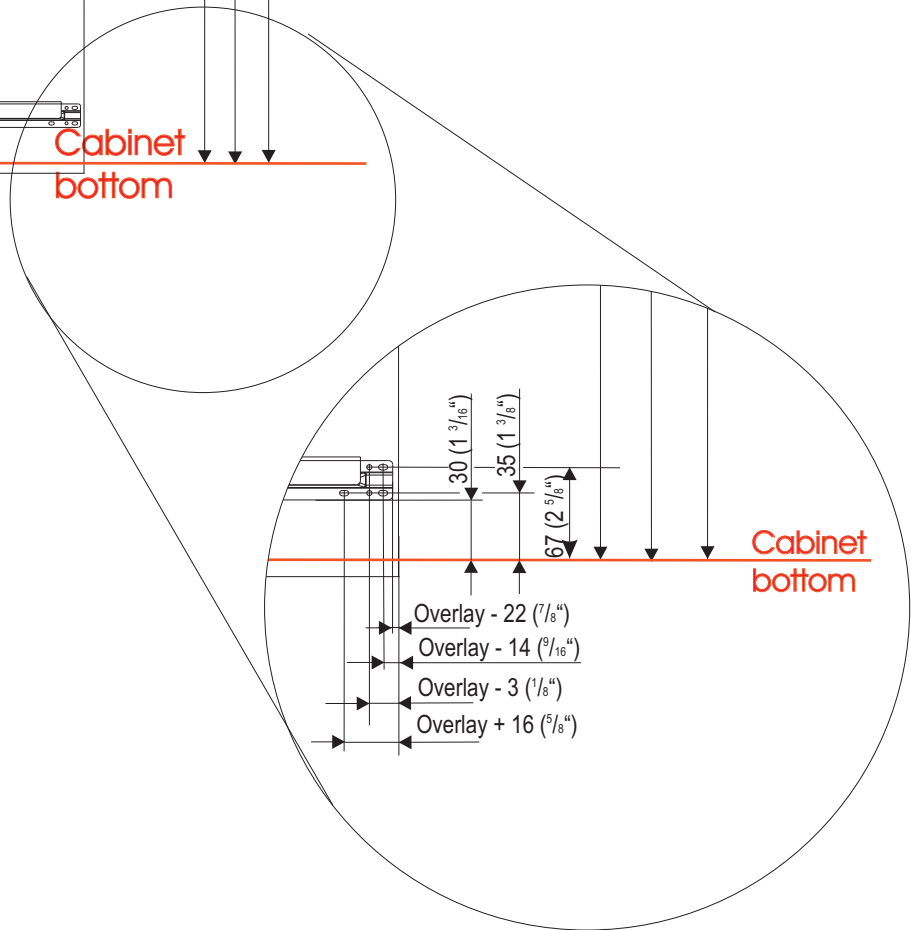
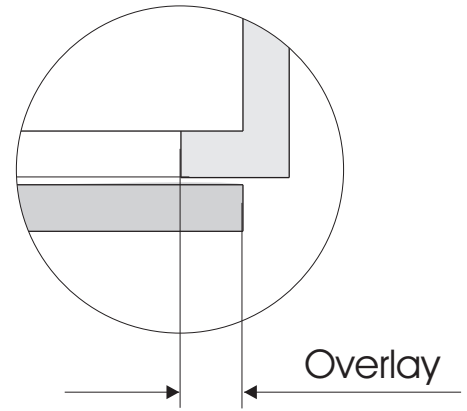
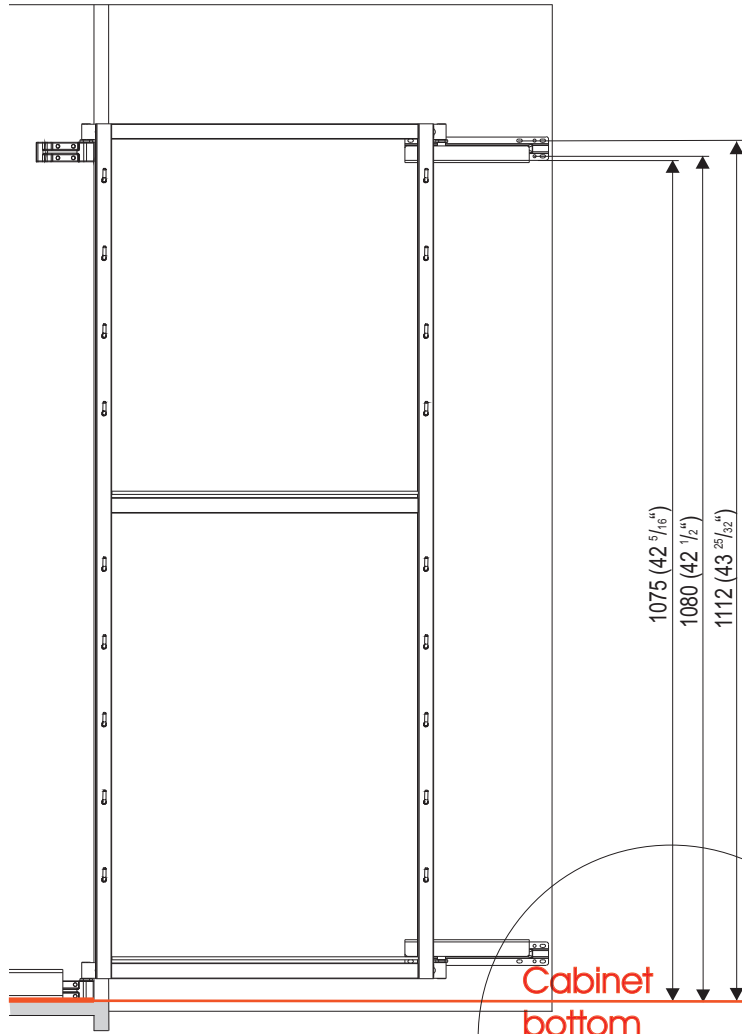
**!** Shown for right mounted Tandem swivel pull out, for left mounted mirror image **!**

Dimensions in mm  
Inches are approximate



# KESSEBÖHMER

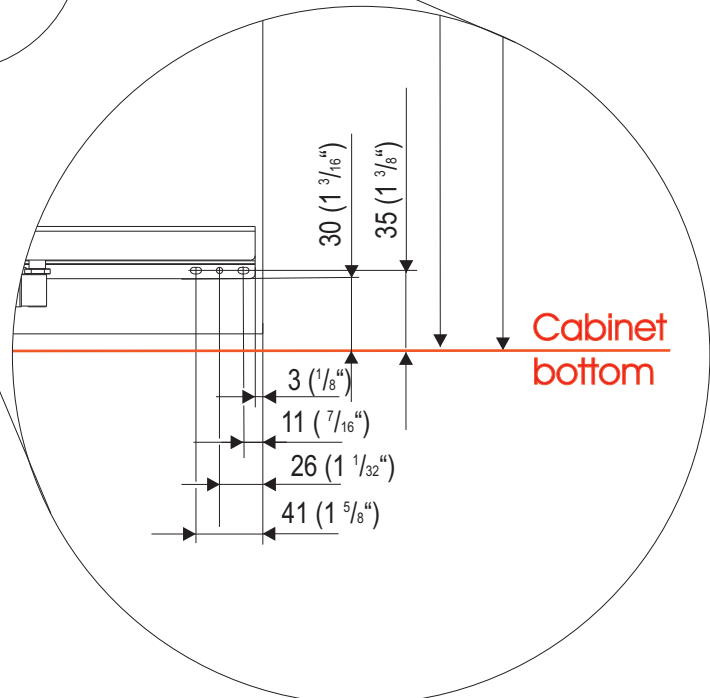
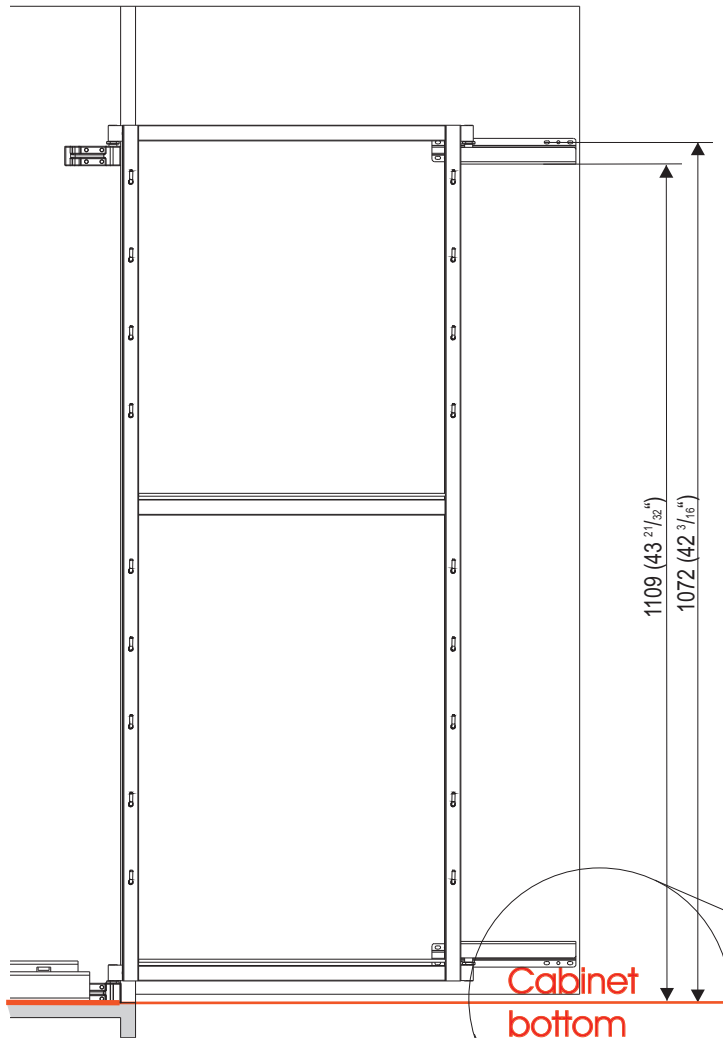
## FaceFrame Cabinet with overlay Door



Dimensions in mm  
Inches are approximate

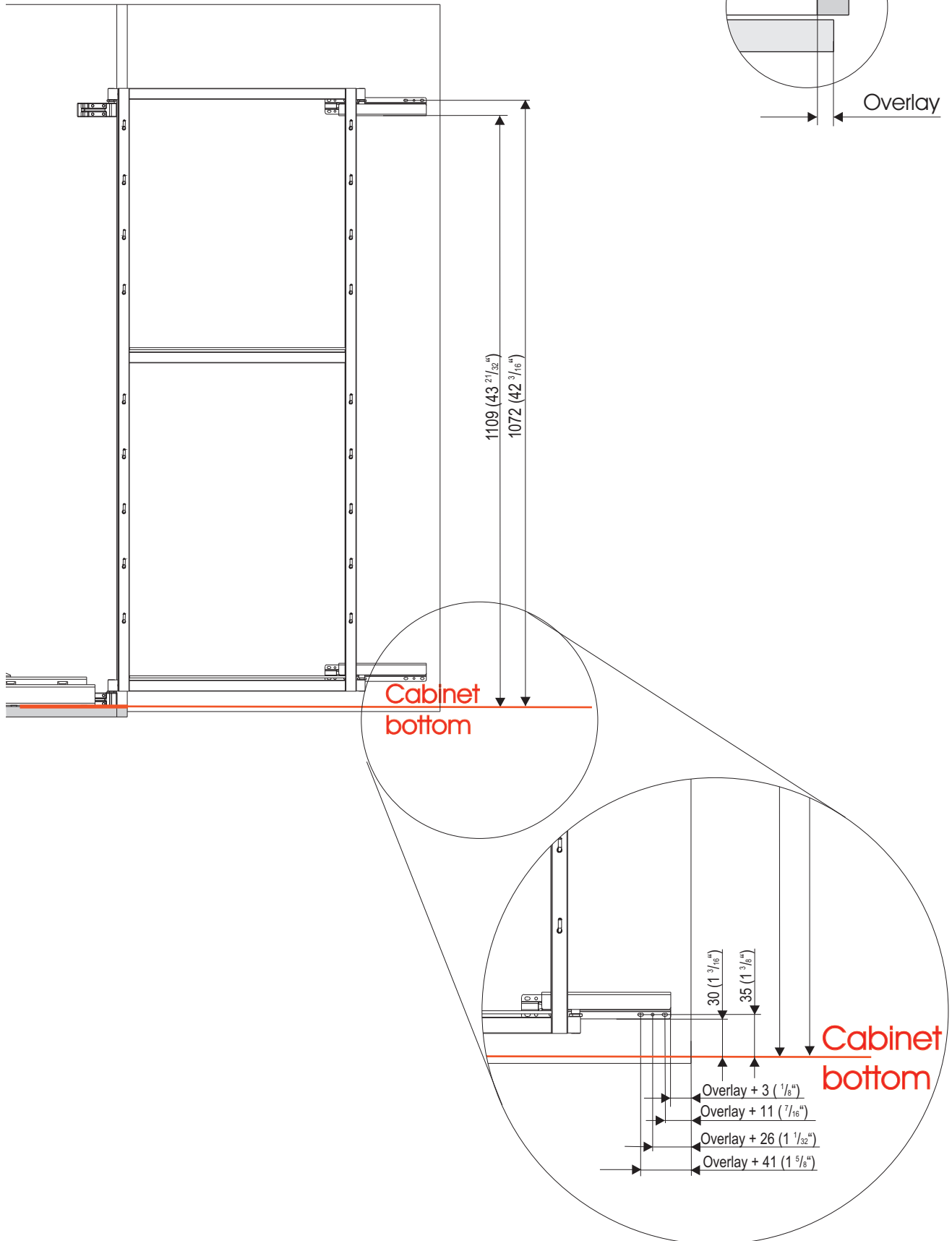


FaceFrame Cabinet  
with inset door



Dimensions in mm  
Inches are approximate

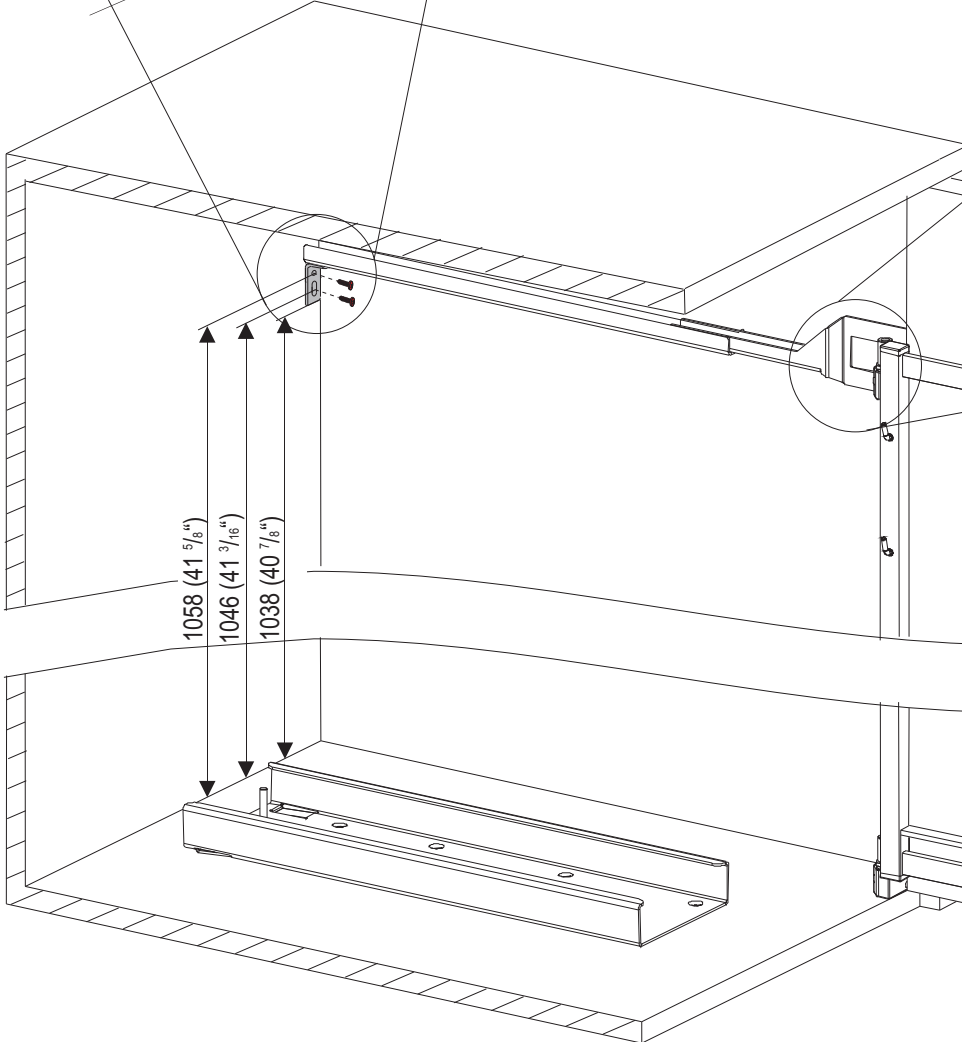
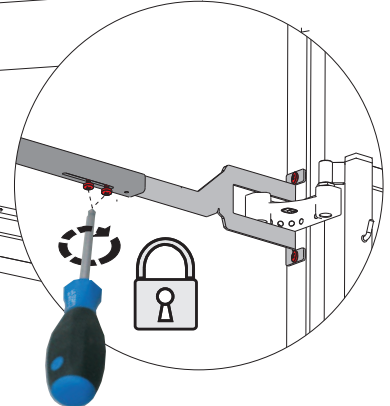
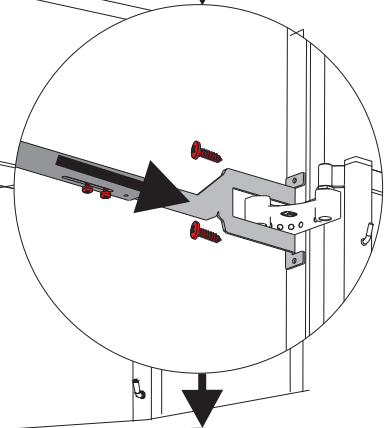
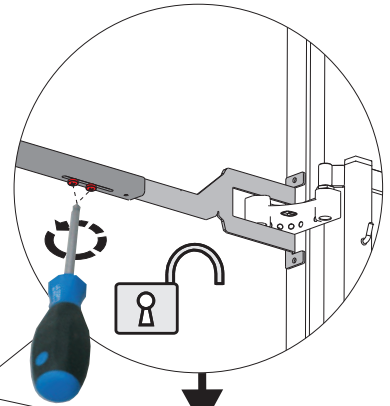
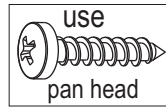
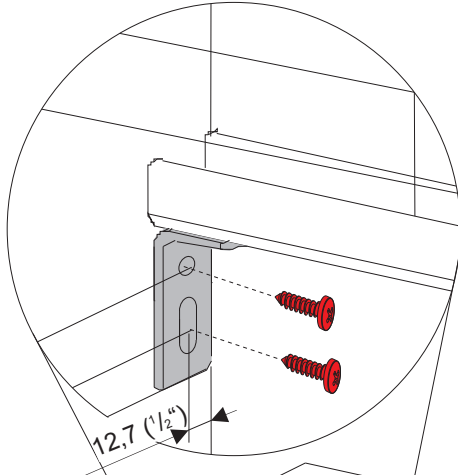
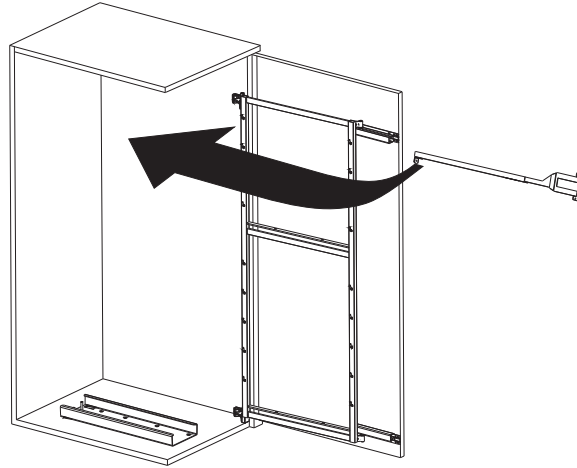
Frameless Cabinet  
with overlay door



Dimensions in mm  
Inches are approximate

**5**

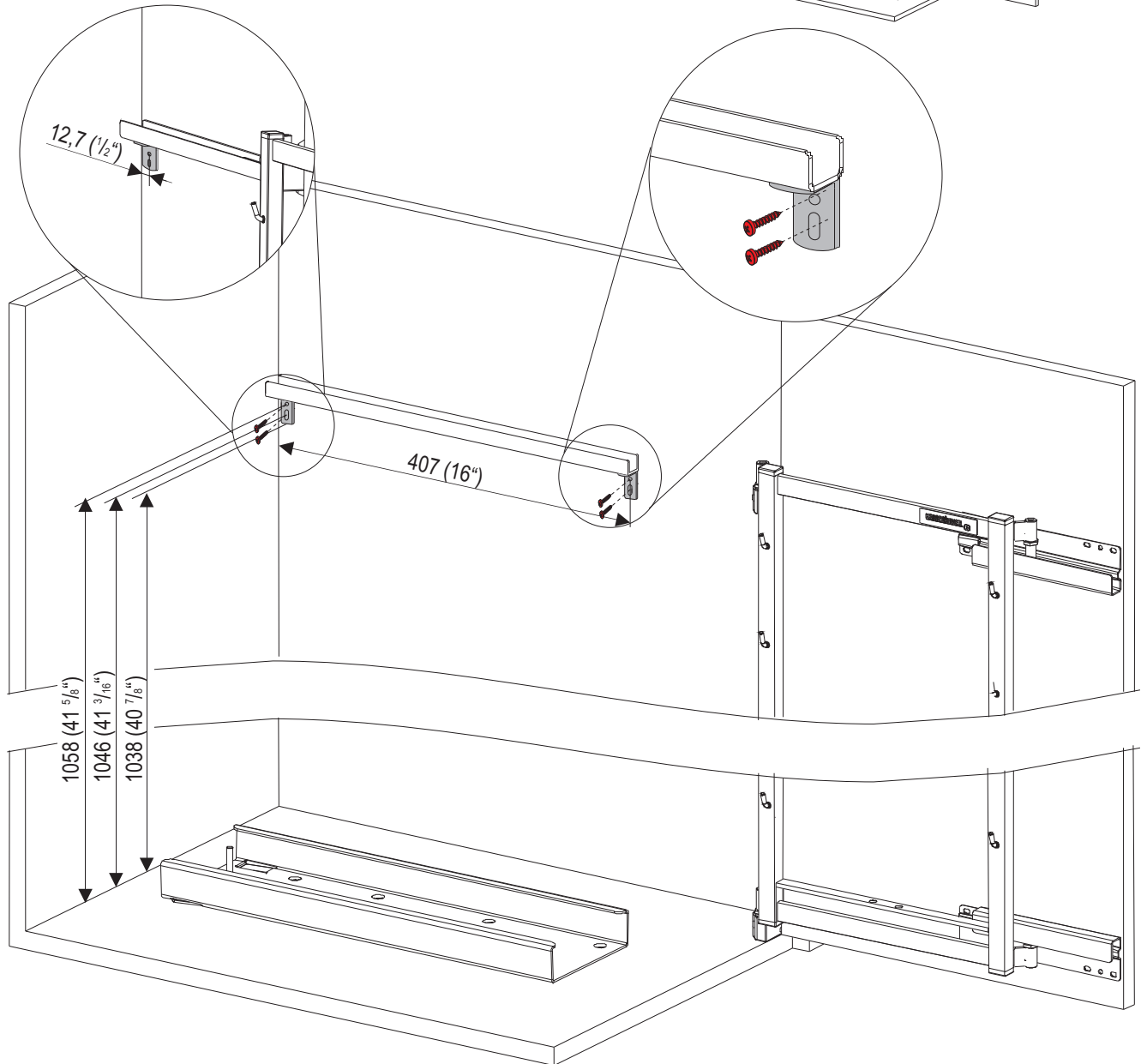
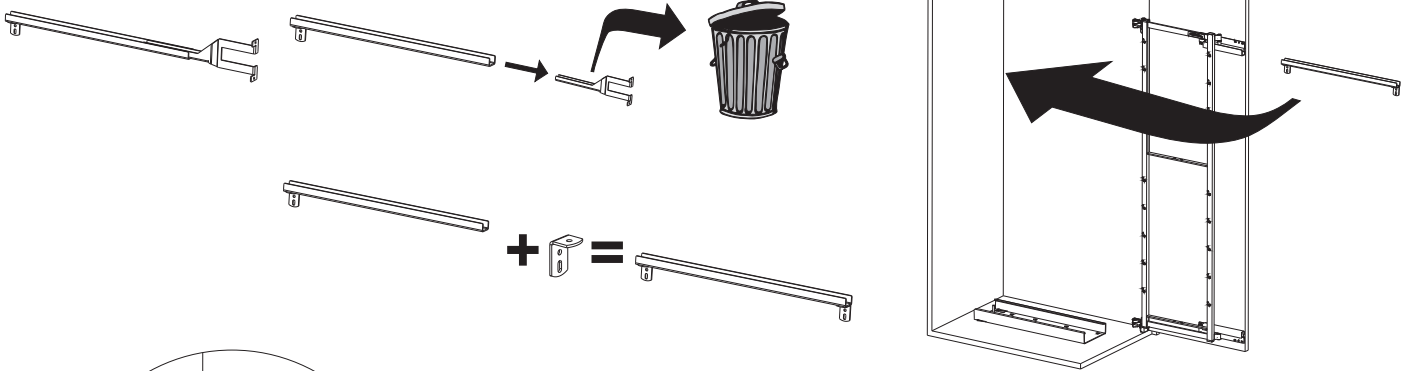
**Framed Cabinets:**



**!** Shown for right mounted Tandem swivel pull out, for left mounted mirror image **!**

**5**

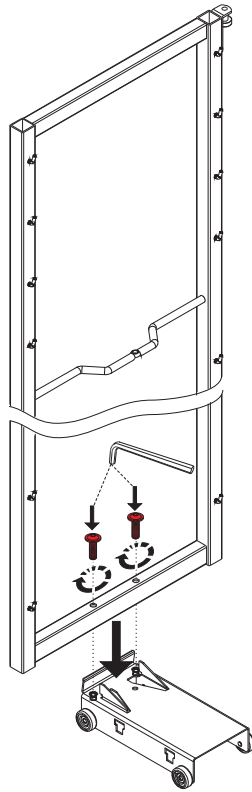
**Frameless Cabinets:**



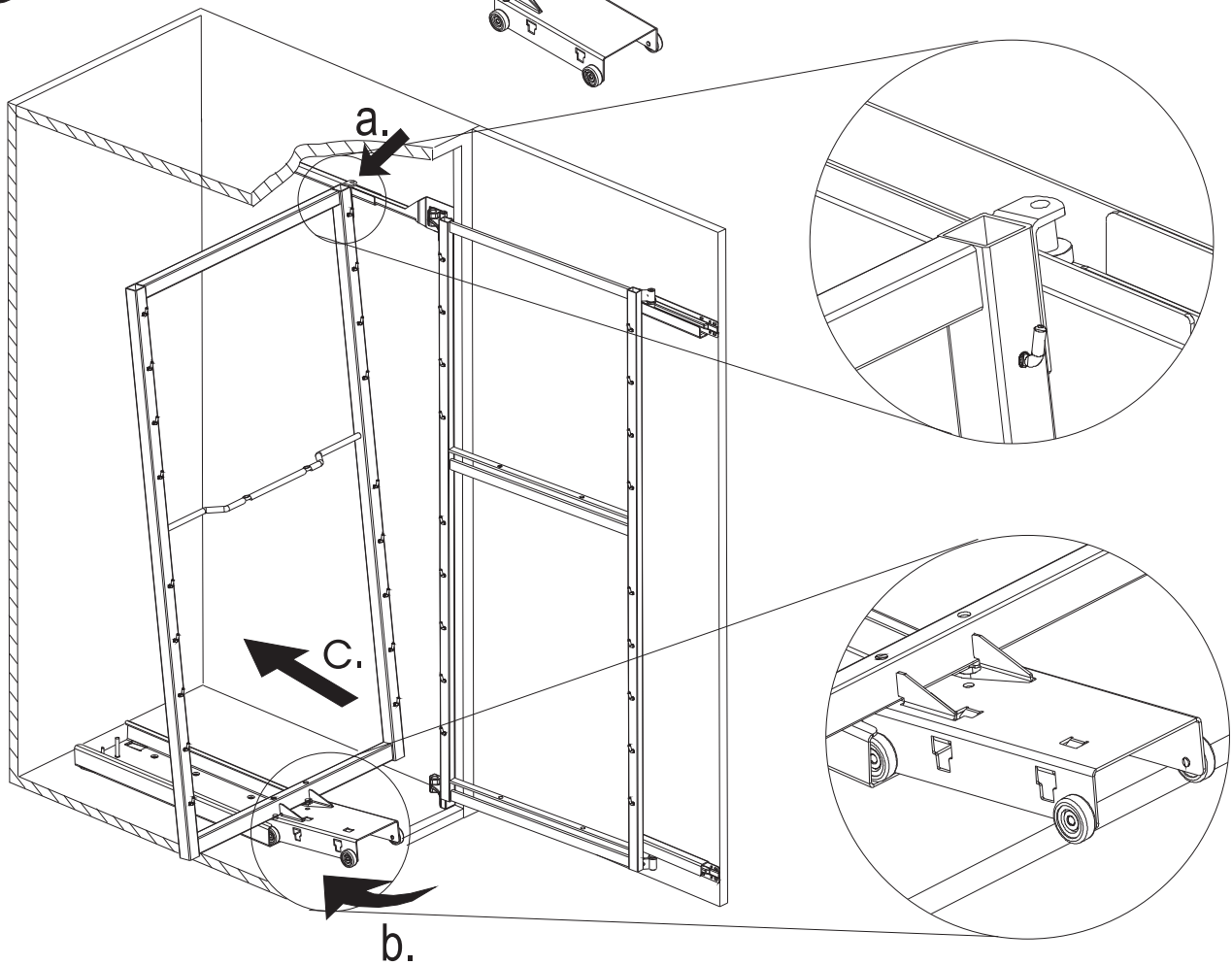
**!** Shown for right mounted Tandem swivel pull out, **!**  
 for left mounted mirror image

Dimensions in mm  
 Inches are approximate

**6**

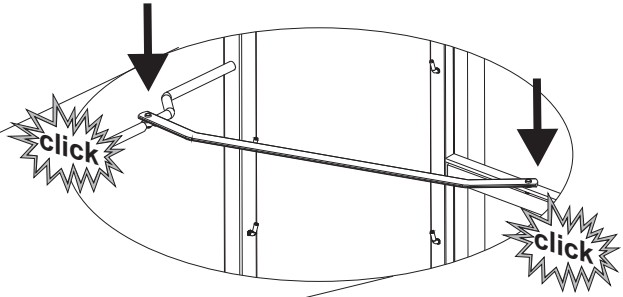
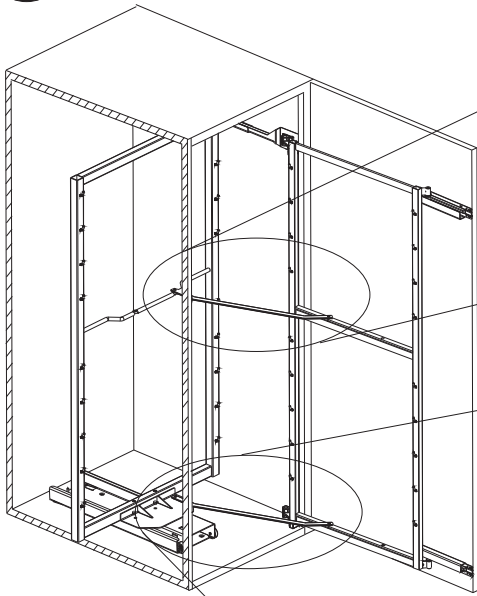


**7**

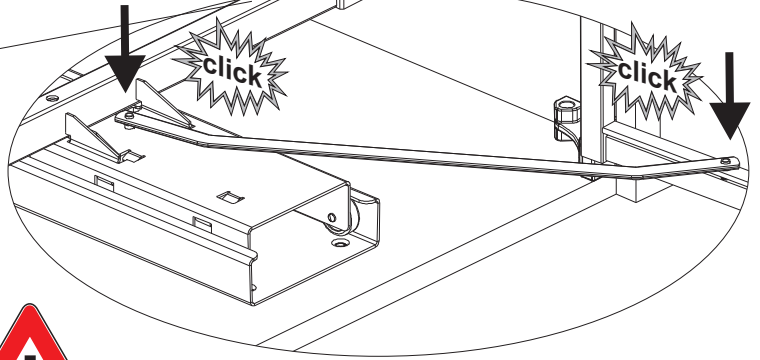


**!** Shown for right mounted Tandem swivel pull out, for left mounted mirror image **!**

**8**



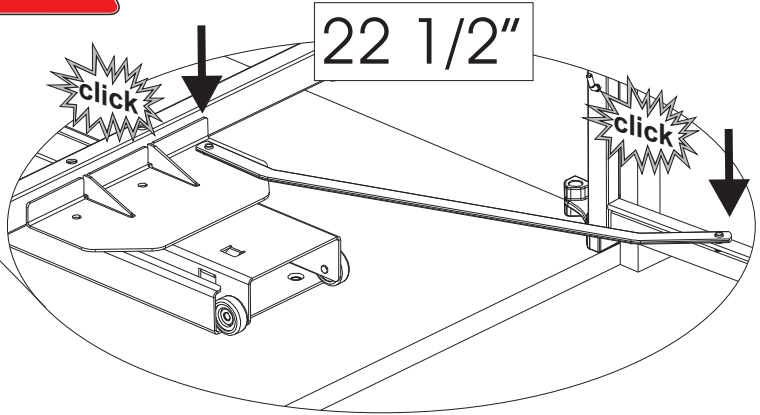
16 1/2" or 19 1/2"



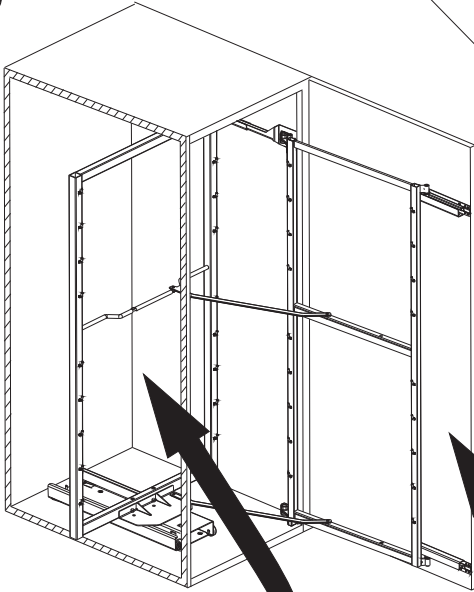
  
reverse for left  
hinged door



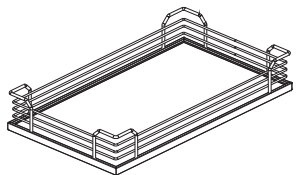
22 1/2"



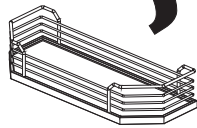
**9**



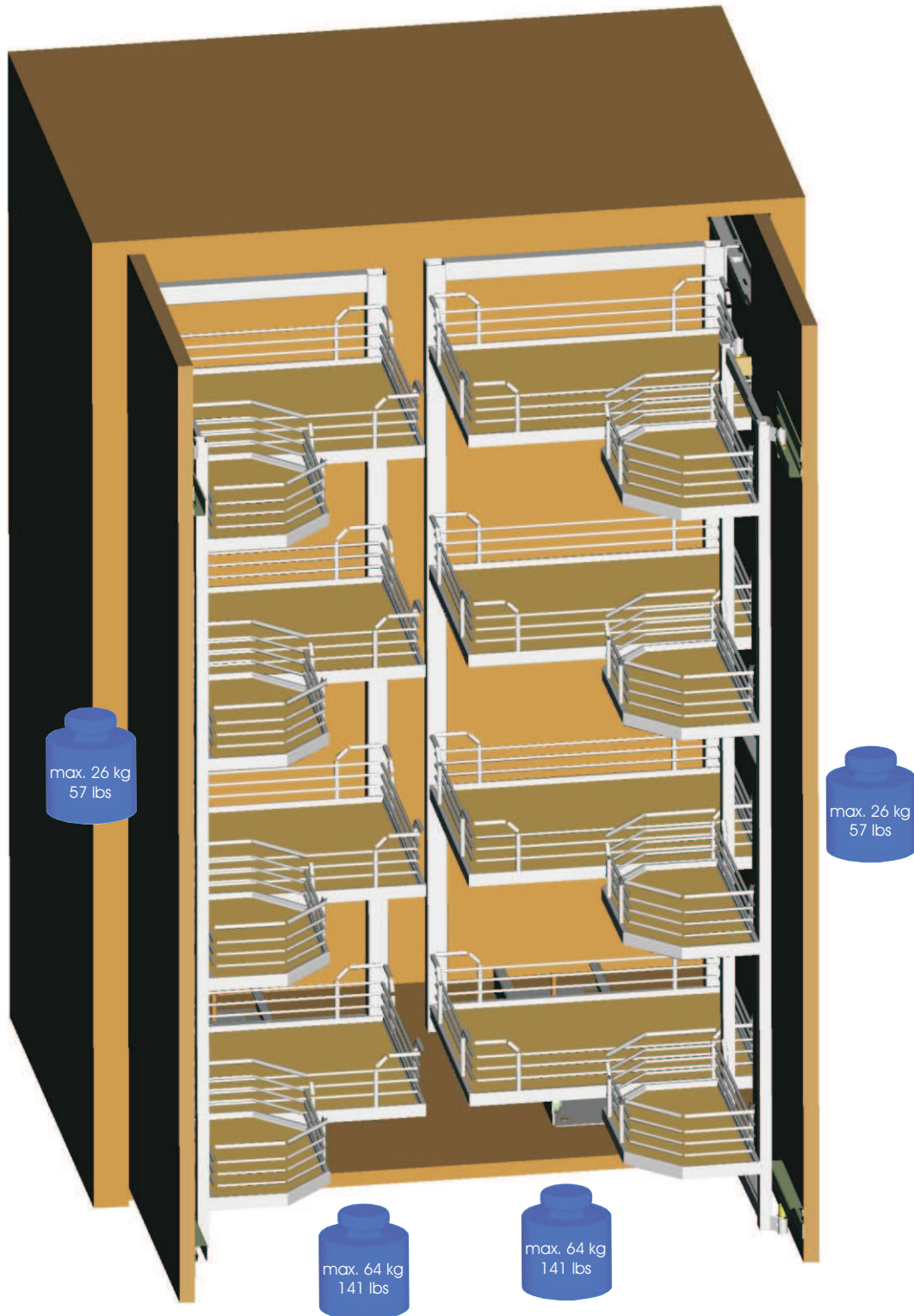
4x



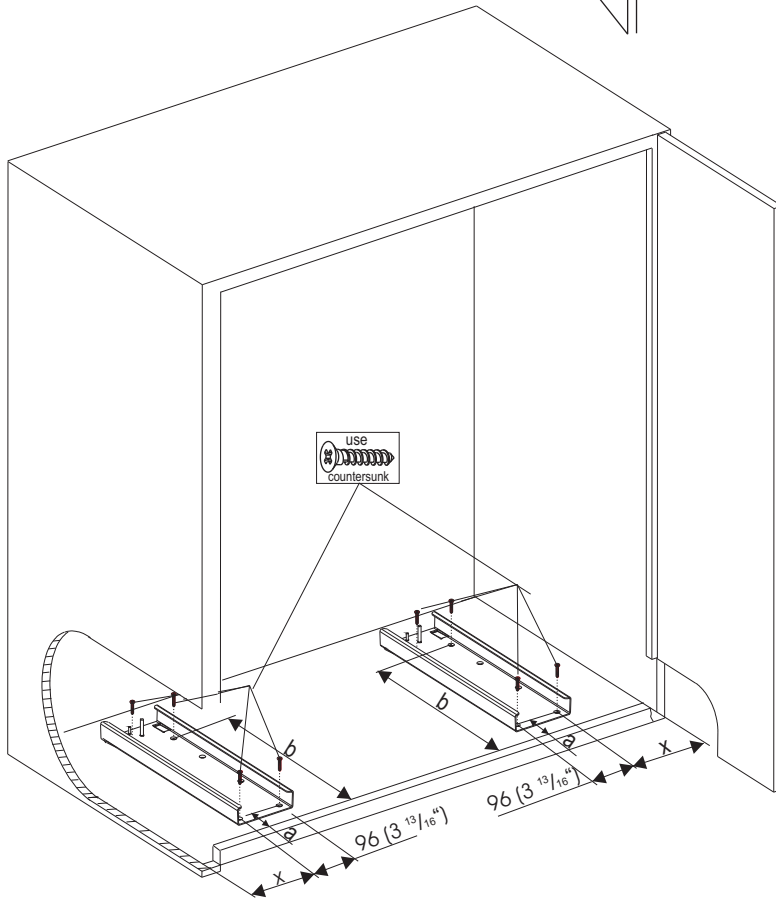
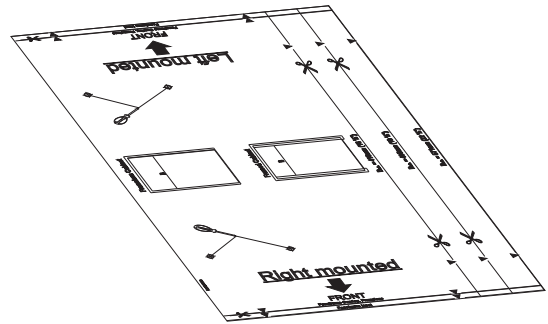
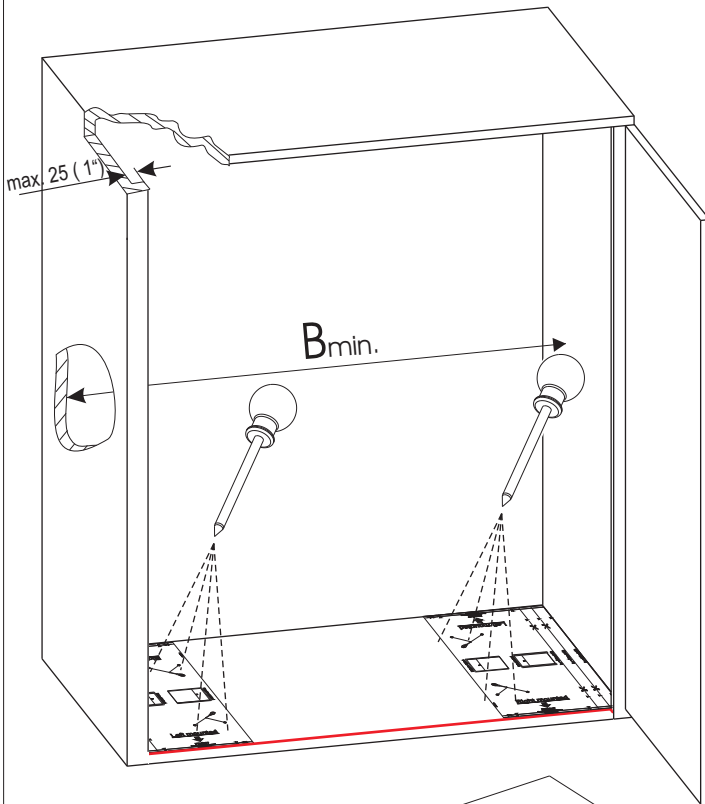
4x



*Installation as Tandem Chef's Pantry depot*



**1** Use mounting template



Bmin.	X
876mm (34 1/2")	172mm (6 3/4")
1029mm (40 1/2")	210mm (8 1/4")
1181mm (46 1/2")	248mm (9 3/4")

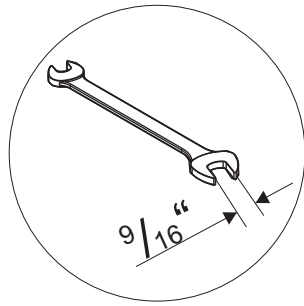
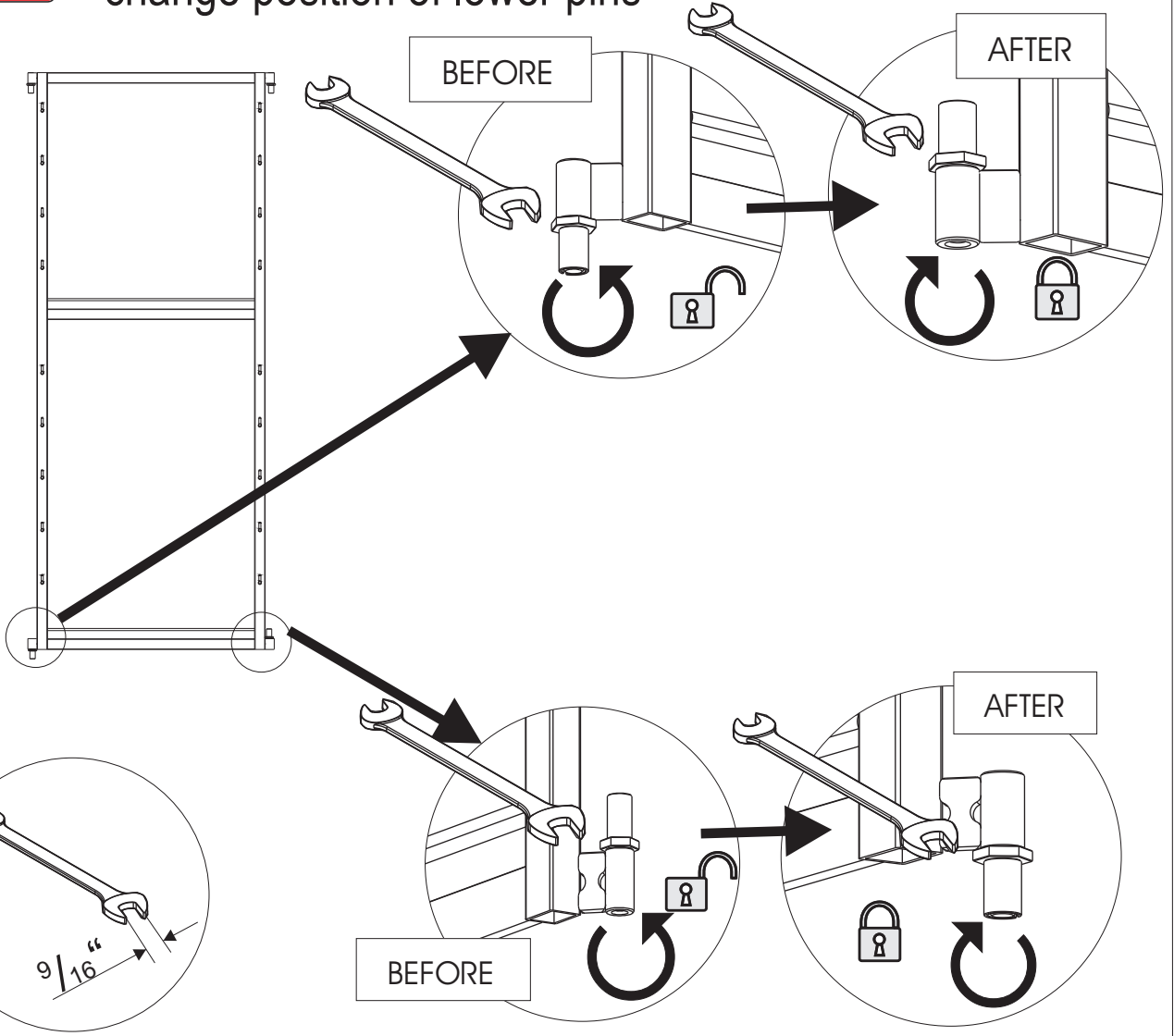
	Faceframe Cabinet with overlay door, Frameless Cabinet	Faceframe Cabinet with inset door
a	124mm (4 7/8")	134mm (5 1/4")
b	476mm (18 3/4")	486mm (19 1/8")





For left hinged door,  
change position of lower pins

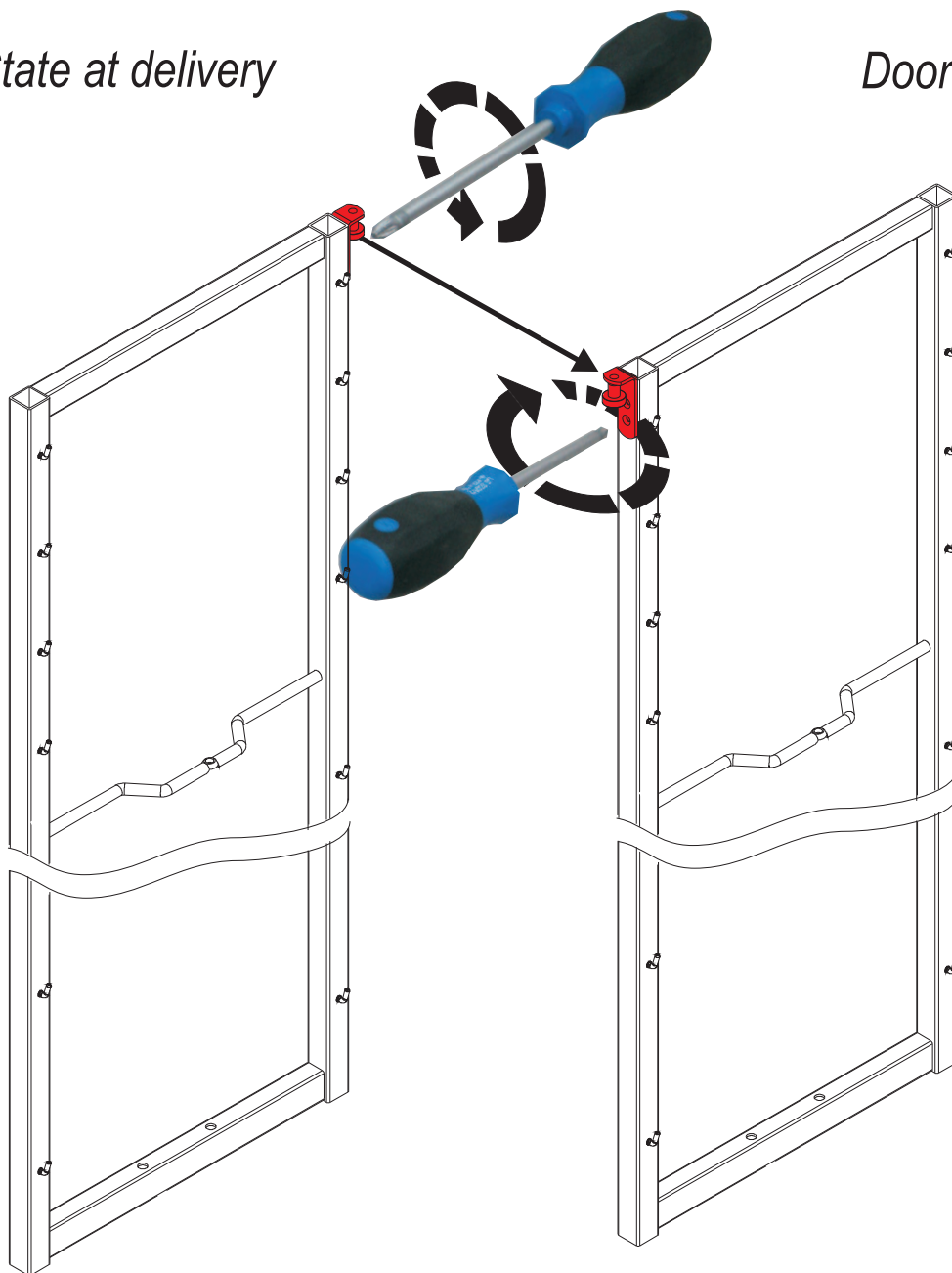
**2**



**3**

*State at delivery*

*Door left mounted*



For continuing assembly  
see page 5 and following