

Always read the instructions completely and carefully before beginning assembly.
Remove and check contents for damage and / or missing parts.

Spice Tray Insert

556.99.114 1-1/8"H x 15-1/4"W x 19-1/2"D
556.99.117 1-1/8"H x 23-1/2"W x 19-1/2"D

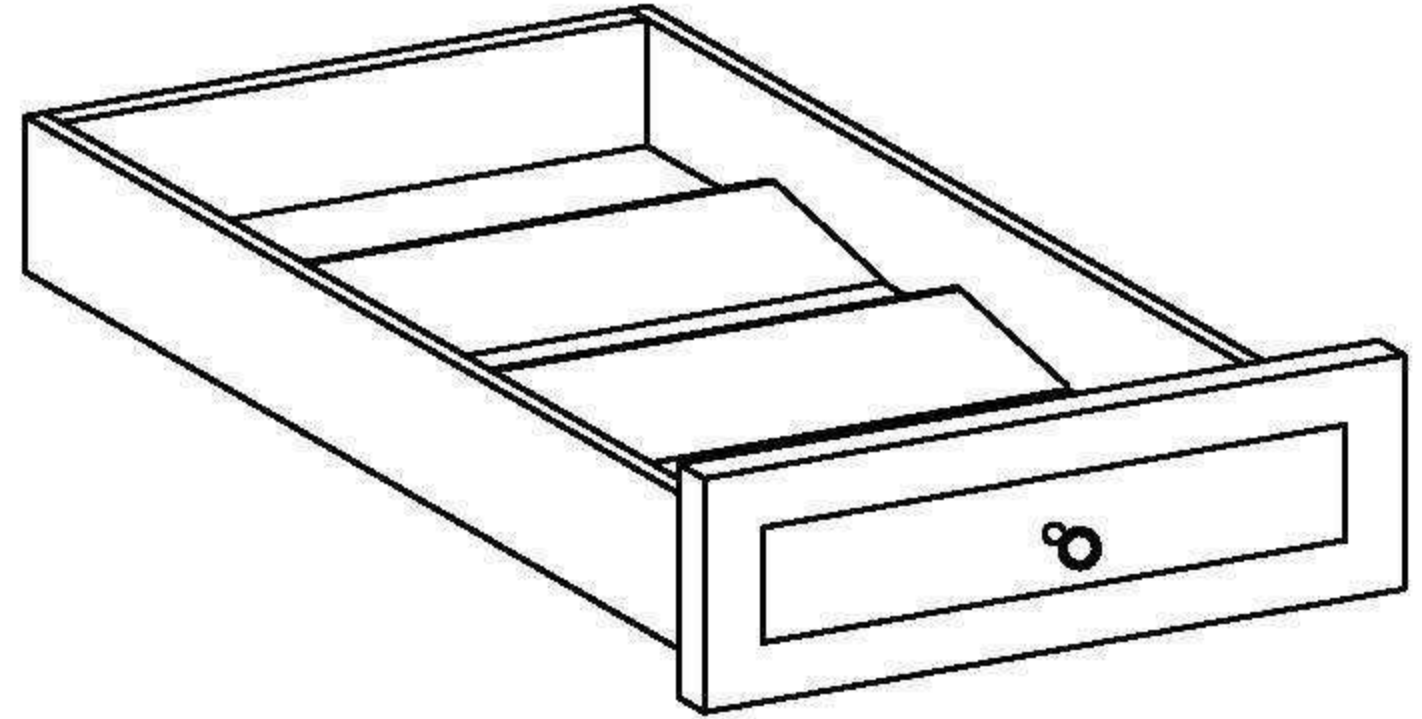


Fig. 1

Contents of Box:

1 - Spice Tray Insert

You will need:

Safety Glasses
Tape Measure
Table Saw

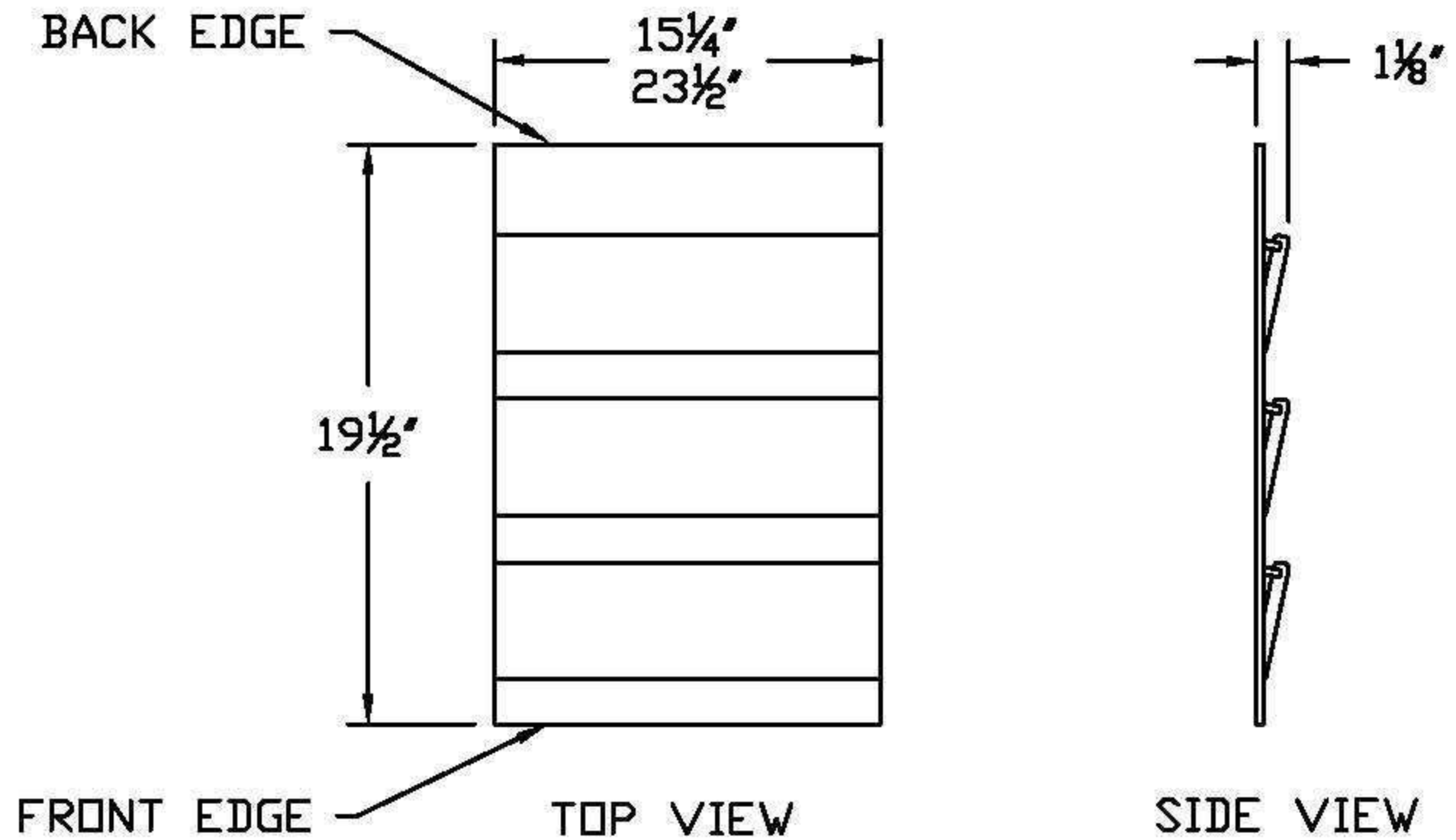


Fig. 2

Installation Instructions

Step 1 Measure the width and depth of drawer.

If drawer width is less than the width of the Spice Tray Insert you will have to trim the width using a table saw so that the Spice Tray Insert will fit inside the drawer.

If the length of the Spice Tray Insert is too long for the depth of the drawer you will also have to cut the back side of the insert so it will fit inside the drawer.

Step 2 Install the unit inside the drawer, no adhesive necessary.