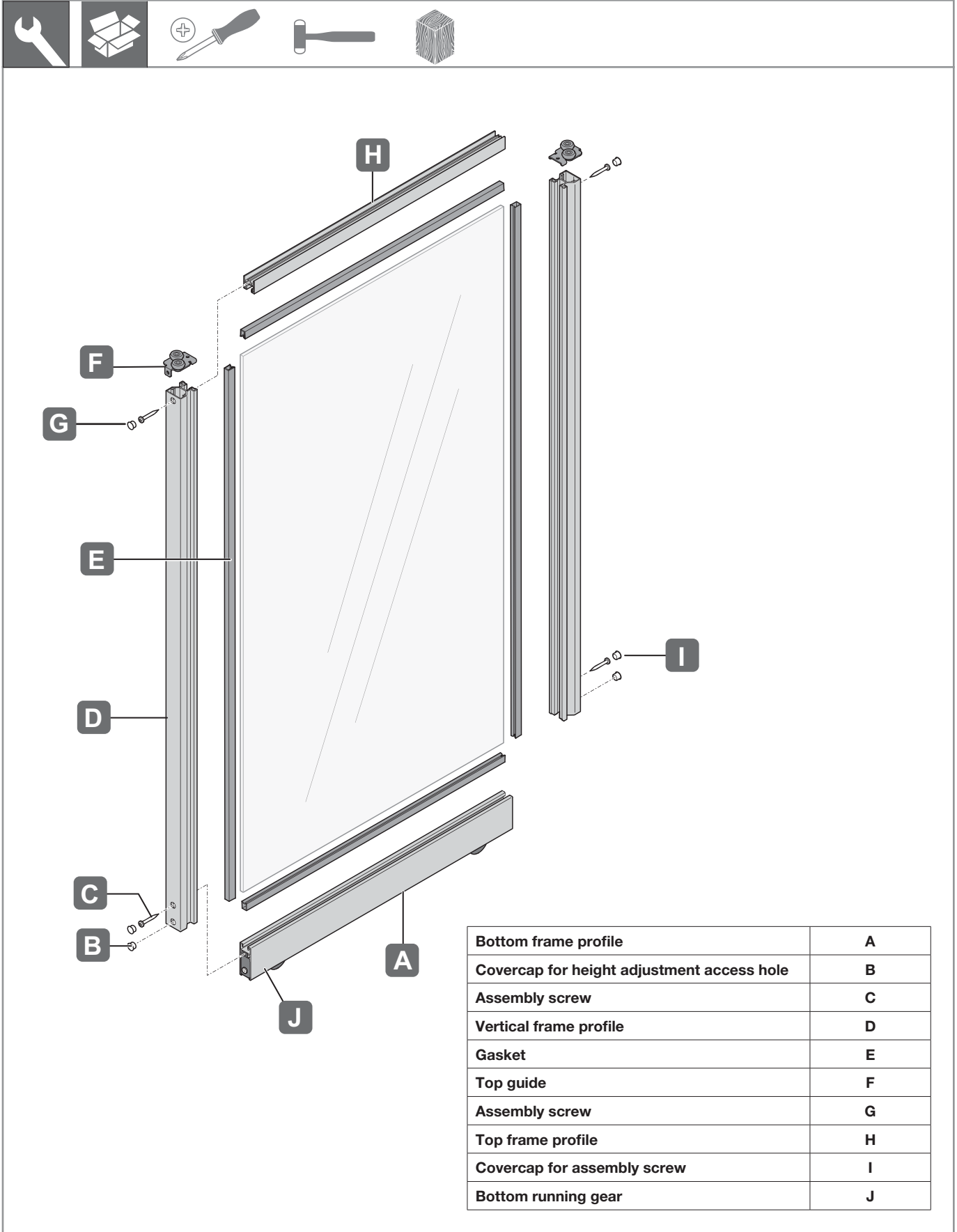


# Silent Aluflex Door Assembly

Item No.: 732.24.415



# Silent Aluflex Door Assembly

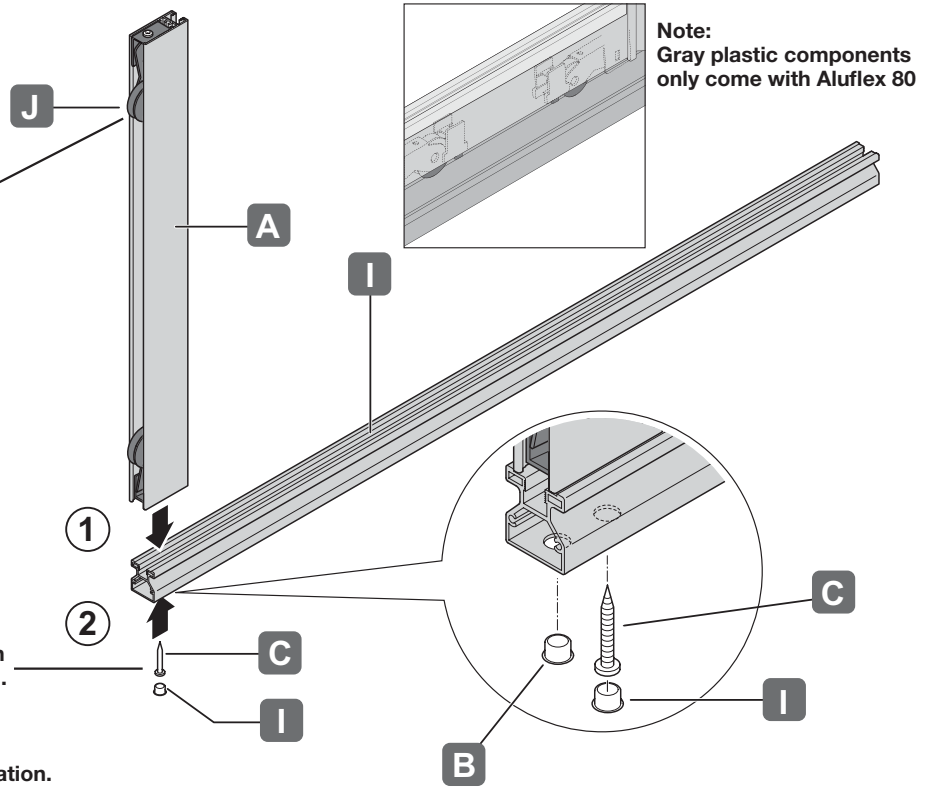
1



**Note:**  
Insert bottom running gear by sliding into bottom frame profile prior to assembling the vertical frame profile.

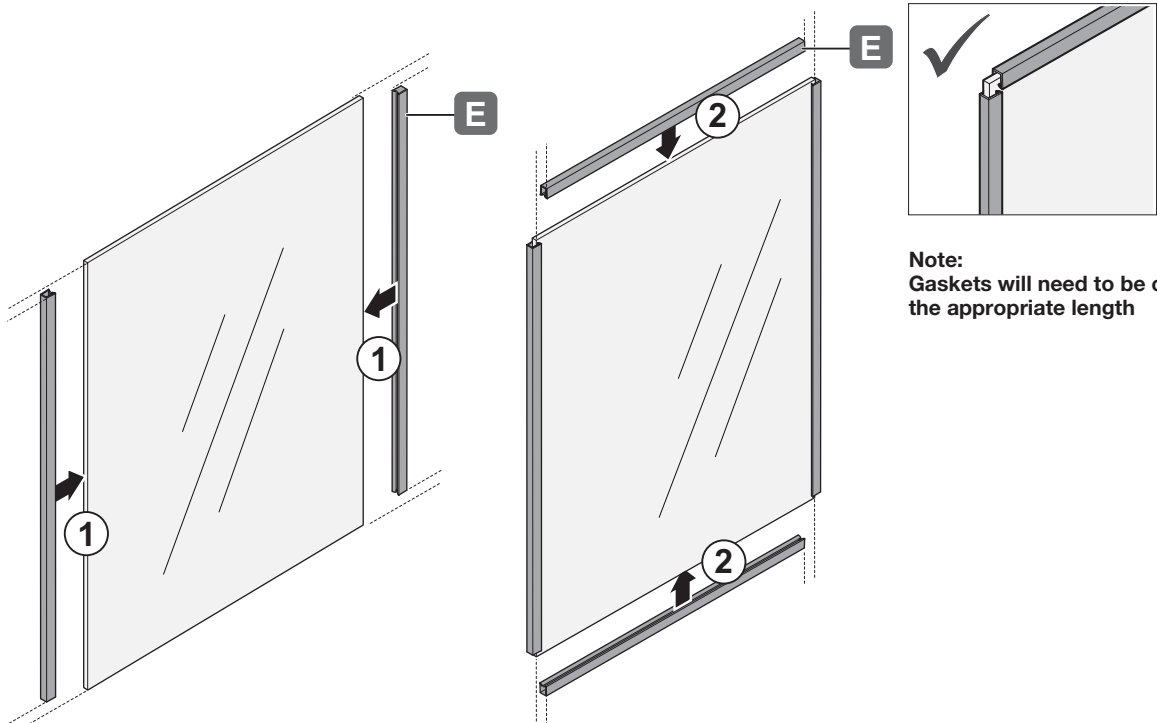
**Note:**  
1. Insert screws. Ensure they line up with female screw bosses.  
2. Manually tighten screws until mating profiles make contact.  
3. Turn screwdriver one quarter turn (after mating parts make contact).

**Do Not:**  
1. Over-tighten screws.  
2. Use power tools for screw installation.



**Note:**  
Gray plastic components only come with Aluflex 80

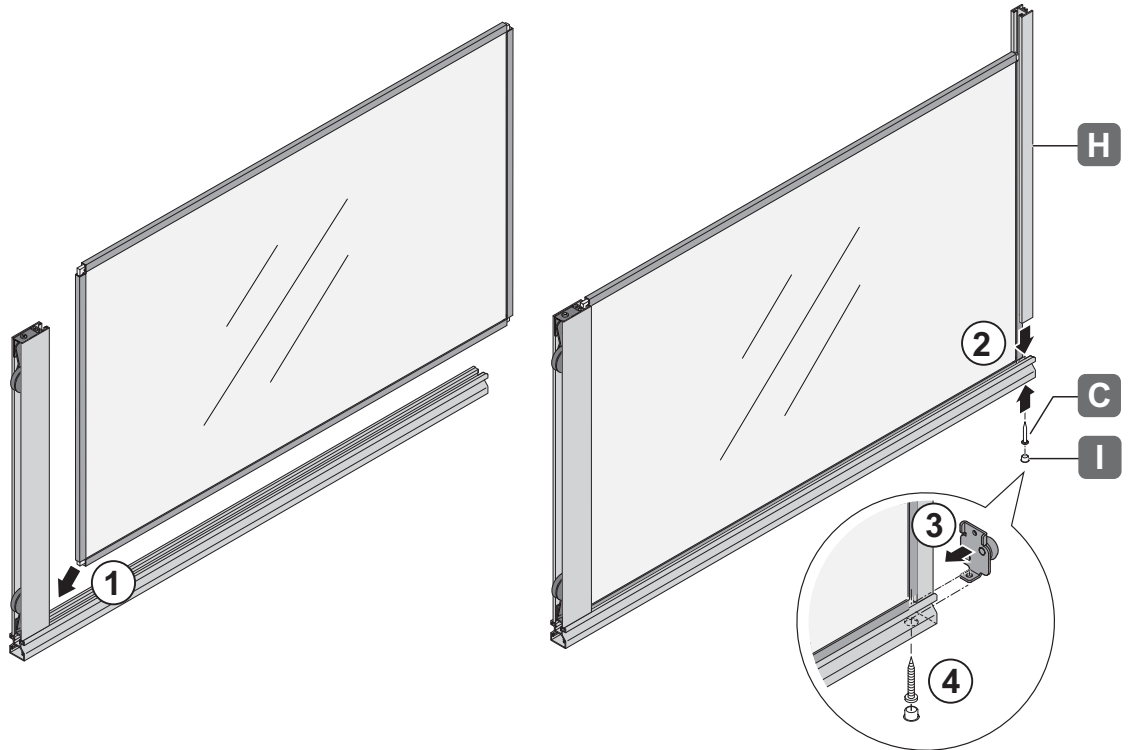
2



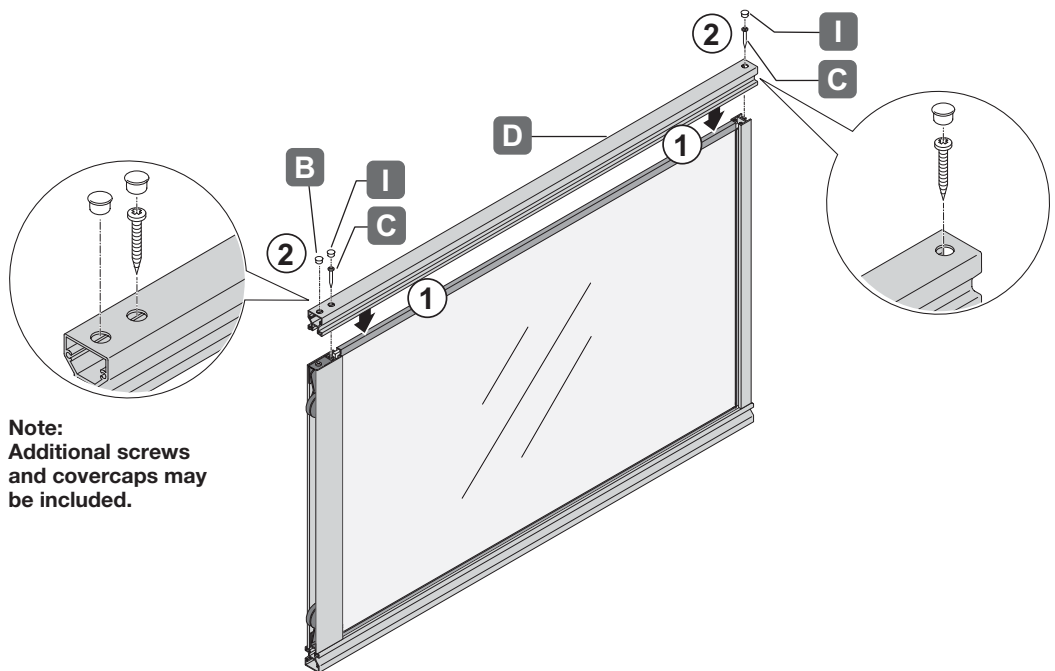
**Note:**  
Gaskets will need to be cut to the appropriate length

# Silent Aluflex Door Assembly

3

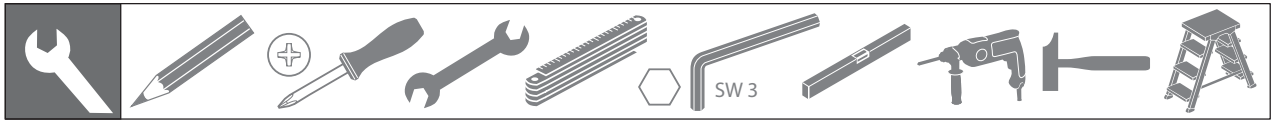



4



**Note:**  
Additional screws  
and covercaps may  
be included.

# Silent Aluflex Door Installation



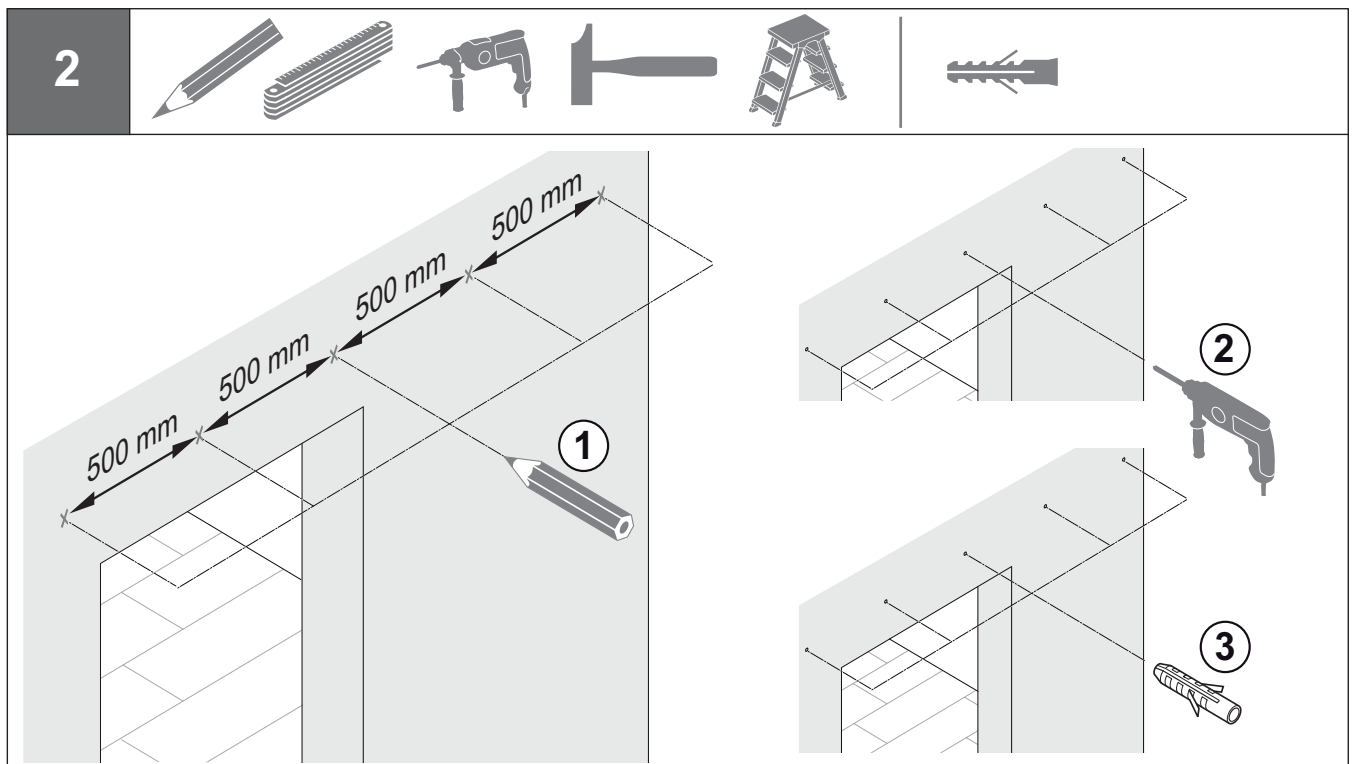
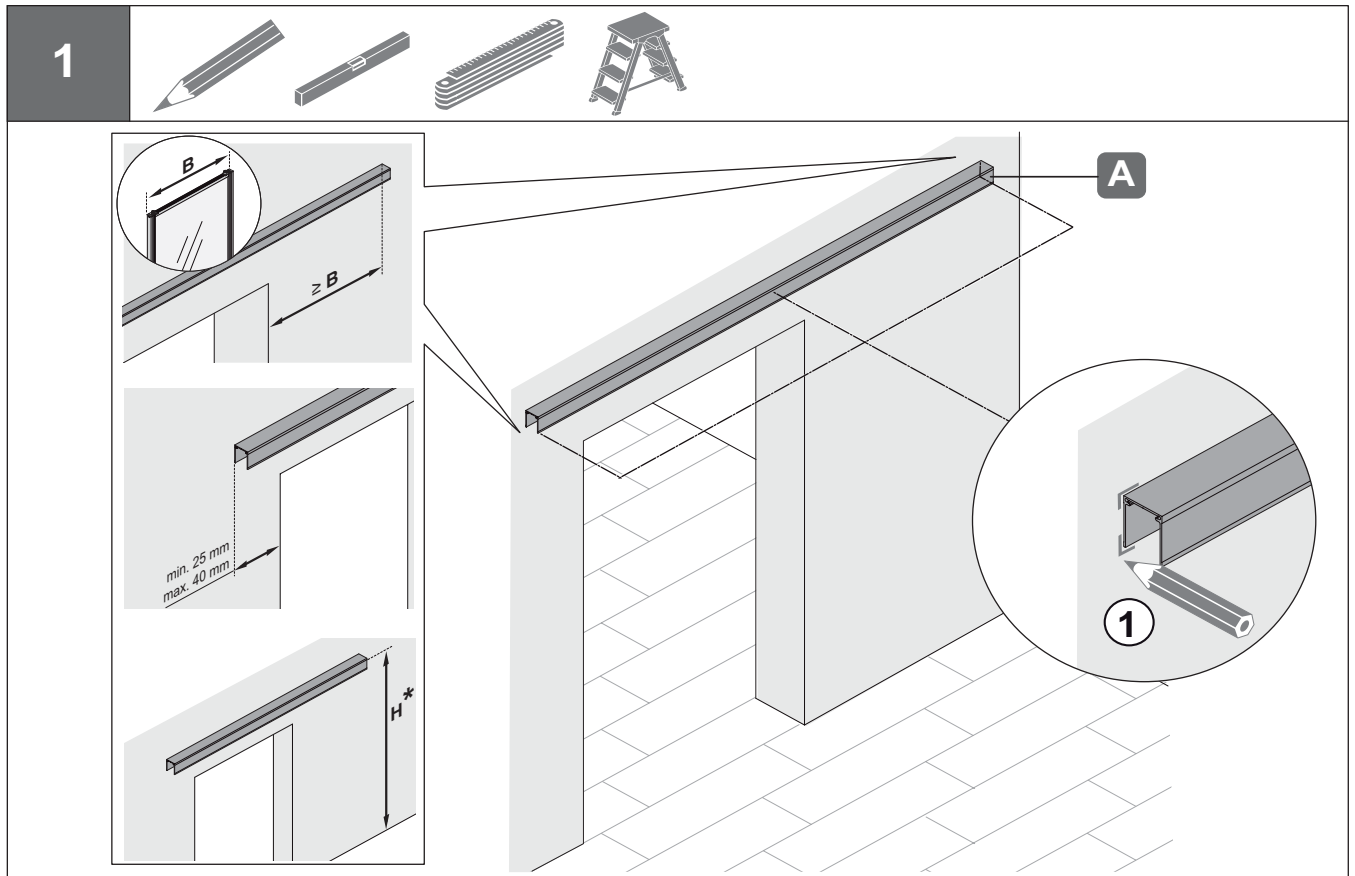


**Silent Aluflex Door Installation**

Top Guide Tracks	A
Wall Mounting Bracket	B
End Bracket for Guide Tracks	C/D
Bottom Running Track	E
Cover Cap for Single Bottom Running Track	F

\* Version depends on the order. Single, double and triple tracks are available

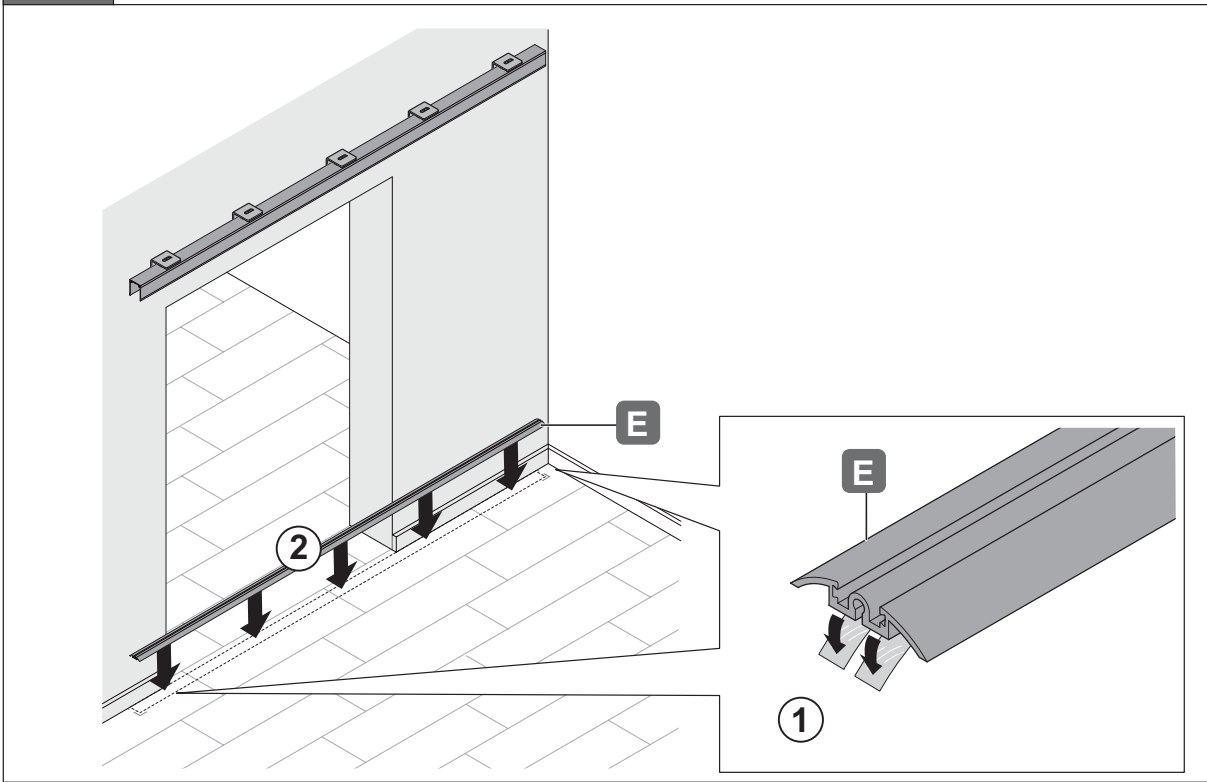
# Silent Aluflex Door Installation - Mounting: Barn Door



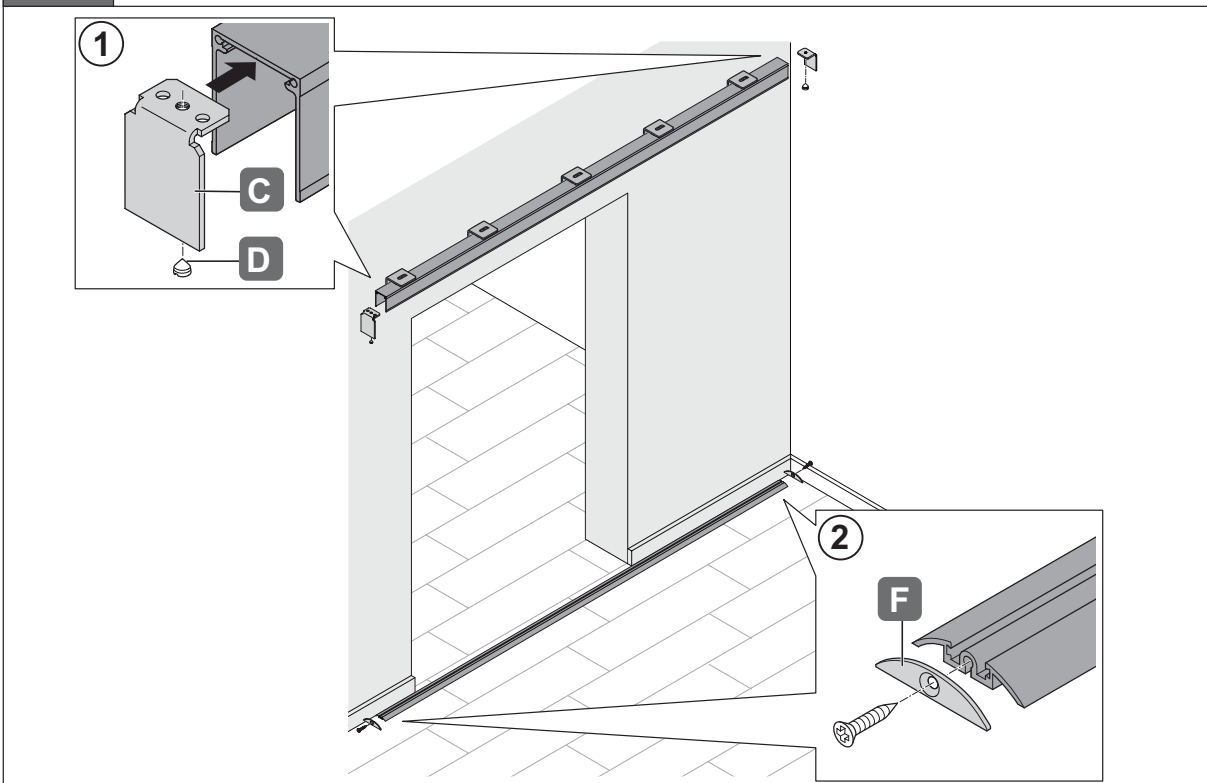
\* Installation height H depends on door dimensions

# Silent Aluflex Door Installation - Mounting: Barn Door

3

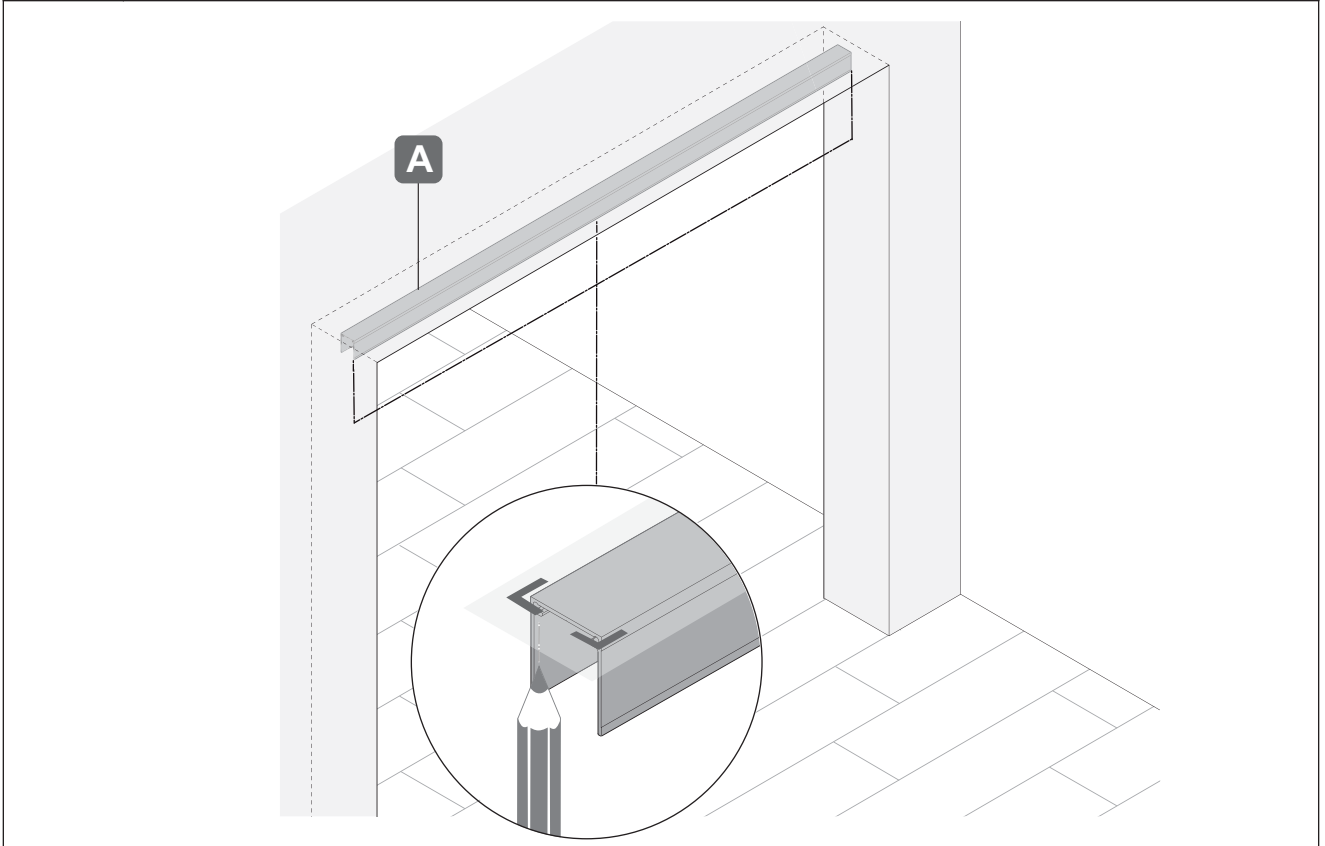
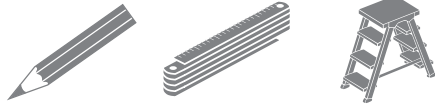


4

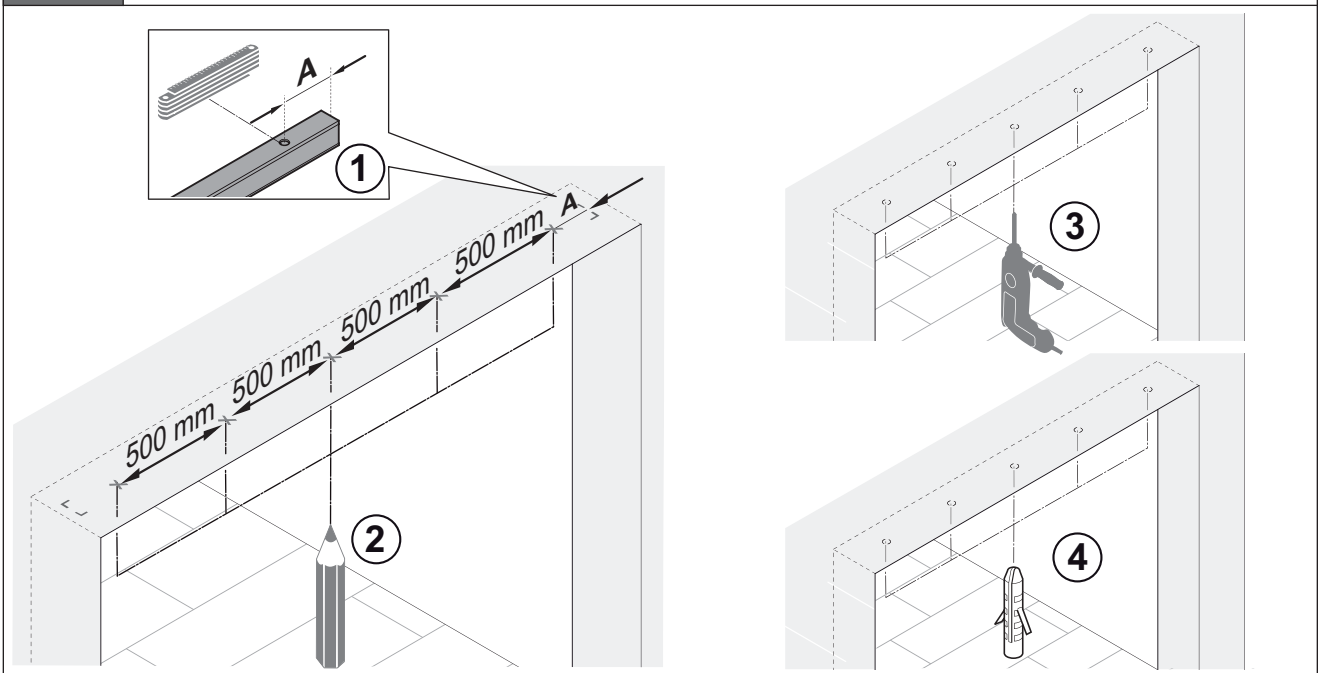


# Silent Aluflex Door Installation - Mounting: Inside Opening


1

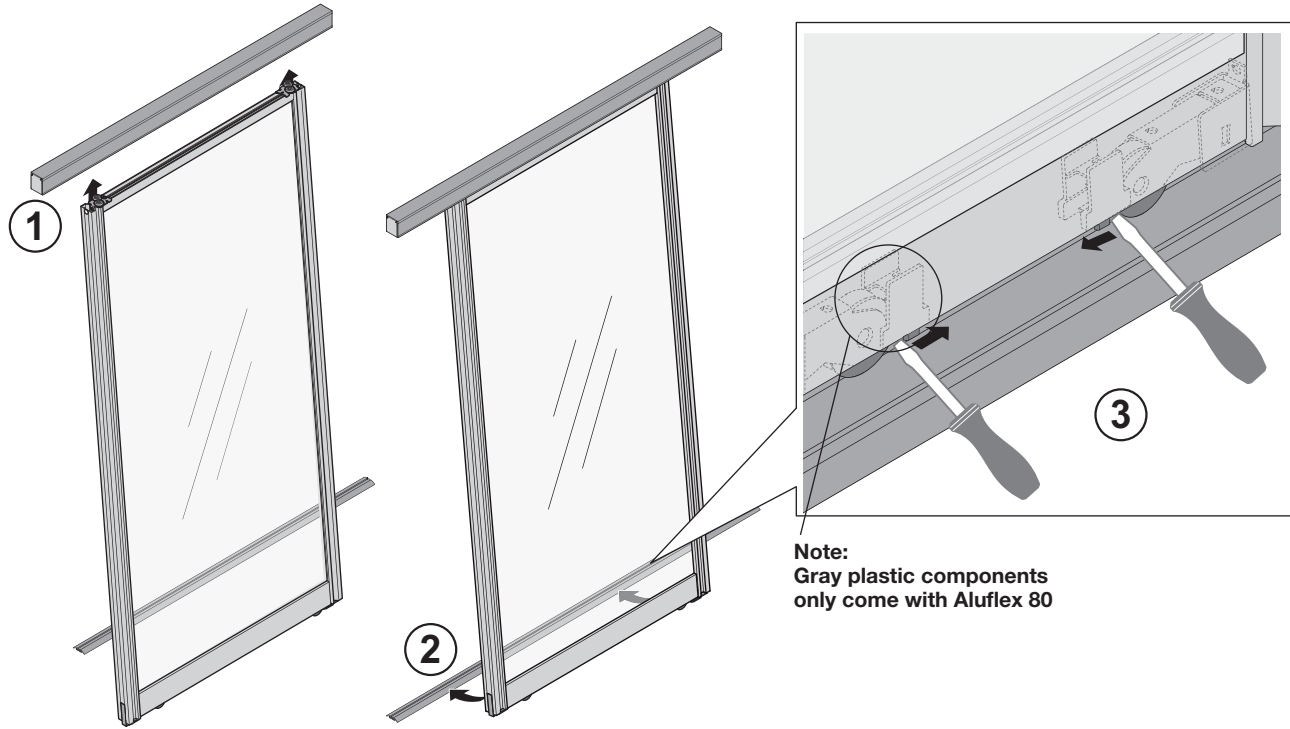


2



# Silent Aluflex Door Installation - Installing/Removing Door

 **Installation**




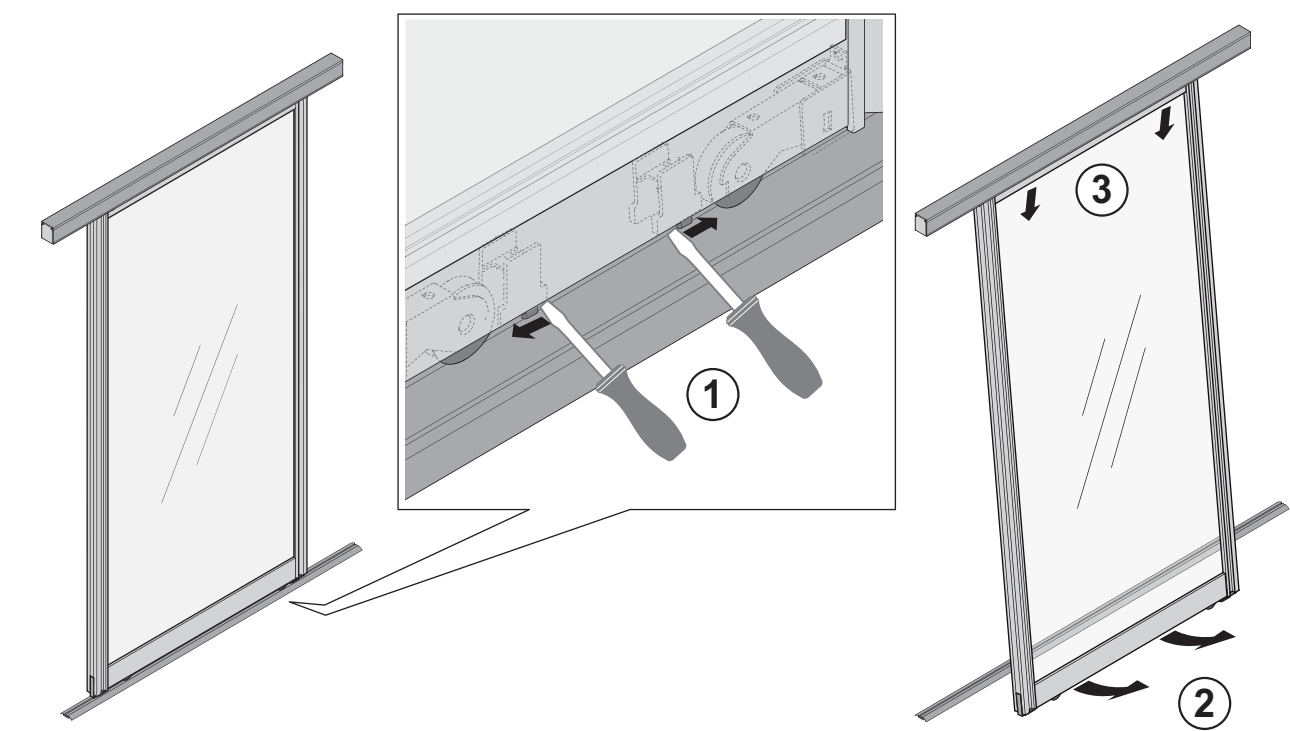
**1**

**2**

**3**

Note:  
Gray plastic components  
only come with Aluflex 80

 **Removal**



**1**

**2**

**3**

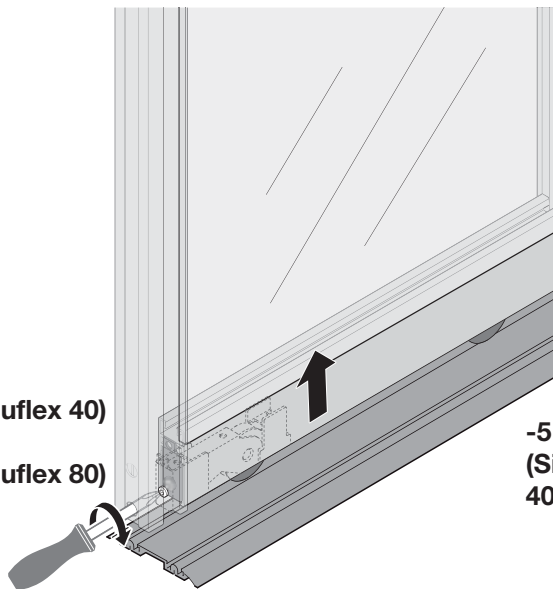


# Silent Aluflex Door Installation - Adjustment

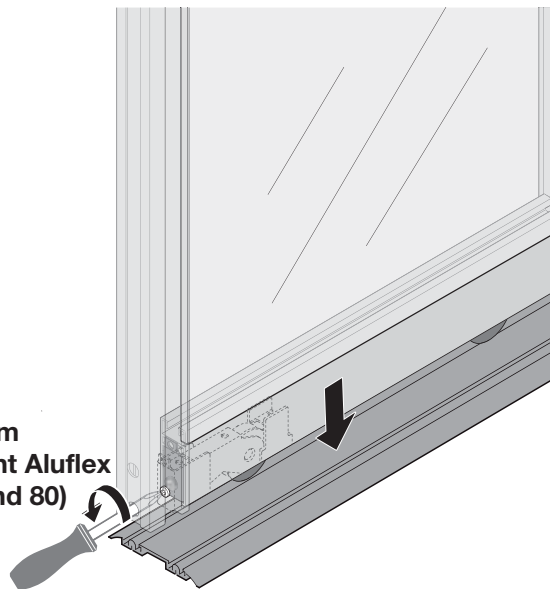
1



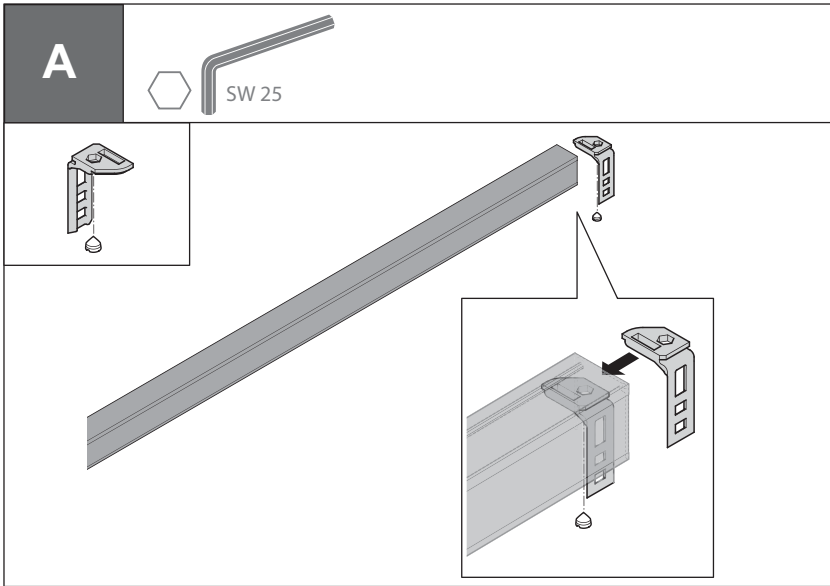
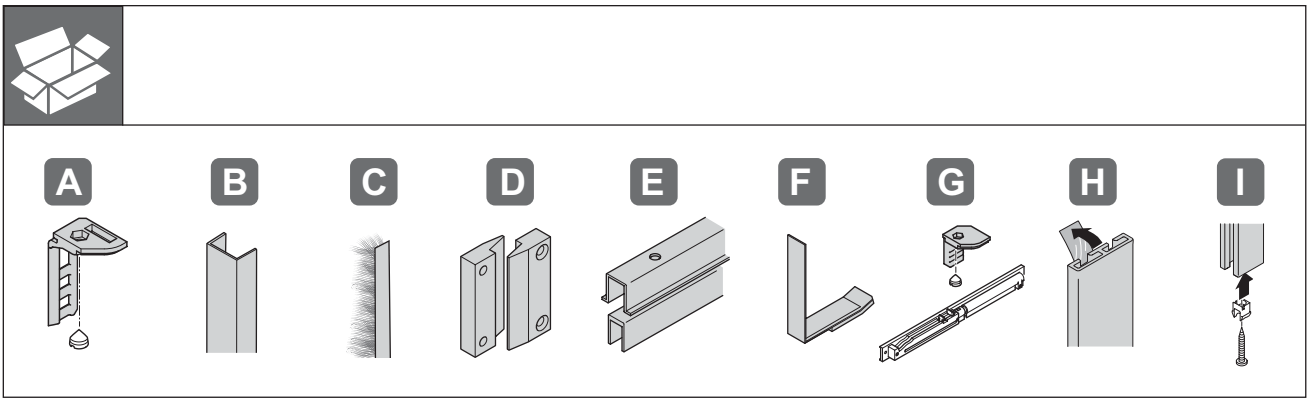
+6 mm  
(Silent Aluflex 40)  
+10 mm  
(Silent Aluflex 80)



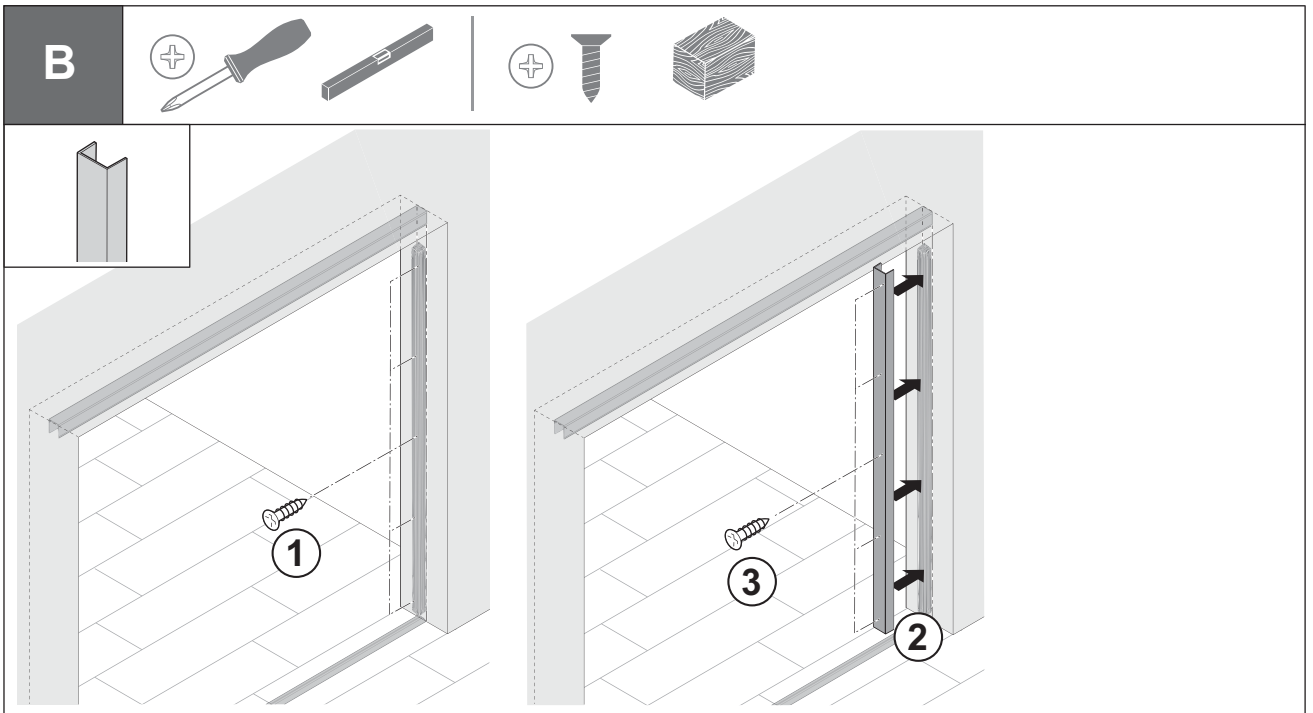
-5 mm  
(Silent Aluflex  
40 and 80)



# Silent Aluflex Door Accessories

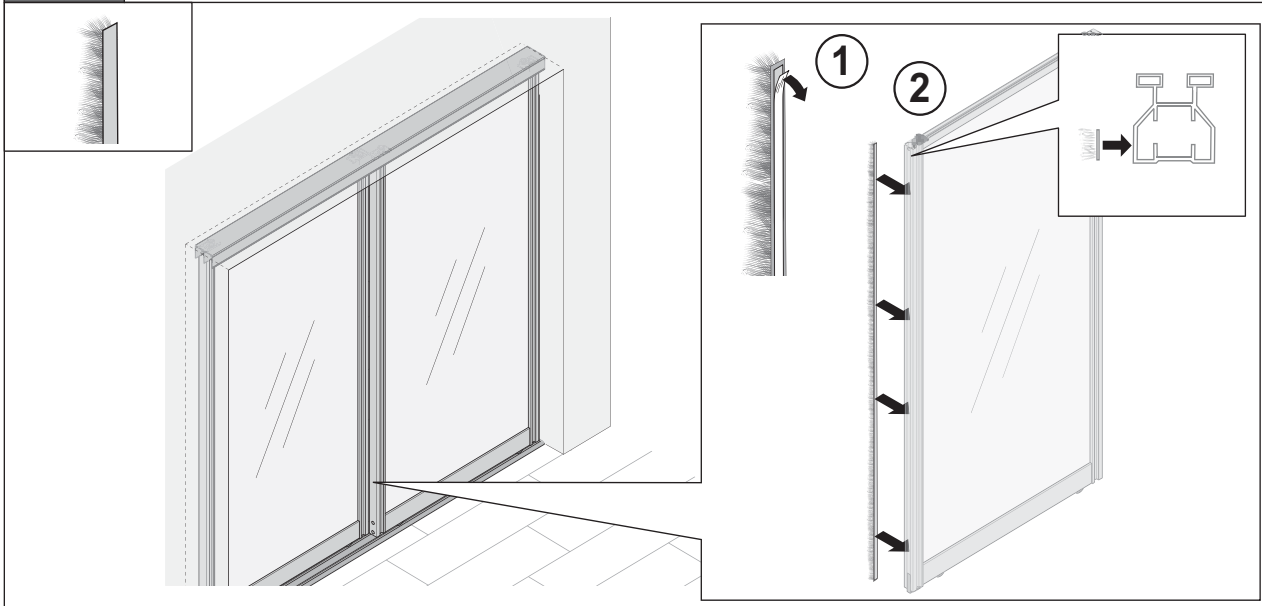


Silent Aluflex Accessories	
Center Door Stopper	A
Wall Compensating Profile	B
Brush Seal	C
Door Follower	D
Fixed Door Panel Components	E
Track Cleaning Brush	F
Soft Closer	G
Decorative Mullion	H
Mullion	I

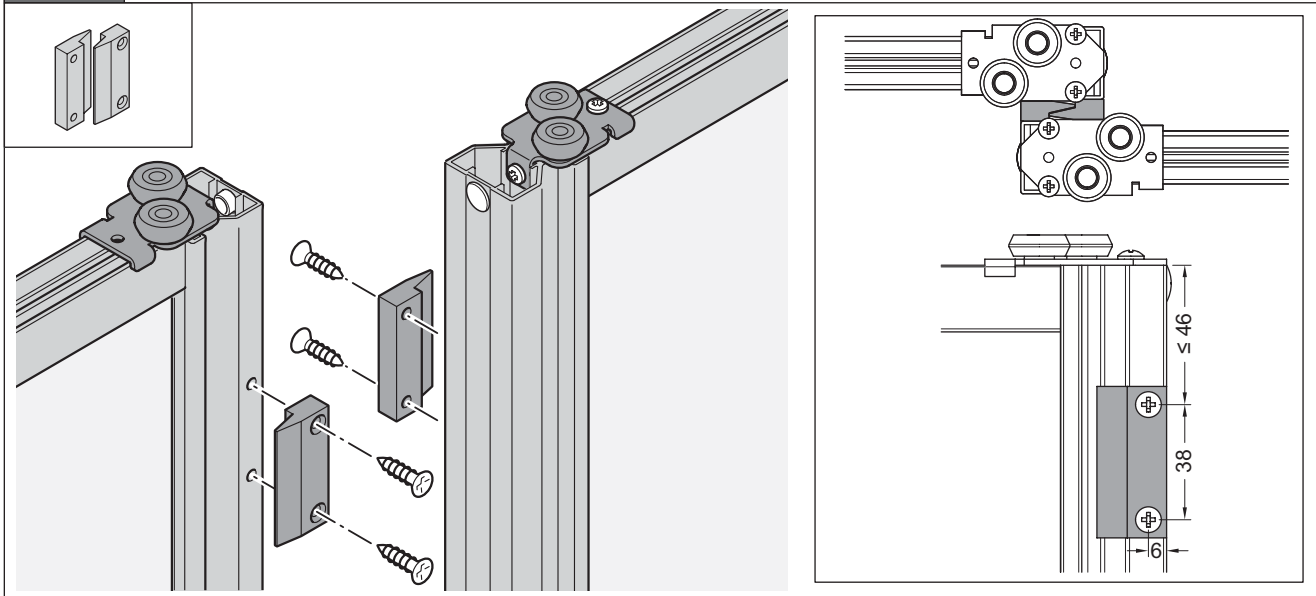


# Silent Aluflex Door Accessories

C

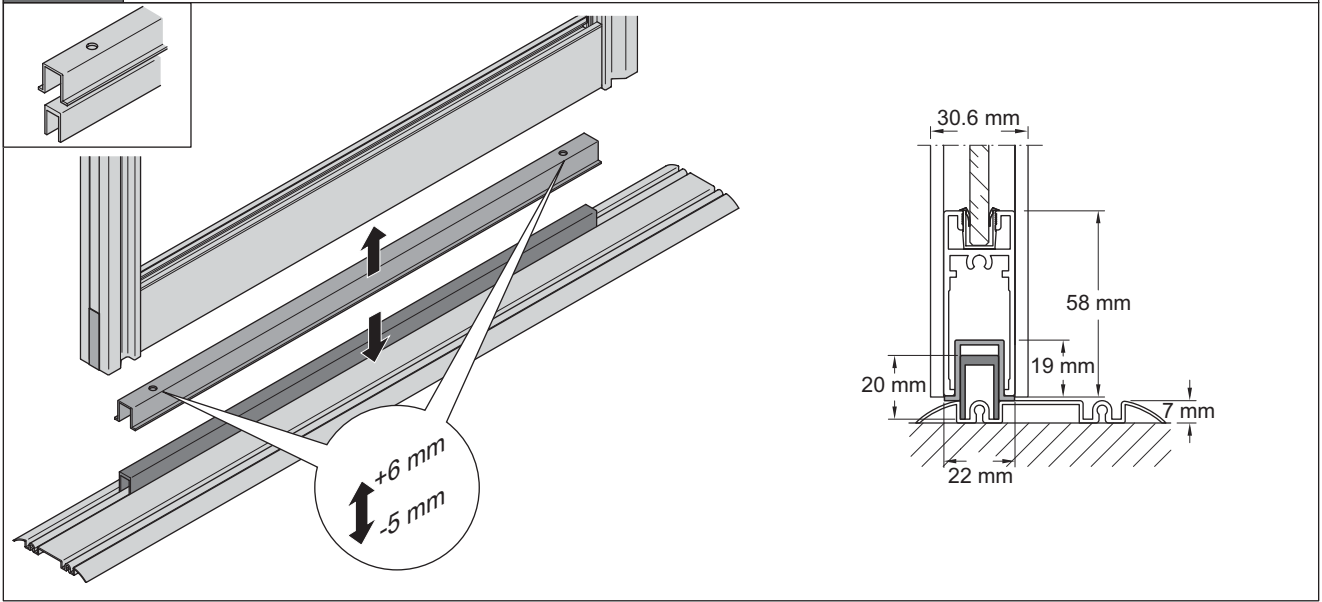


D

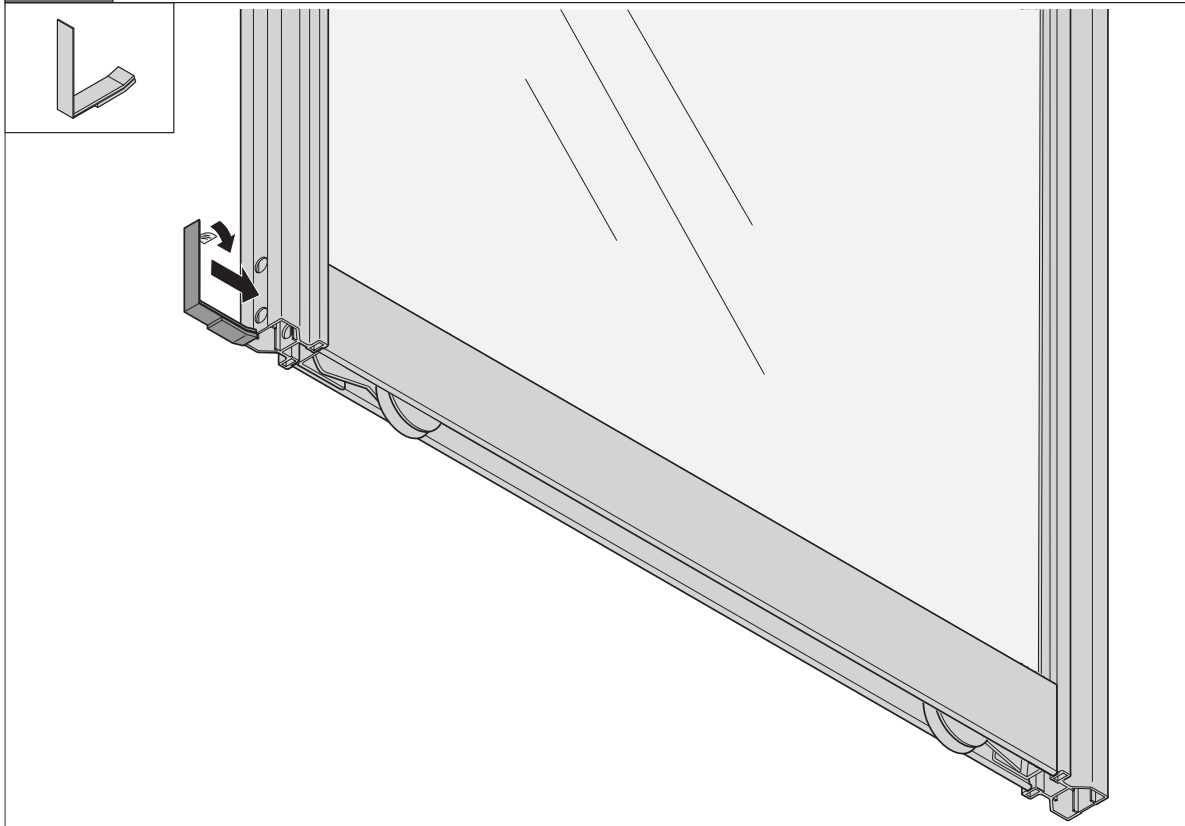


# Silent Aluflex Door Accessories

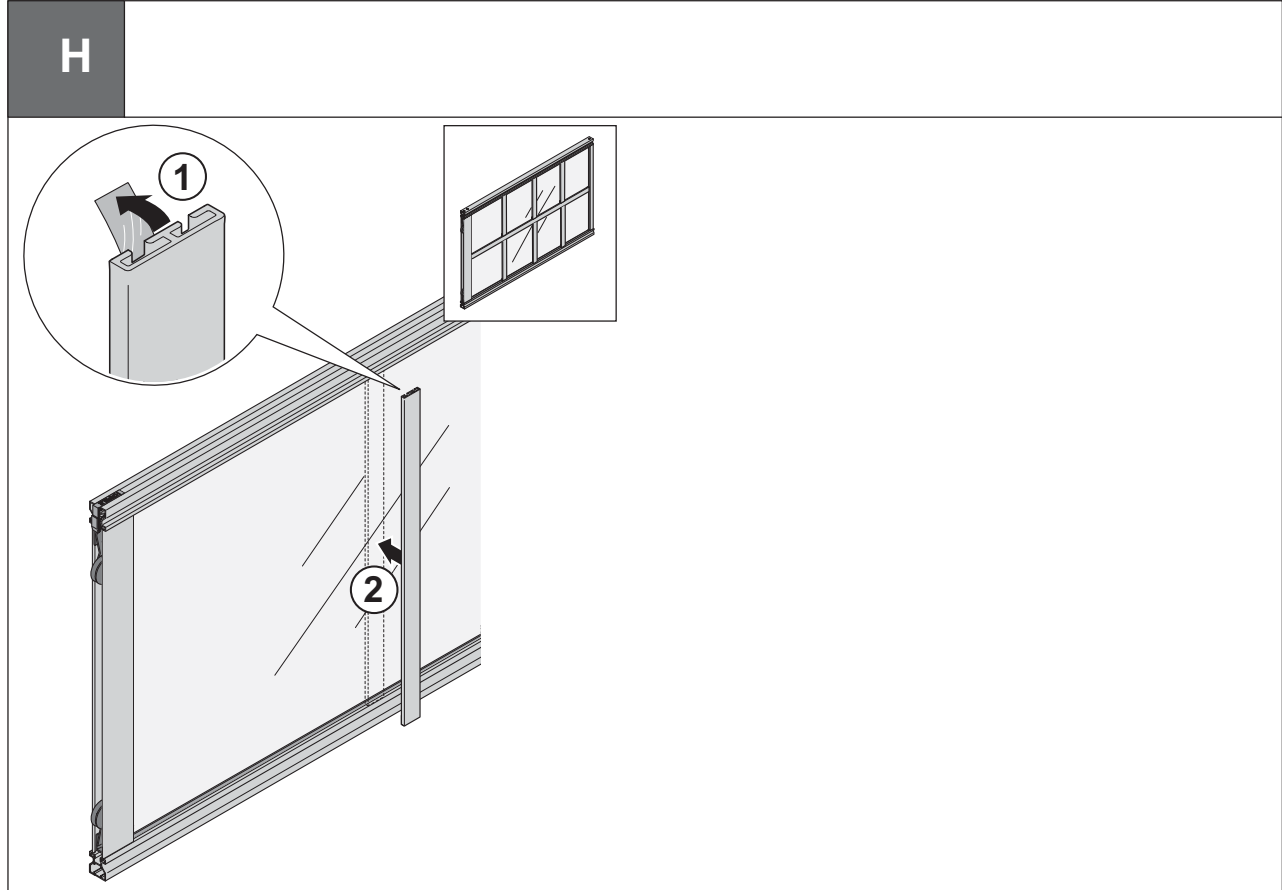
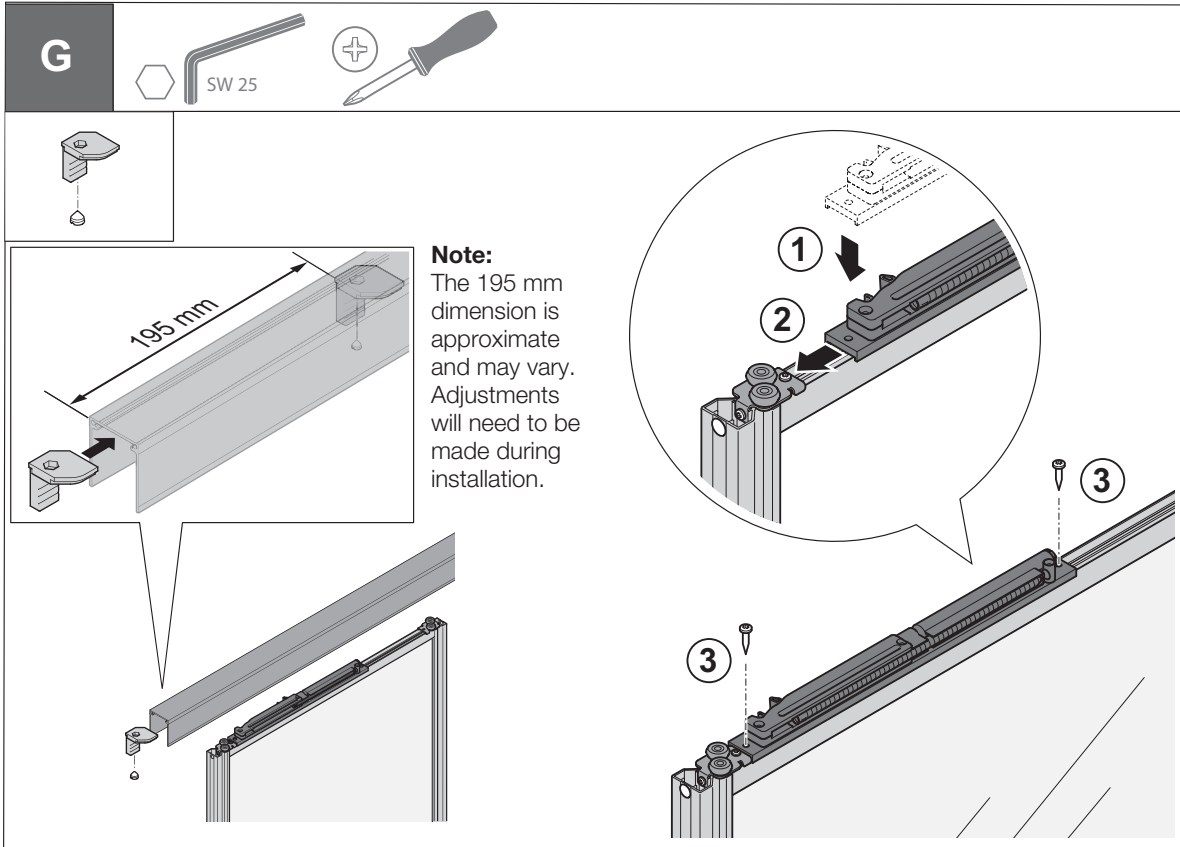
E



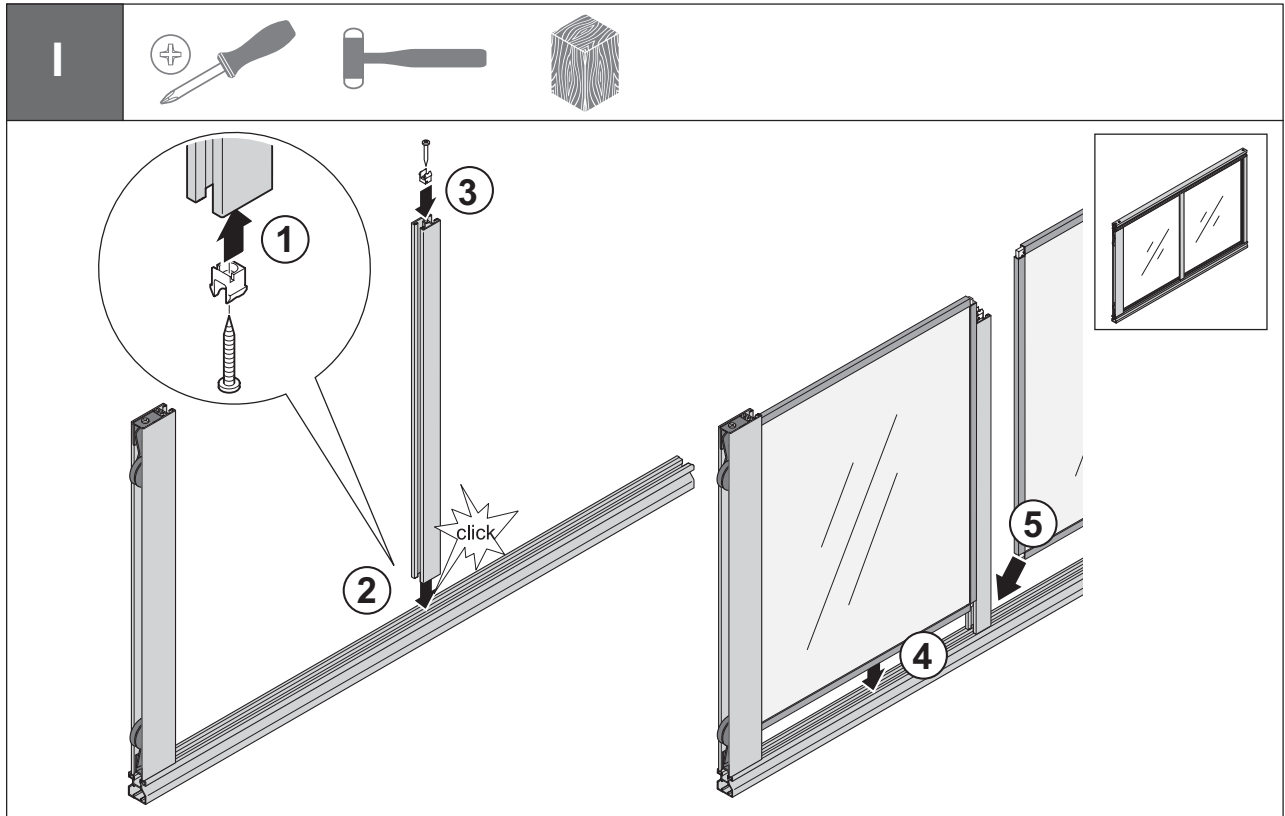
F



# Silent Aluflex Door Accessories



# Silent Aluflex Door Accessories



**HÄFELE**

3901 Cheyenne Drive • P.O. Box 4000 • Archdale, NC 27263  
1-800-423-3531 • [www.hafele.com](http://www.hafele.com)