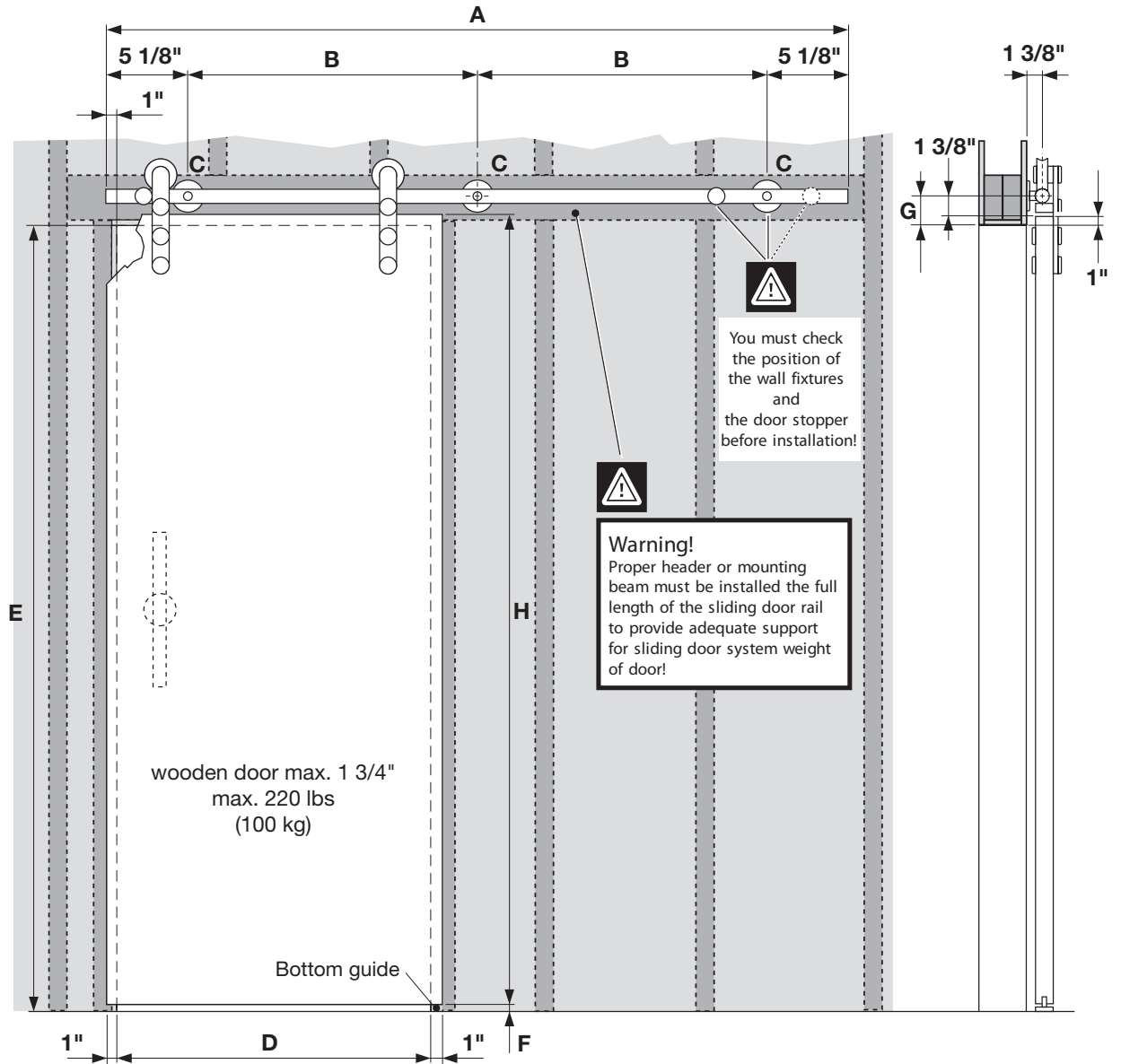


## Sliding Door Fittings **Flatec I** Planning

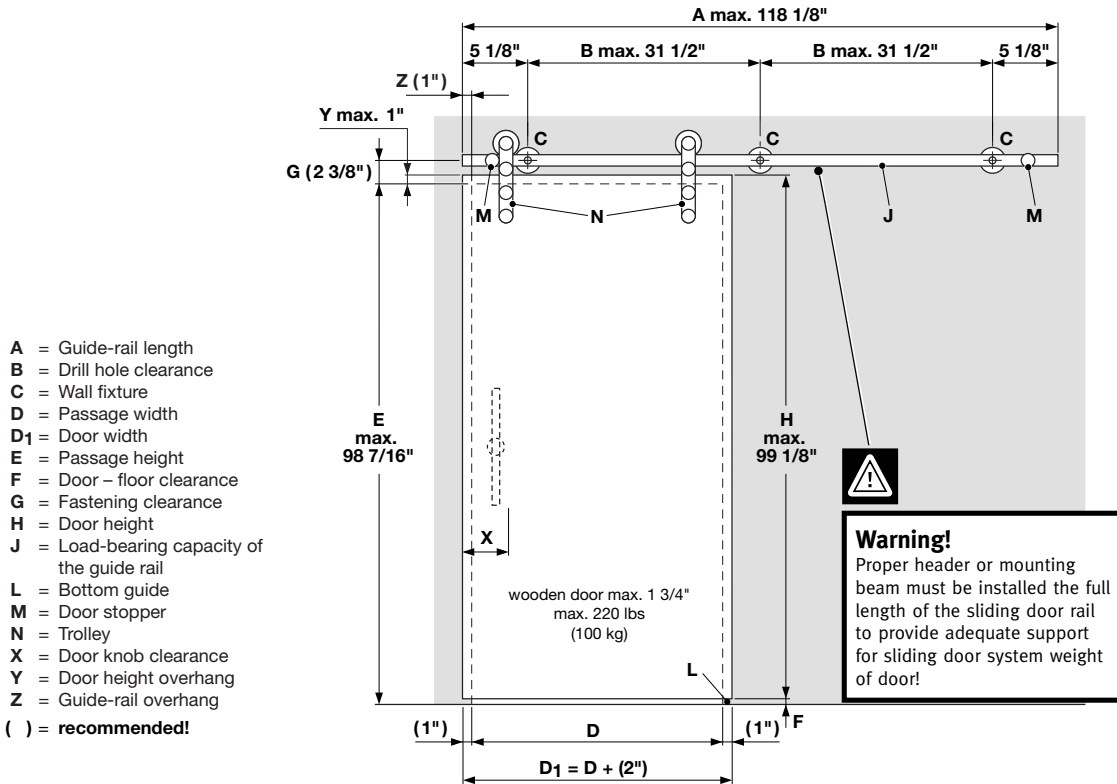
for wood doors (max. 1 3/4" thickness)



### Complete-sets

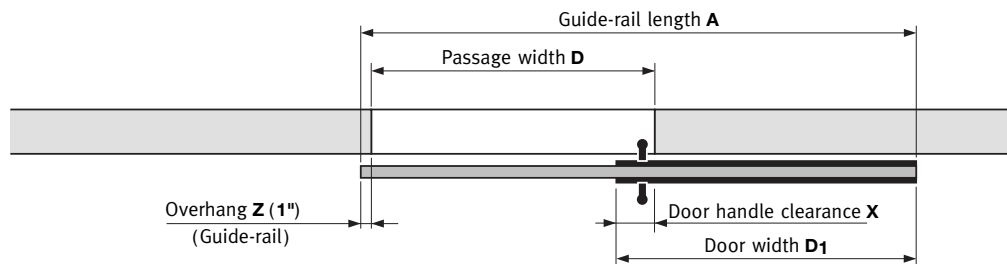
Set Flatec I Art. No.	A inch	B inch	C Each	D inch	E max. inch	F inch	G inch	H max. inch (H = E - F + 1")
941.07.005	70 7/8"	30 5/16"	3	29 1/2" - 35 7/16"	98 7/16"	1/4" - 3/8"	2 3/8"	99 1/8"
941.07.006	82 11/16"	24 1/8"	4	35 13/16" - 39 3/8"	98 7/16"	1/4" - 3/8"	2 3/8"	99 1/8"
941.07.007	90 9/16"	26 3/4"	4	39 3/4" - 44 1/16"	98 7/16"	1/4" - 3/8"	2 3/8"	99 1/8"
941.07.008	100"	29 15/16"	4	44 1/2" - 49 3/16"	98 7/16"	1/4" - 3/8"	2 3/8"	99 1/8"

Manufacturing dimensions (special model)										kg				
inches		Each	inches							H	Load-bearing capacity of the guide rail	Each		
A	B	C	D	D1	E max. 98 7/16"	F 1/4" - 3/8"	G	H max. 99 1/8" (H = E - F + Y)	J	L	M	N		
							(2 3/8")			1	2	2		



- A = Guide-rail length
  - B = Drill hole clearance
  - C = Wall fixture
  - D = Passage width
  - D1 = Door width
  - E = Passage height
  - F = Door - floor clearance
  - G = Fastening clearance
  - H = Door height
  - J = Load-bearing capacity of the guide rail
  - L = Bottom guide
  - M = Door stopper
  - N = Trolley
  - X = Door knob clearance
  - Y = Door height overhang
  - Z = Guide-rail overhang
- ( ) = recommended!

### Calculation for guide-rail length A

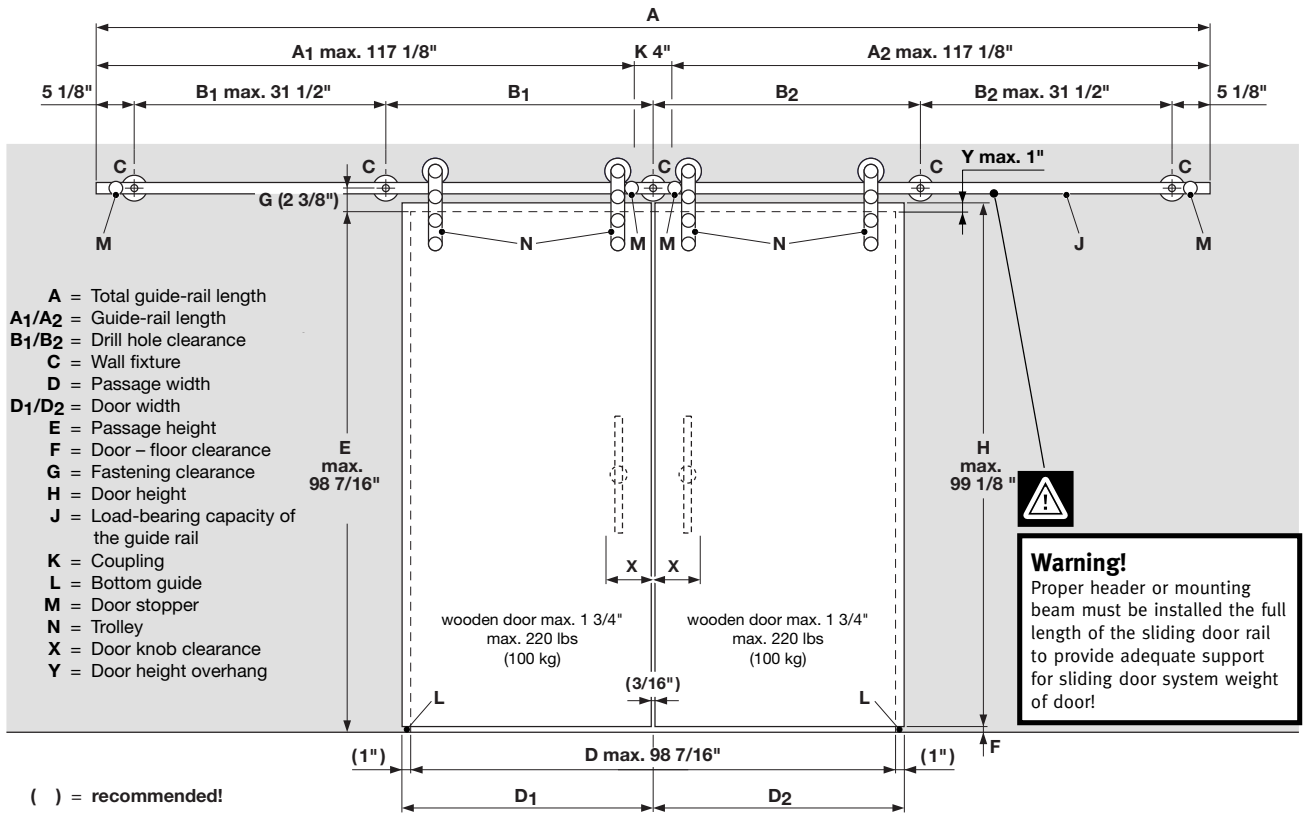


$$\text{Overhang Z} + \text{Passage width D} + \text{Door width D1} - \text{Door handle clearance X} = \text{Guide-rail length A}$$

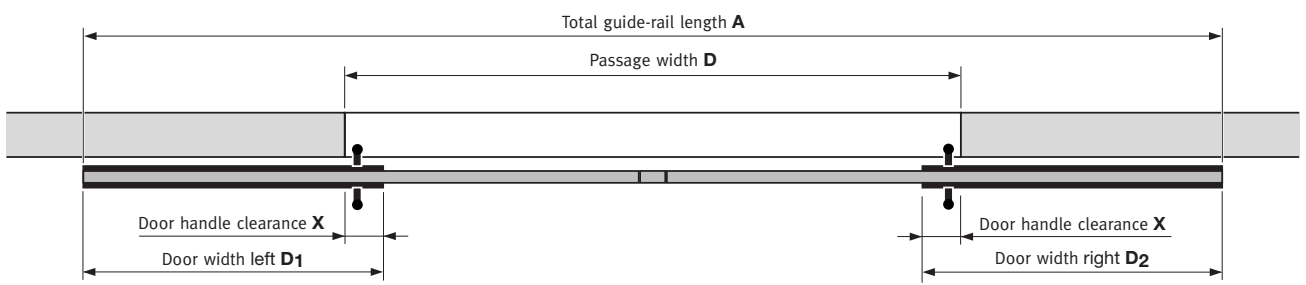


Make door handle clearance so that fingers do not get pinched when the door is manipulated! See page 5.

Manufacturing dimensions (special model)															
inches		Each		inches		H		kg		Each					
A	B1	B2	C	D	D1	D2	E max. 98 7/16"	F 1/4" - 3/8"	G	H max. 99 1/8" (H = E - F + Y)	Load-bearing capacity of the guide rail J	K	L	M	N
									(2 3/8")			1	2	4	4



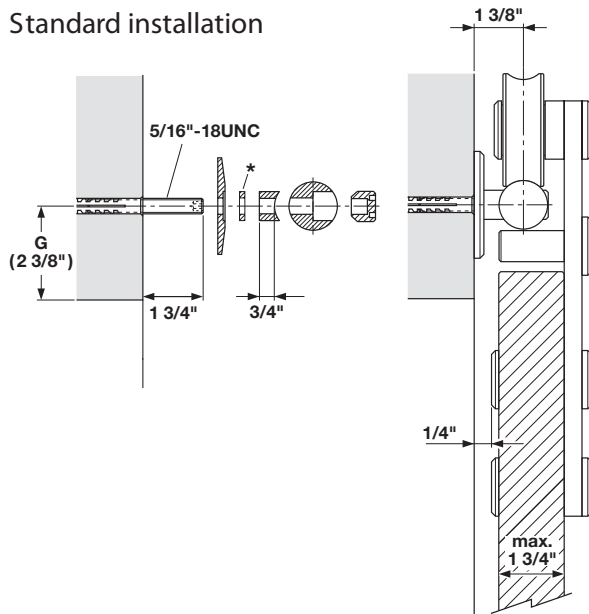
### Calculation for total guide-rail length A



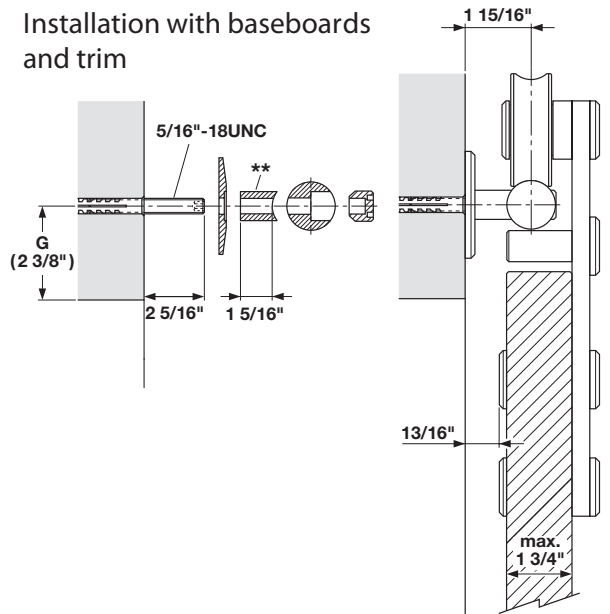
**Door width D1 – Door handle clearance X + Passage width D + Door width D2 – Door handle clearance X = Total guide-rail length A**

Make door handle clearance so that fingers do not get pinched when the door is manipulated! See page 5.


Standard installation



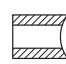
Installation with baseboards and trim

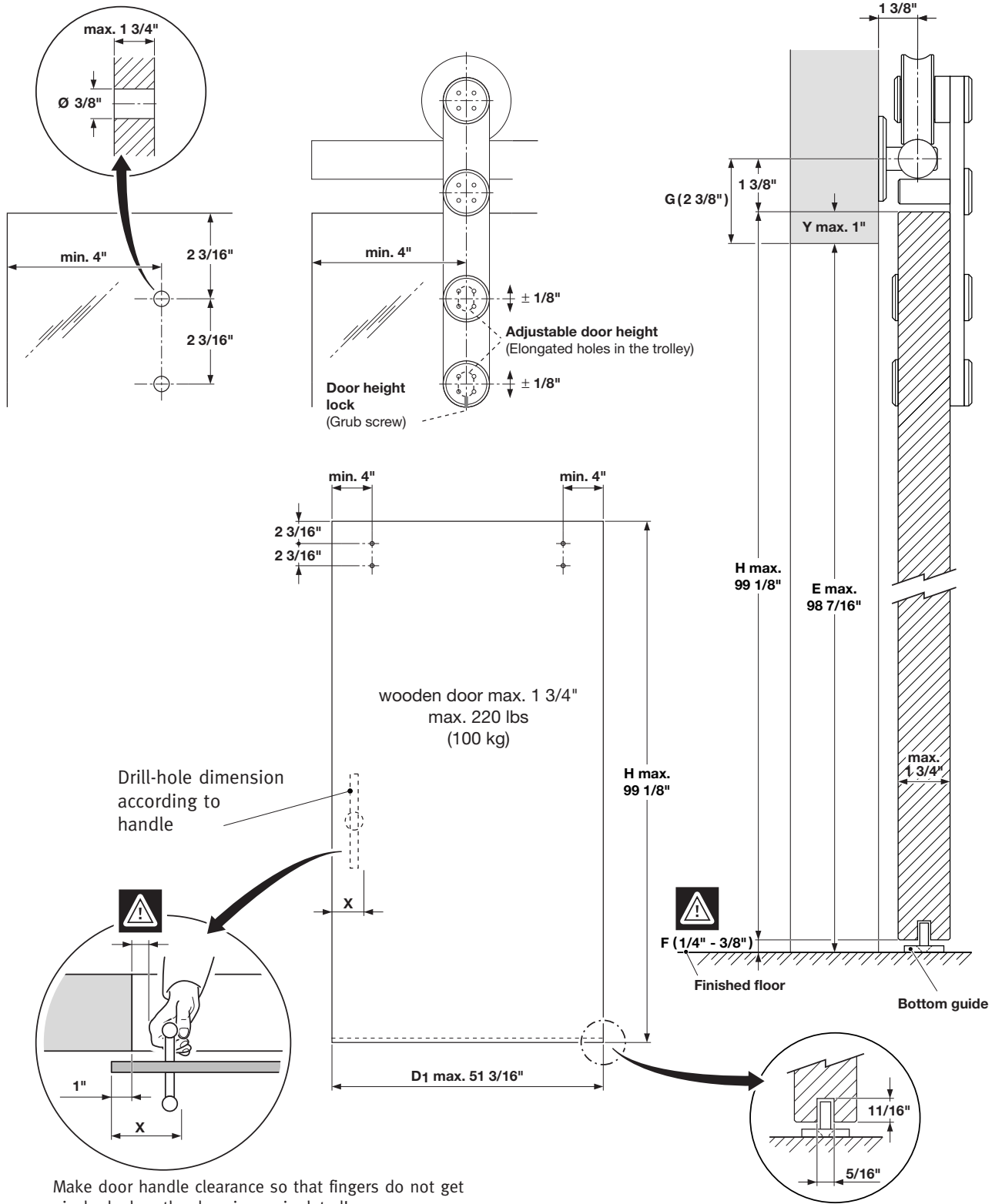


\* Compensation disks 1/16", 3/16" and 3/8"  
 To compensate for wall unevenness,  
 order separately.  
 ( Only 1 piece per wall fixture! )

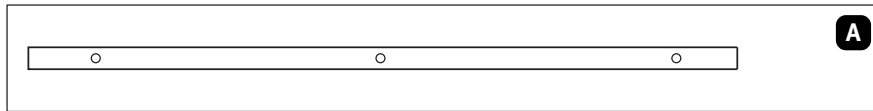
	Art.-No.	inches
	941.07.105	1/16"
	941.07.106	3/16"
	941.07.107	3/8"

\*\* Spacers order separately.

	Art.-No.
	941.07.104

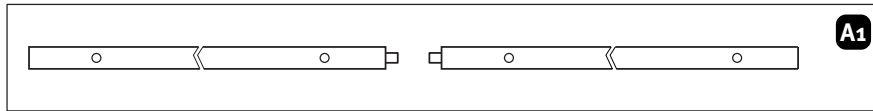


Make door handle clearance so that fingers do not get pinched when the door is manipulated!



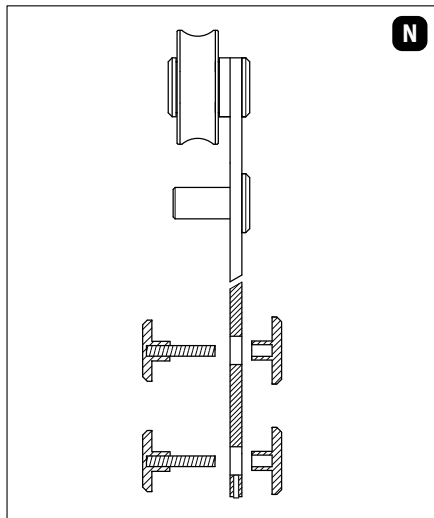
**A**

Guide rail Ø 1" inch



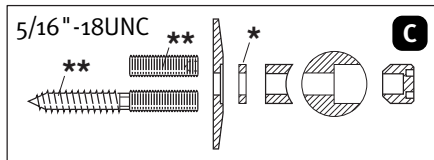
**A1**

Guide rail Ø 1" inch  
for guide rail couplings



**N**

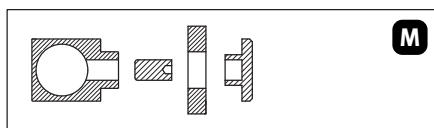
Trolley complete



**C**

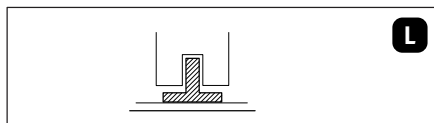
Wall fixtures complete

\*\*Without screws and dowels, at construction site  
\*Compensation disks 1/16", 3/16" and 3/8" order separately



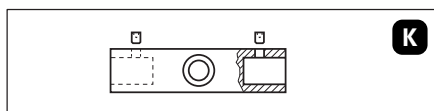
**M**

Door stoppers complete, stainless steel



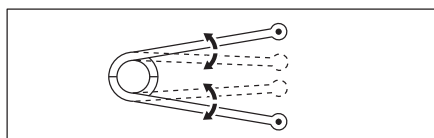
**L**

Bottom guide, plastic  
( Without screws and dowels, at construction site )



**K**

Guide rail coupling Ø 1" inch



Special tool

**HÄFELE**