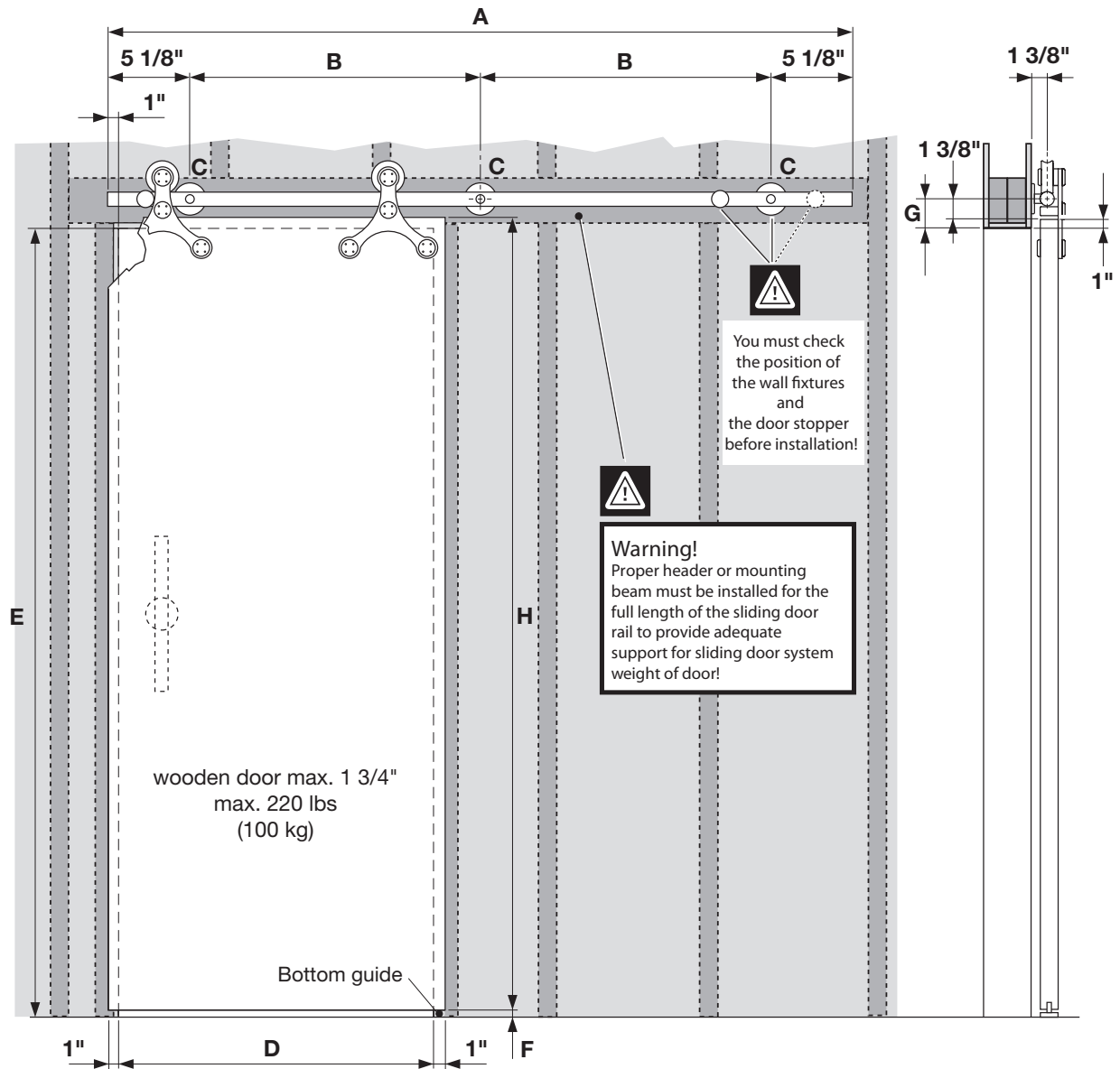


Sliding Door Fittings **Tritec** Planning

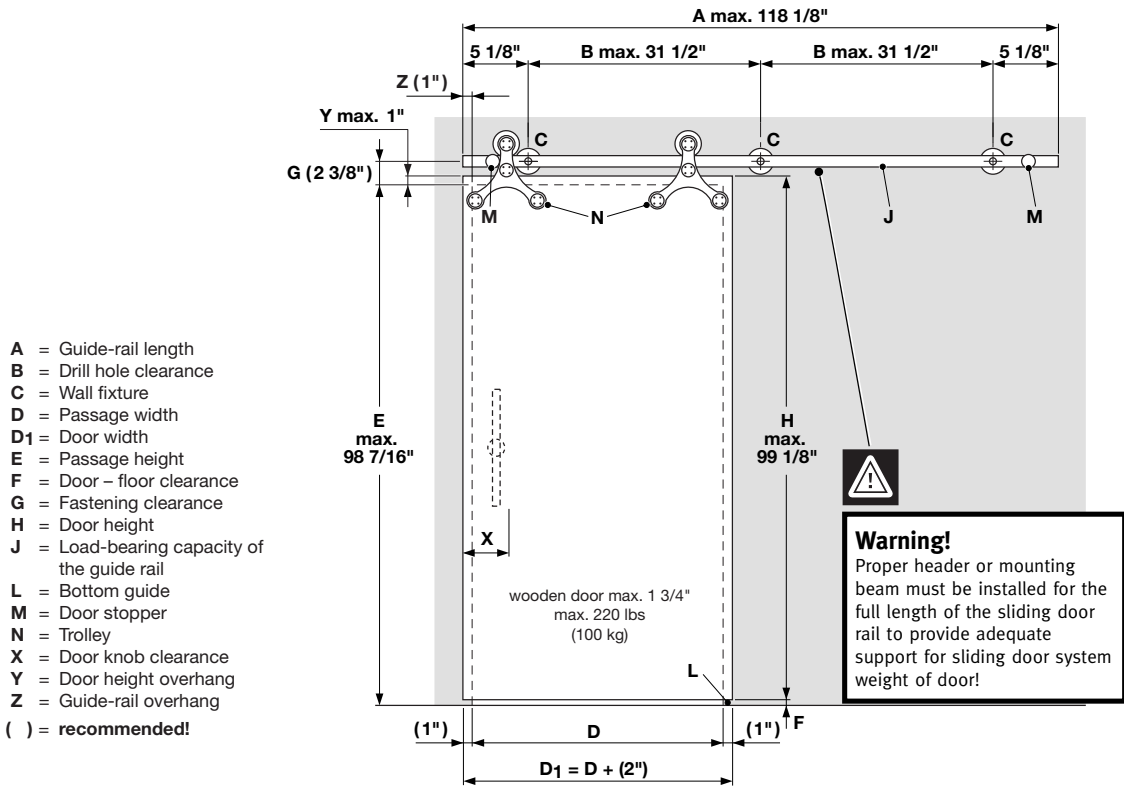
for wood doors (max. 1 3/4" thickness)



Complete-sets

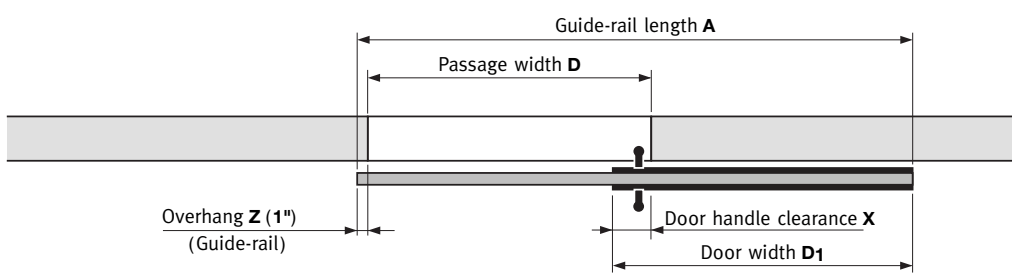
Set Tritec Art. No.	A inch	B inch	C Each	D inch	E max. inch	F inch	G inch	H max. inch (H = E - F + 1")
941.07.045	70 7/8"	30 5/16"	3	29 1/2" - 35 7/16"	98 7/16"	1/4" - 3/8"	2 3/8"	99 1/8"
941.07.046	82 11/16"	24 1/8"	4	35 13/16" - 39 3/8"	98 7/16"	1/4" - 3/8"	2 3/8"	99 1/8"
941.07.047	90 9/16"	26 3/4"	4	39 3/4" - 44 1/16"	98 7/16"	1/4" - 3/8"	2 3/8"	99 1/8"
941.07.048	100"	29 15/16"	4	44 1/2" - 49 3/16"	98 7/16"	1/4" - 3/8"	2 3/8"	99 1/8"

Manufacturing dimensions (special model)										kg				
inches		Each		inches					H		Load-bearing capacity of the guide rail J	Each		
A	B	C	D	D1	E max. 98 7/16"	F 1/4" - 3/8"	G	max. 99 1/8" (H = E - F + Y)		L		M	N	
							(2 3/8")				1	2	2	



- A = Guide-rail length
 - B = Drill hole clearance
 - C = Wall fixture
 - D = Passage width
 - D1 = Door width
 - E = Passage height
 - F = Door - floor clearance
 - G = Fastening clearance
 - H = Door height
 - J = Load-bearing capacity of the guide rail
 - L = Bottom guide
 - M = Door stopper
 - N = Trolley
 - X = Door knob clearance
 - Y = Door height overhang
 - Z = Guide-rail overhang
- () = recommended!

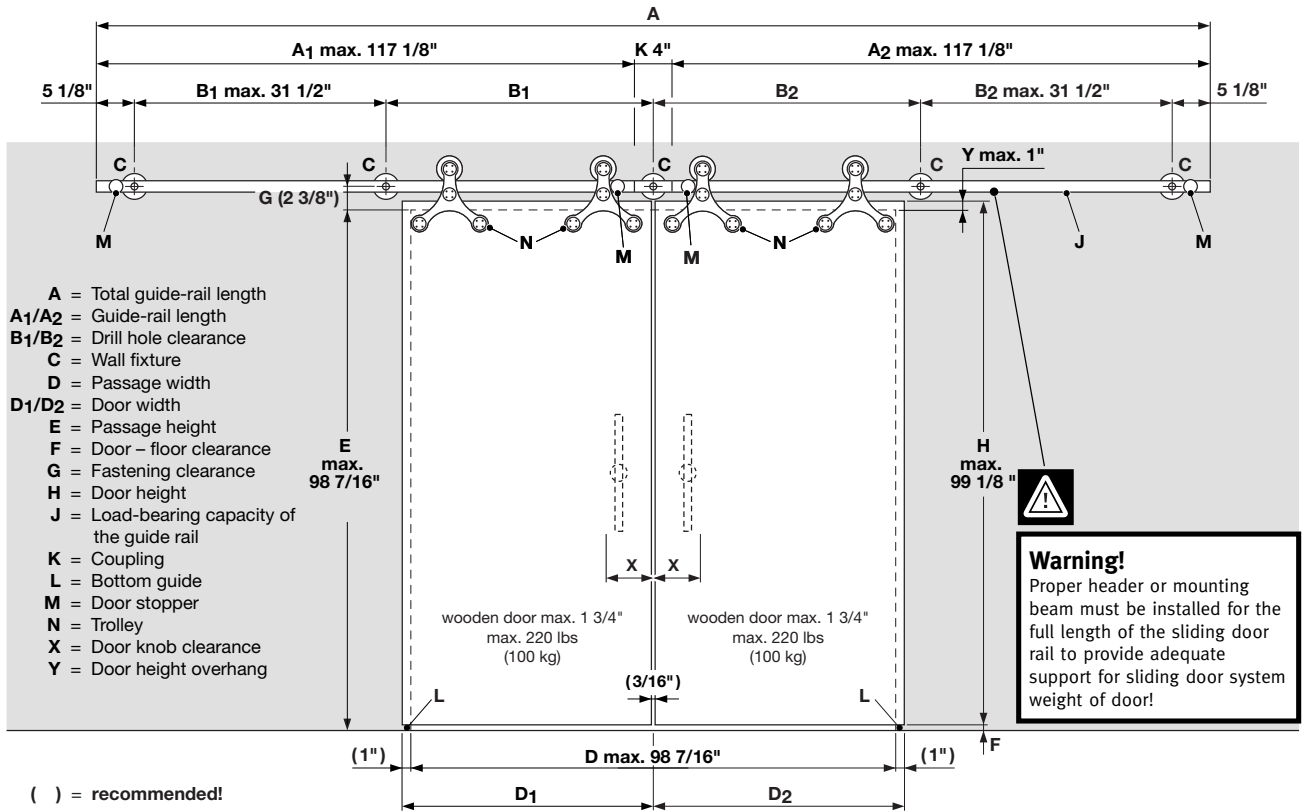
Calculation for guide-rail length A for 1 door



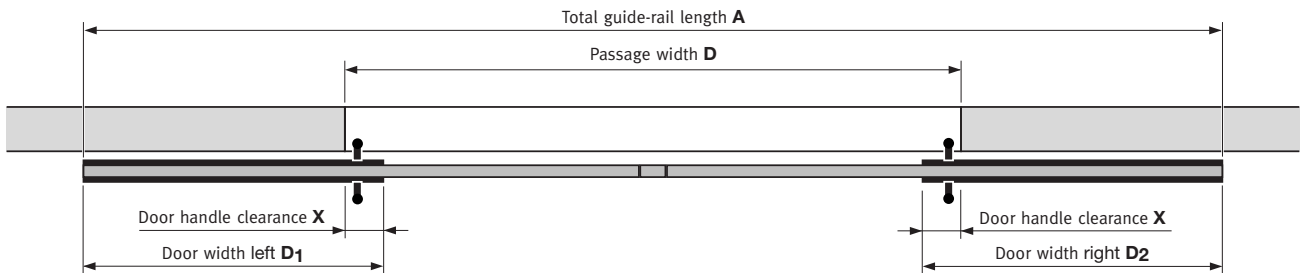
Overhang Z + Passage width D + Door width D1 - Door handle clearance X = Guide-rail length A

Make door handle clearance so that fingers do not get pinched when the door is manipulated! See page 5.

Manufacturing dimensions (special model)															
inches		Each		inches		H		kg		Each					
A	B1	B2	C	D	D1	D2	E max. 98 7/16"	F 1/4" - 3/8"	G	H max. 99 1/8" (H = E - F + Y)	Load-bearing capacity of the guide rail J	K	L	M	N
									(2 3/8")			1	2	4	4



Calculation for total guide-rail length A for 2 doors

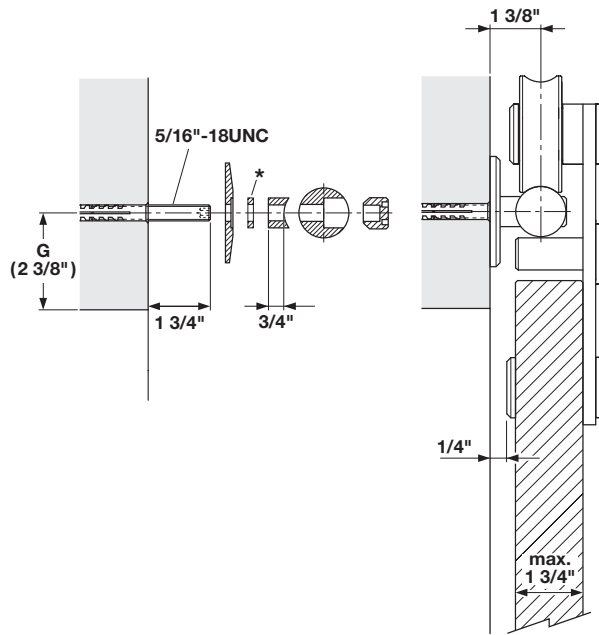


Door width D_1 - Door handle clearance X + Passage width D + Door width D_2 - Door handle clearance X = Total guide-rail length A

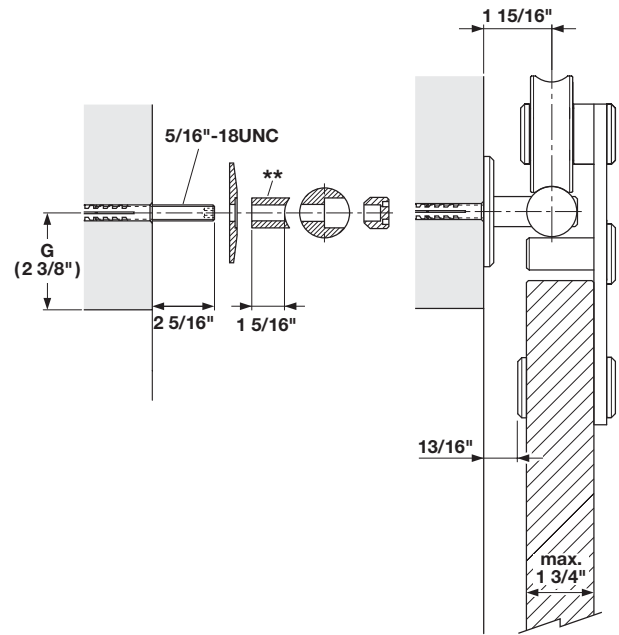


Make door handle clearance so that fingers do not get pinched when the door is manipulated! See page 5.


Standard installation



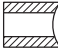
Installation with baseboards and trim

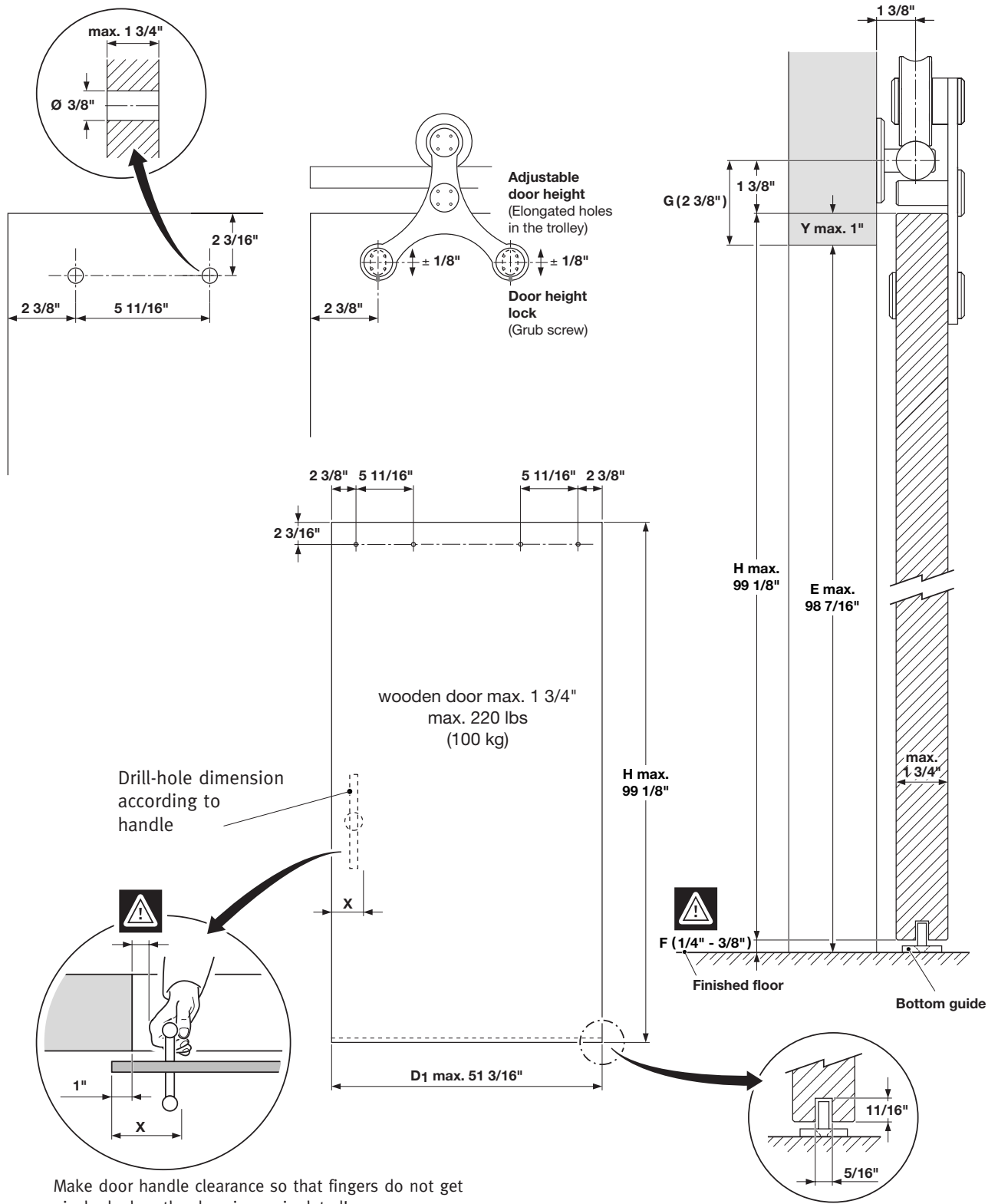


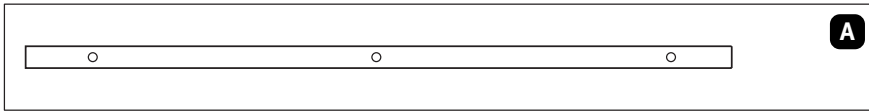
* Compensation disks 1/16", 3/16" and 3/8"
 To compensate for wall unevenness,
 order separately.
 (Only 1 piece per wall fixture!)

	Art.-No.	inches
	941.07.105	1/16"
	941.07.106	3/16"
	941.07.107	3/8"

** Spacers order separately.

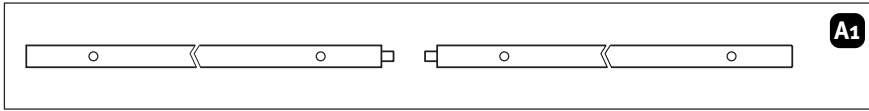
	Art.-No.
	941.07.104





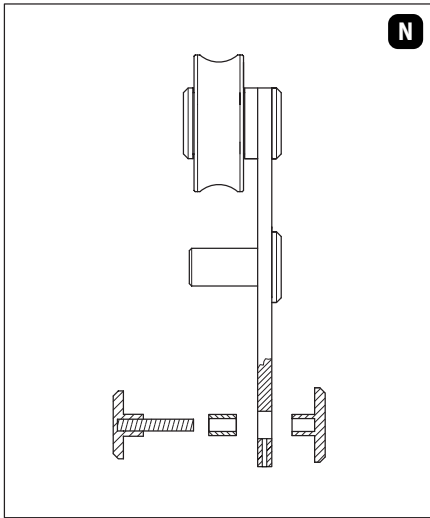
A

Guide rail Ø 1" inch



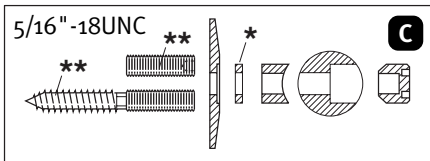
A1

Guide rail Ø 1" inch
for guide rail couplings



N

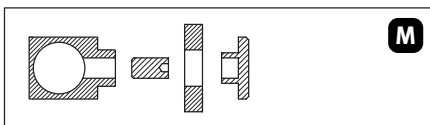
Trolley complete



C

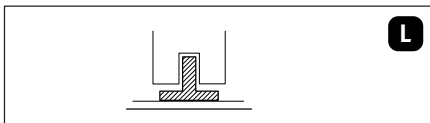
Wall fixtures complete

** Without screws and dowels, at construction site
* Compensation disks 1/16", 3/16" and 3/8" order separately



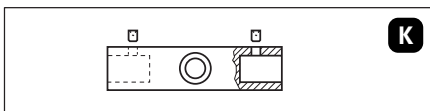
M

Door stoppers complete, stainless steel



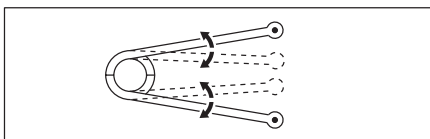
L

Bottom guide, plastic
(Without screws and dowels, at construction site)



K

Guide rail coupling Ø 1" inch



Special tool

HÄFELE

3901 Cheyenne Drive • P.O. Box 4000 • Archdale, NC 27263
1-800-423-3531 • www.hafele.com