

# MOUNTING TEMPLATE FOR 20", 23" & 27" 7090 SERIES SHORT DUET ARMS

1. Assemble the left and right hand arms with the cross tube provided using the washers and lock nuts. Assemble nut covers over lock nuts.
2. When the arm is assembled, ensure that the mounting brackets are level. This is best done by placing the unit on the floor and adjusting the paddle and knobs until all four brackets are flat on the floor. Release paddle and tighten knobs to lock in this position.
3. Cut the template along the indicated lines and align front edge line of the work surface with the indicated line and back edge of the work surface with the indicated line and level in desired position.
4. Drill 1/16" diameter, by 5/8" deep pilot holes at the Keyboard locations for the required size. Assemble 2 screws in the Easy Mount Keyboard locations, do not tighten all the way down. Mount the Duet Arm on the Easy Mount screws. Pre-drill remaining screw locations and secure with remaining screws.
5. Align back edge line of adjustable work surface template with the back underside edge of the adjustable work surface, and tape in position.
6. Drill 1/16" diameter by 5/8" deep pilot holes at the 6 locations indicated by the cross hairs for the required size. Mount the work surface with the six larger screws.
7. Align the height adjustment actuator approximately 1" from the front underside edge of the work surface (suggested location is within 10" of the fronter indicated).

**TOOLS REQUIRED:**

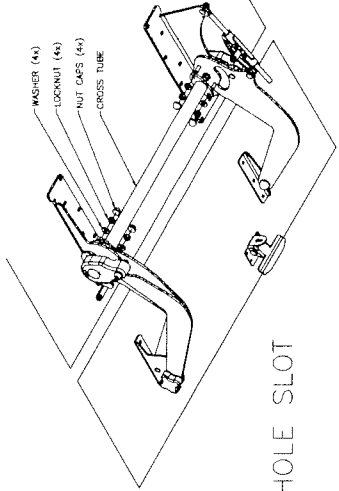
- Drill
- 1/16" Drill bit.
- Phillips Screwdriver

**CAUTIONS:**

- Protect your eyes...wear safety goggles when installing this Duet Arm.
- This unit is not meant to be sat upon.

**THIS PRODUCT IS PROTECTED BY ONE OR MORE OF THE FOLLOWING PATENTS:**

6,728,166; 6,936,044; 6,460,816 and Other Patents Pending



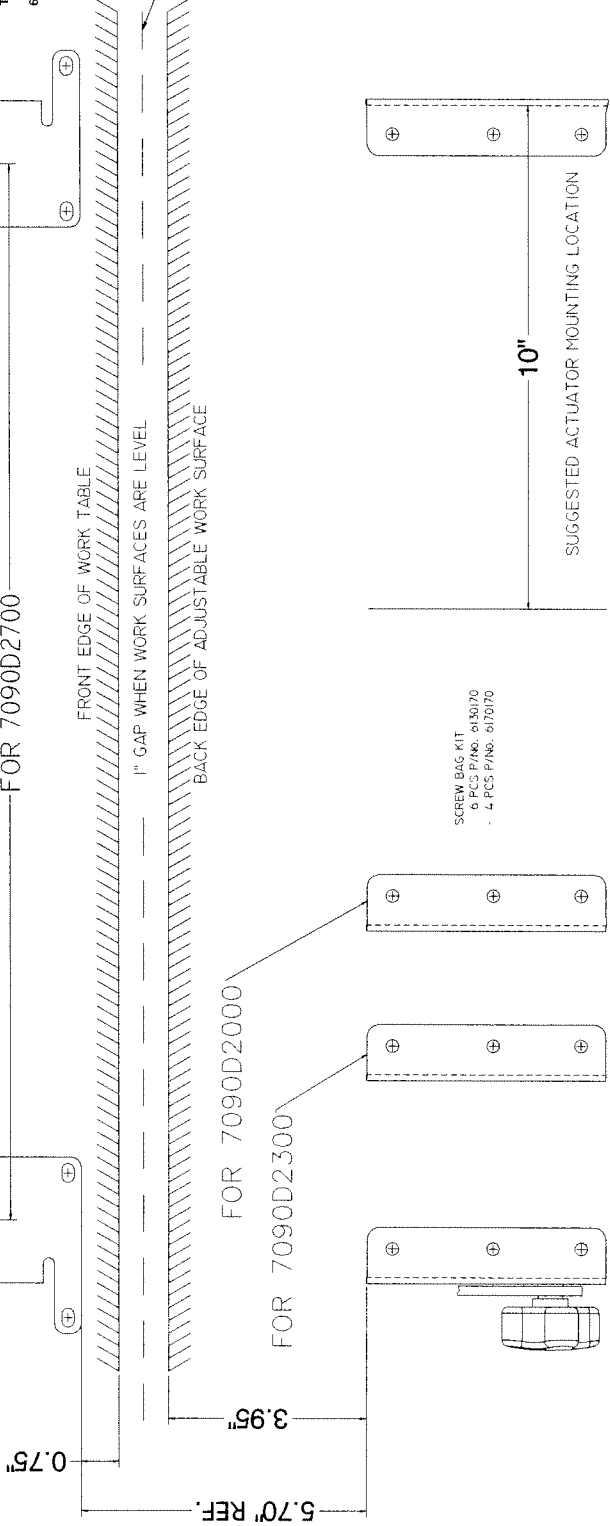
- HARDWARE BAG KIT**
- 16 PCS P/NO. 6130170 - SCREW
  - 4 PCS P/NO. 6130172 - WASHER
  - 4 PCS P/NO. 3120171 - LOCK NUT
  - 4 PCS P/NO. 7080270C - NUT CAP

EASY MOUNT KEYHOLE SLOT

FOR 7090D2300

FOR 7090D2000

FOR 7090D2700



- SCREW BAG KIT**
- 6 PCS P/NO. 6130170
  - 4 PCS P/NO. 6170170

CUT TEMPLATE HERE.

# MOUNTING TEMPLATE FOR 20", 23" & 27" 7080 SERIES DUET ARMS

1. Assemble the left and right hand arms with the cross tube provided using the washers and lock nuts. Assemble nut covers over lock nuts.
2. When the arm is assembled, ensure that the mounting brackets are level. This is best done by placing the unit on the floor and adjusting the paddle and knobs until all four brackets are flat on the floor. Release paddle and tighten knobs to lock in this position.
3. Cut the template along the indicated lines and align front edge line of the worktable mounting template with front edge of the underside of the work table, and tape it down.
4. Mark the locations for the Easy Mount Keyhole locations for the required size. Assemble 2 screws in the Easy Mount Keyhole locations, do not tighten all the way down! Mount the Duet Arm on the Easy Mount screws. Pre-drill remaining screw locations and secure with remaining screws.
5. Align back edge line of adjustable work surface template with the back underside edge of the adjustable work surface, and tape in position.
6. Drill 1/16" diameter by 5/8" deep pilot holes at the 6 locations indicated by the cross hairs for the required size. Mount the work surface with the six larger screws.
7. Align the height adjustment actuator approximately 1" from the front underside edge of the work surface (suggested location is within 10" of the bracket indicated). Assemble the height adjust paddle with the four smaller screws.

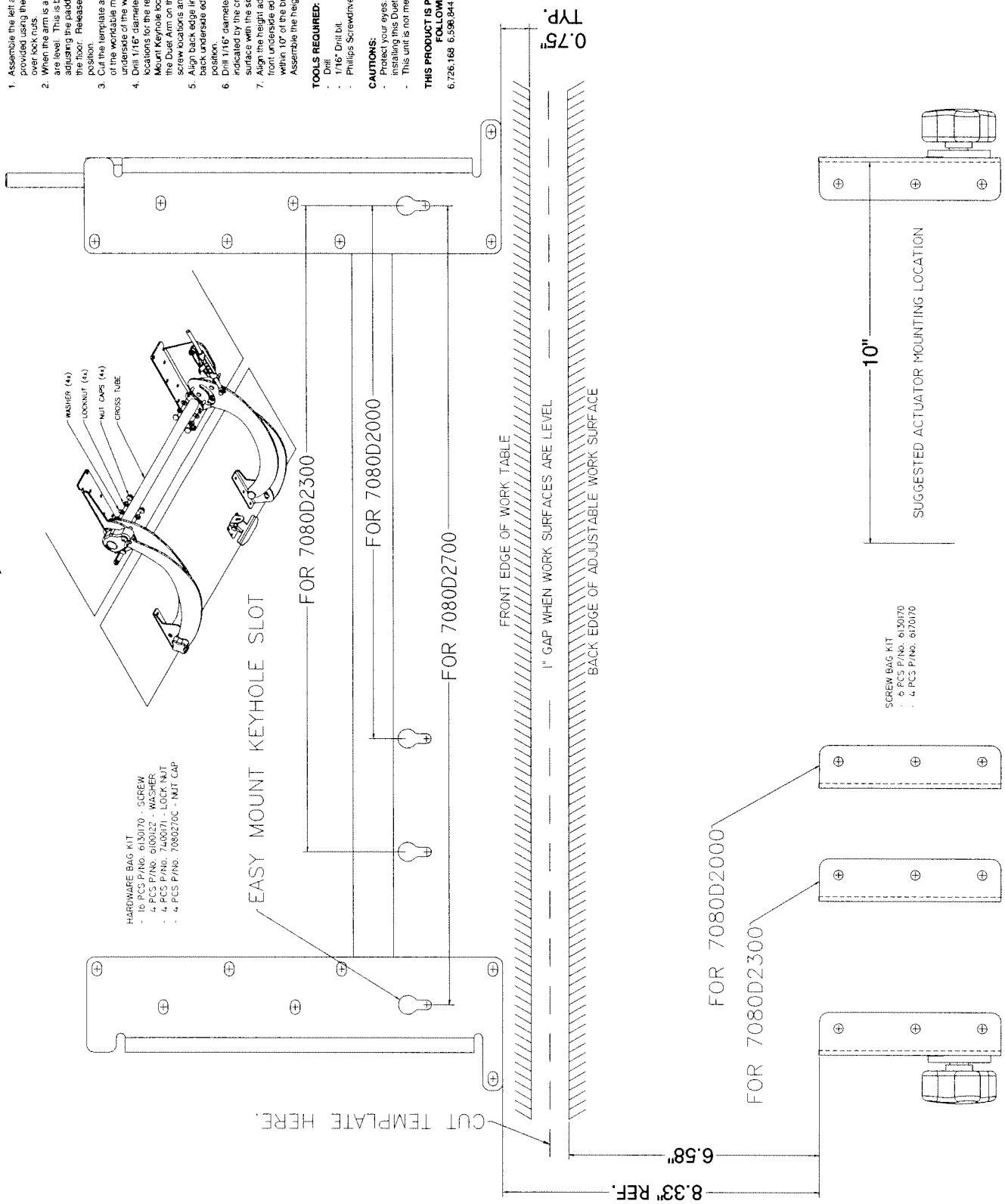
### TOOLS REQUIRED:

- Drill
- 1/16" Drill bit
- Phillips Screwdriver

### CAUTIONS:

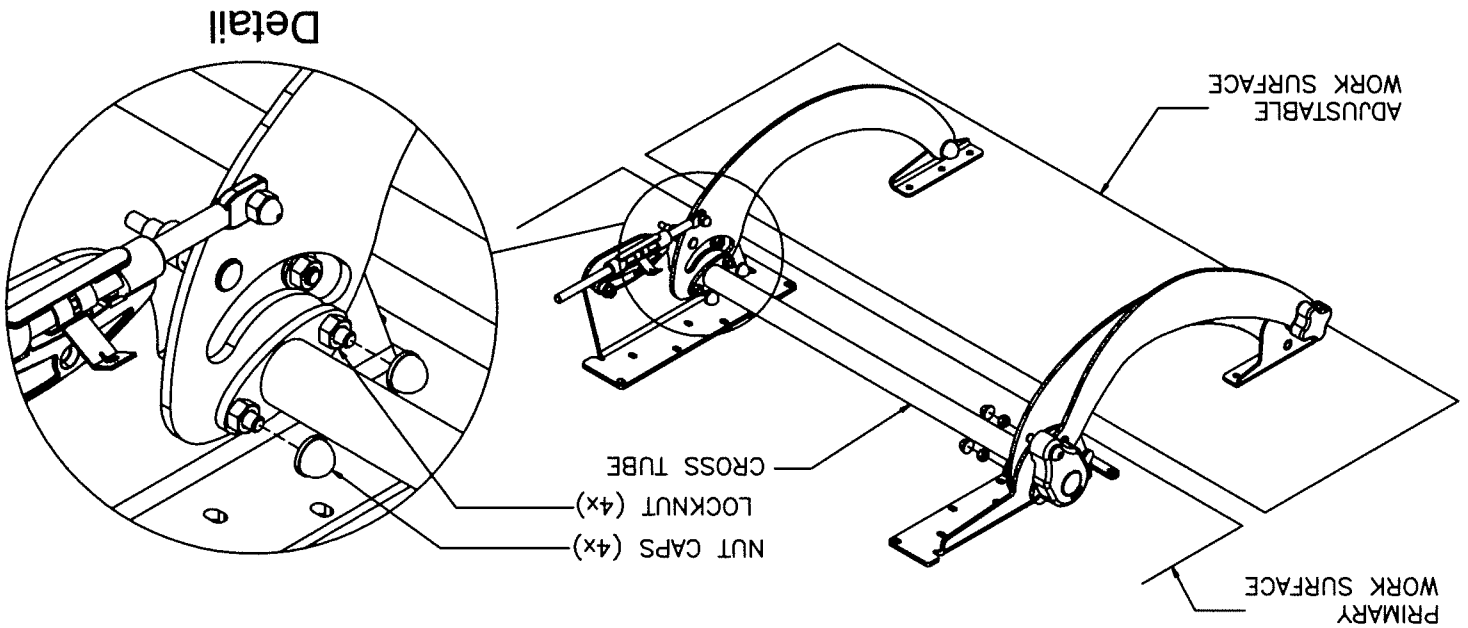
- Protect your eyes...wear safety goggles when installing this Duet Arm.
- This unit is not meant to be sat upon.

**THIS PRODUCT IS PROTECTED BY ONE OR MORE OF THE FOLLOWING U.S. PATENTS:**  
6,726,168 6,536,844 6,460,616 and Other Patents Pending



SCREW BAG KIT  
 - 6 PCS P/NO. 6130170  
 - 4 PCS P/NO. 6170170

# TROUBLESHOOTING GUIDE



If the adjustable work surface is not parallel or level with the primary work surface after assembly, then perform the following steps:

1. Use a flat screwdriver to pry off the Nut Caps from all four Locknuts.
2. Using a 7/16" Wrench, loosen the Locknuts and level the adjustable work surface with the primary work surface.
3. When the surfaces are aligned, tighten all the Locknuts to approximately 170 in-lbs. (19.2 N-m) torque.
4. Re-assemble the Nut Caps over the Locknuts.

## TOOLS REQUIRED:

- Flat Head Screwdriver
- 7/16" Socket or Wrench
- Carpenter's Level
- Torque Wrench

## CAUTIONS:

- Protect your eyes...wear safety goggles during adjustments to this Duet Arm.
- This unit is not meant to be sat upon.