

# PRODUCT GUIDE

## ELITE VALET PIN

**300.3097.CR/MAL/ORB/BS/MNL**

### DESCRIPTION & SPECIFICATIONS

The ELITE Valet Pin provides a convenient location to hang a shirt or jacket. The pin retracts into the partition, keeping it out of the way when not in use. It is designed to hold up to 5lbs, whilst extending 1.75". It is not intended to extend beyond clothing on a closet pole, nor to hold suit bags or heavier garments.

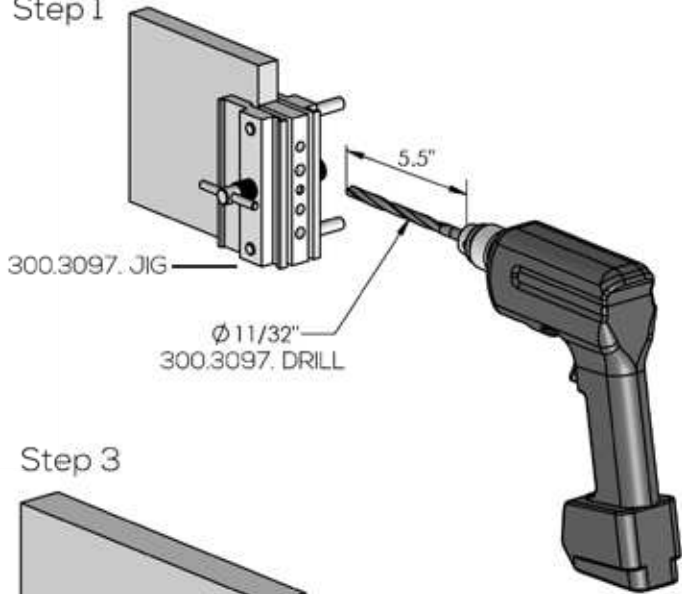
SIZE & CAPACITY | 1.75" Extension

AVAILABLE FINISHES | 

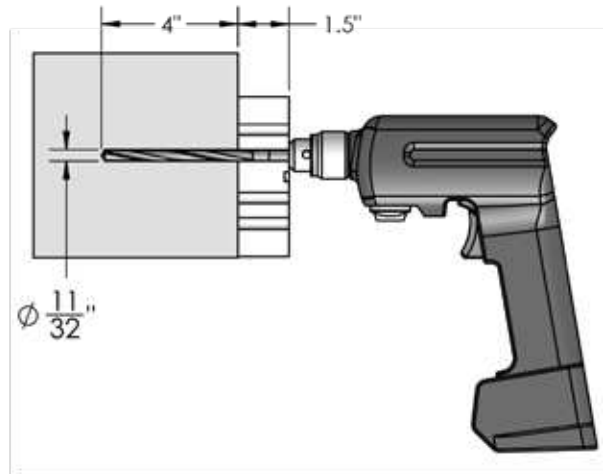
Matte Aluminum, Chrome, Oil Rubbed Bronze, Brass, Matte Nickel



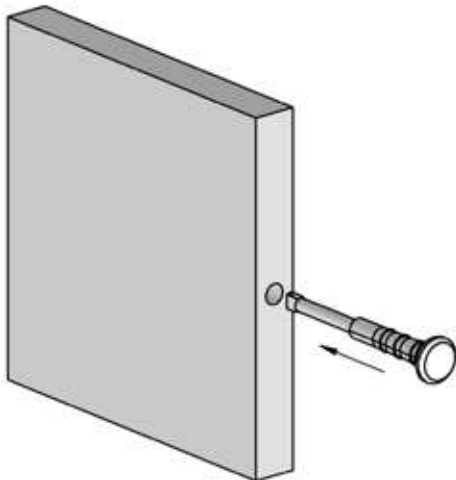
#### Step 1



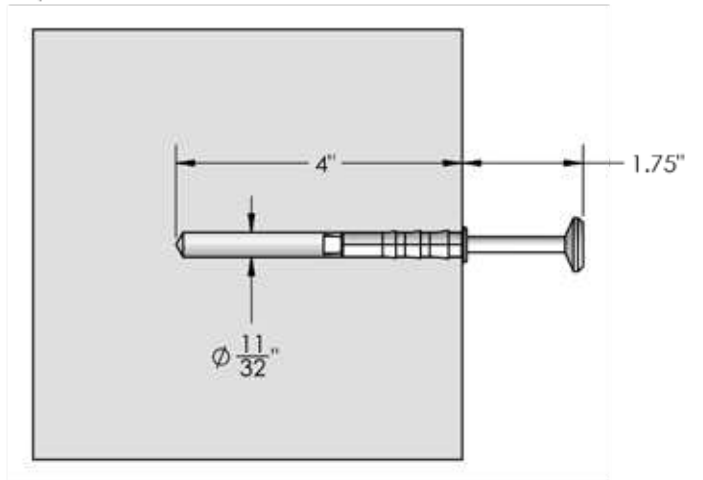
#### Step 2



#### Step 3



#### Step 4



### INSTRUCTIONS & SPECIFICATIONS

- STEP 1: Mount jig (300.3097.JIG) to partition and ensure 5.5" of drill (300.3097.DRILL) exposed.
- STEP 2: Drill to a depth such that drill contacts jig.
- STEP 3: Remove any sawdust from hole and ensure 4" deep.
- STEP 4: Press valet pin into hole using rubber mallet.

300.3097.MAL	MATTE ALUMINUM
300.3097.CR	CHROME
300.3097.ORB	OIL RUBBED BRONZE
300.3097.BS	BRASS
300.3097.MNL	MATTE NICKEL