

FILE HANGER
300.5509.MAL/WH

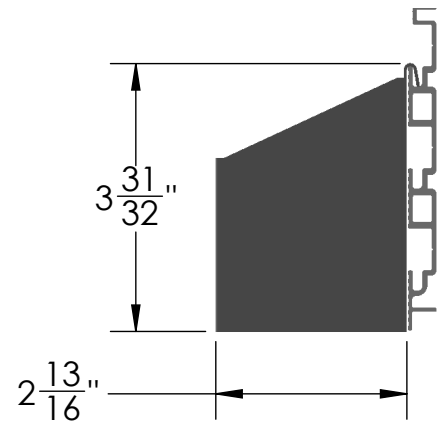
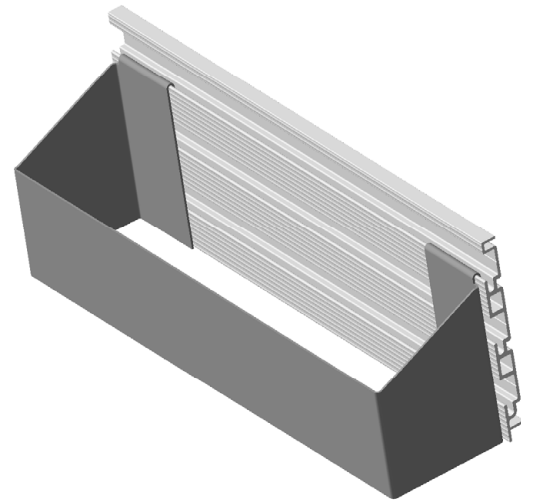
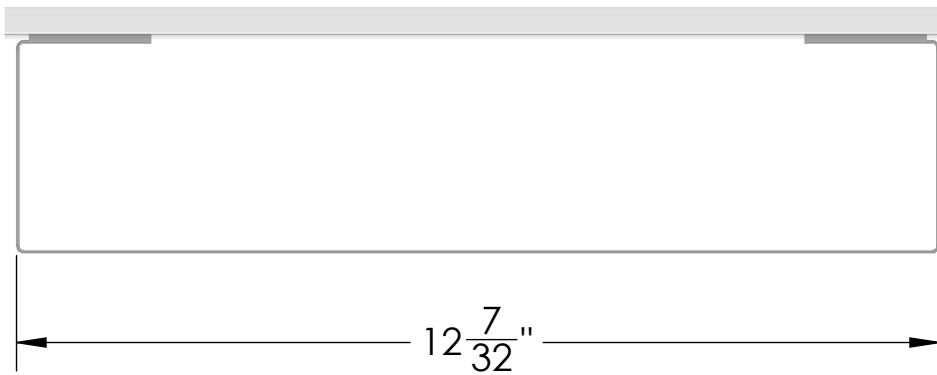
DESCRIPTION & SPECIFICATIONS

The File Hanger makes it easy to keep your regular documents neatly filed and easy to access. The stackable design allows you to expand the storage capabilities to suit.

SIZE & CAPACITY | One Size (Letter Sized)

AVAILABLE FINISHES |  

Matte Aluminum, White.



INSTRUCTIONS & SPECIFICATIONS

STEP 1: Insert the File Hanger into the channels of Track Panel just above the desired height.

STEP 2: Drop the File Hanger down in the track channel to mount it on the track.

STEP 3: Position horizontally by sliding left or right along the track.

- No additional hardware required to mount
- Hooks & accessories are only intended to be mounted to the track

FINISH	CODE (FIN)
MATTE ALUMINUM	MAL
WHITE	WH

SUGGESTED USES	
HANGING FOLDERS (LETTER SIZED)	