

PENCIL TRAY
300.5503.MAL/WH

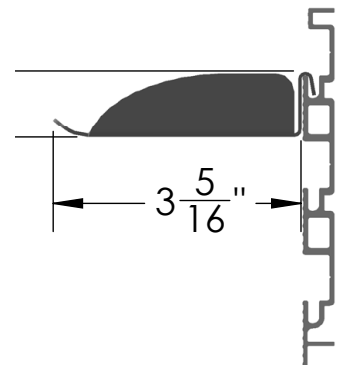
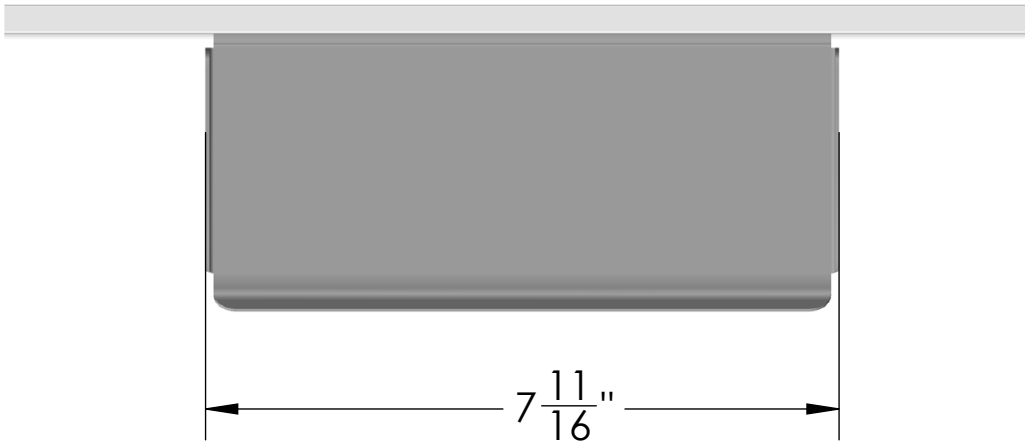
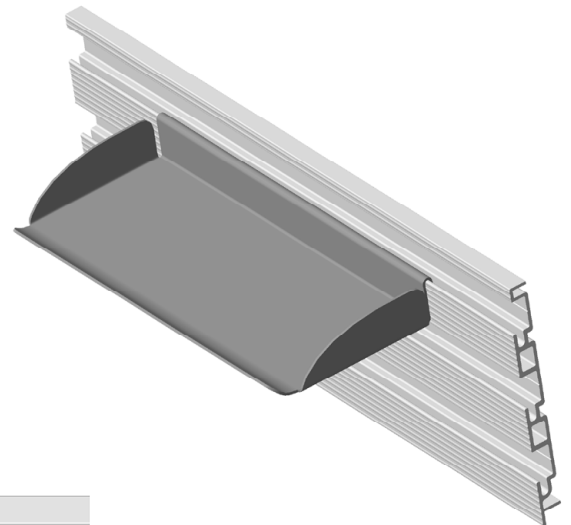
DESCRIPTION & SPECIFICATIONS

Writing utensils are easy to misplace. Keep pens and pencils where you need them with the Pencil Tray.

SIZE & CAPACITY | One Size

AVAILABLE FINISHES |  

Matte Aluminum, White.



INSTRUCTIONS & SPECIFICATIONS

STEP 1: Insert the Pencil Tray into the channels of Track Panel just above the desired height.

STEP 2: Drop the tray down in the track channel to mount it on the track.

STEP 3: Position horizontally by sliding left or right along the track.

- No additional hardware required to mount
- Hooks & accessories are only intended to be mounted to the track

FINISH	CODE (FIN)
MATTE ALUMINUM	MAL
WHITE	WH

SUGGESTED USES	
PENS/PENCILS	JEWELRY
CELL PHONE	KEYS