

BELT HOOK
300.3191.[FIN]

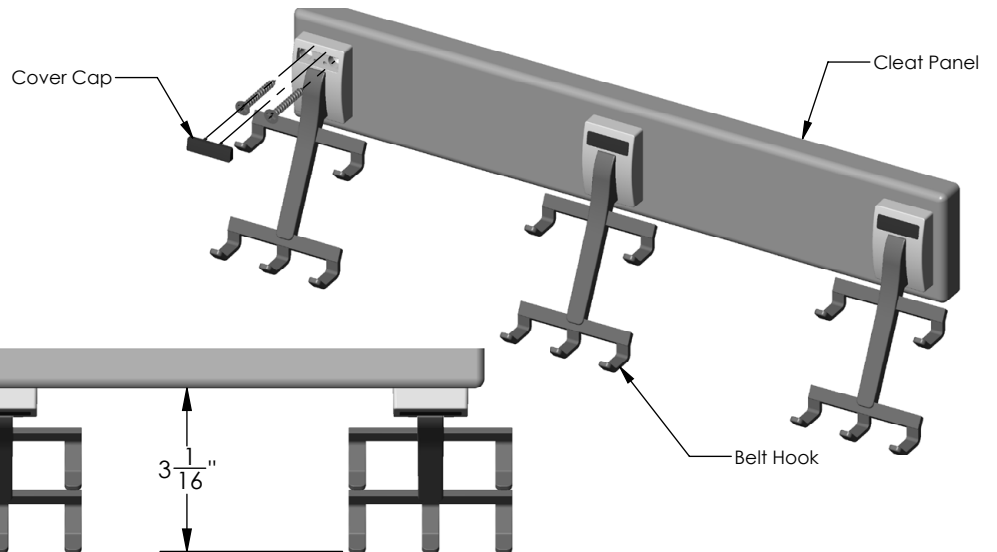
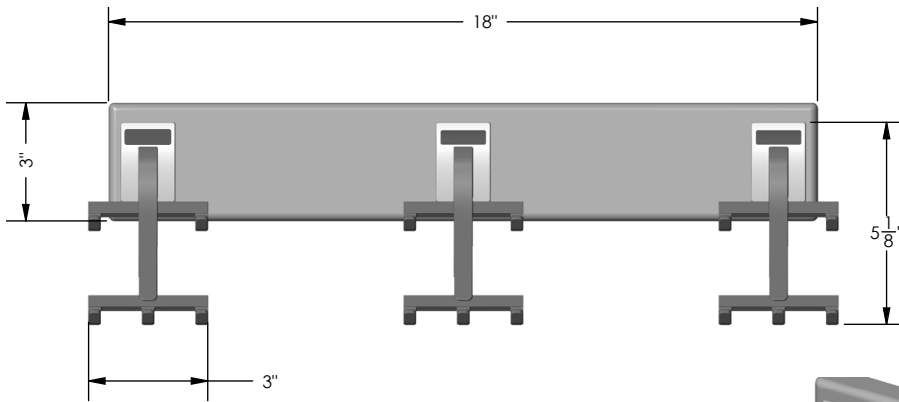
DESCRIPTION & SPECIFICATIONS

Keep your belts organized and utilize unused wall space with the space-saving Belt Hook. A multi-functional hook, perfect in a cleat mounted solution.

SIZE & CAPACITY | One Size - Cleat Mount

AVAILABLE FINISHES | 

Matte Aluminum, Polished Chrome, Matte Nickel, Oil Rubbed Bronze, Polished Brass.



INSTRUCTIONS & SPECIFICATIONS

STEP 1: Press hooks into the pre-drilled holes on the cleat or panel system hole.
STEP 2: Fix hooks in place using two wood screws per hook.
STEP 3: Press cover cap into the mounting area to conceal hardware.

- Two wood screws required to fix each hook onto cleat or panel.
- One cover cap 300.3199.BLK required per hook.

FINISH	CODE (FIN)
MATTE ALUMINUM	MAL
MATTE NICKEL	MNL
POLISHED CHROME	CR
OIL RUBBED BRONZE	ORB
POLISHED BRASS	BS