

**5" UTILITY HOOK**  
**300.5204.MAL**

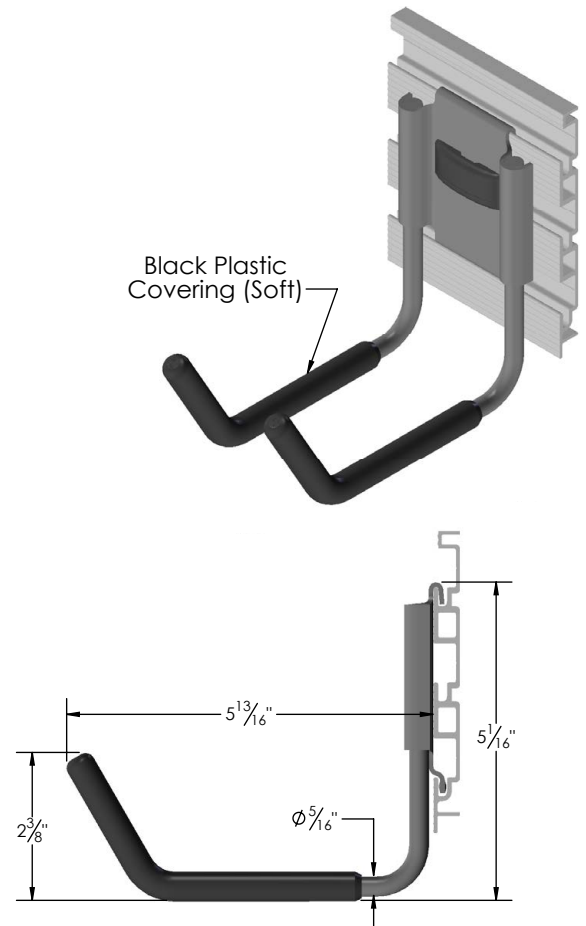
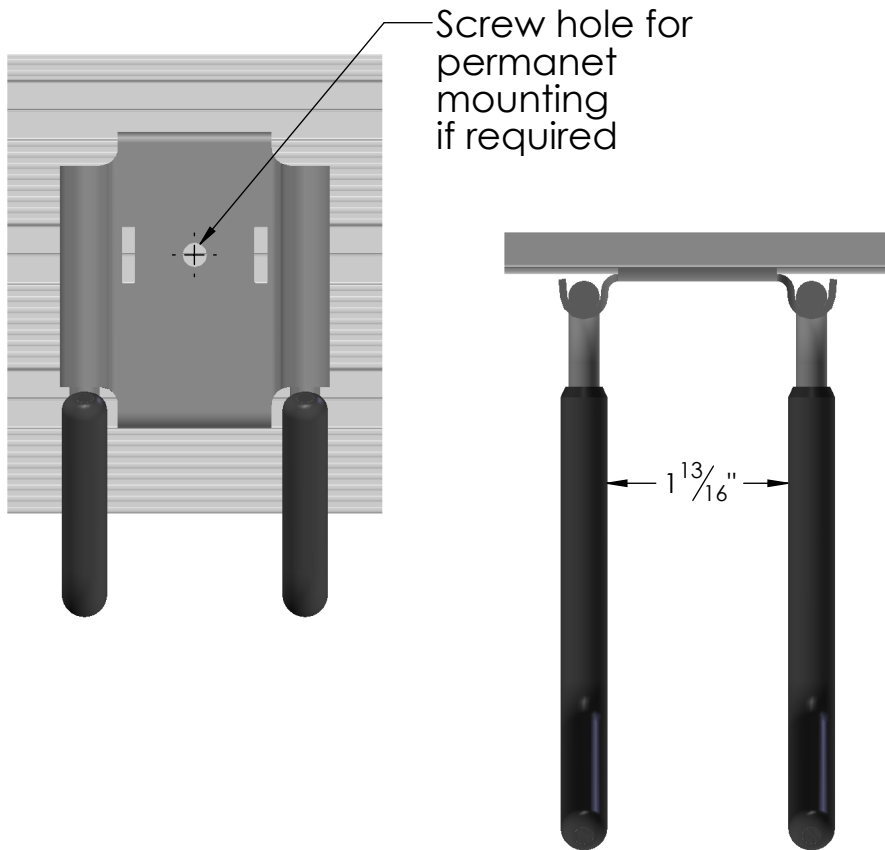
**DESCRIPTION & SPECIFICATIONS**

The 5" Utility Hook is ideal for larger tools like sledge hammers, axes and pics. It features a soft plastic coating to protect metal tools.

SIZE & CAPACITY | 5" - Heavy Duty

AVAILABLE FINISHES | 

Matte Aluminum.



**INSTRUCTIONS & SPECIFICATIONS**

- STEP 1: Align the hook above the track panel channels at desired height.
- STEP 2: Position the hook horizontally by sliding it along the track.
- STEP 3: Press the cover cap onto the hook bracket to fix position.

- One Cover Cap 300.5200 required & must be ordered separately
- Hooks & accessories are only intended to be mounted to the track

FINISH	CODE (FIN)
MATTE ALUMINUM	MAL

SUGGESTED USES	
SLEDGE HAMMER	AXE
PIC	MALLET