

**SCREW DRIVER HOLDER**  
**300.5233.MAL**

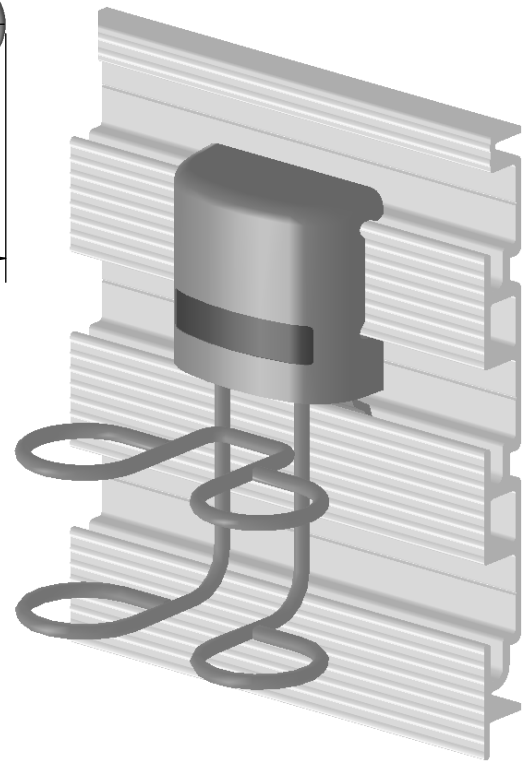
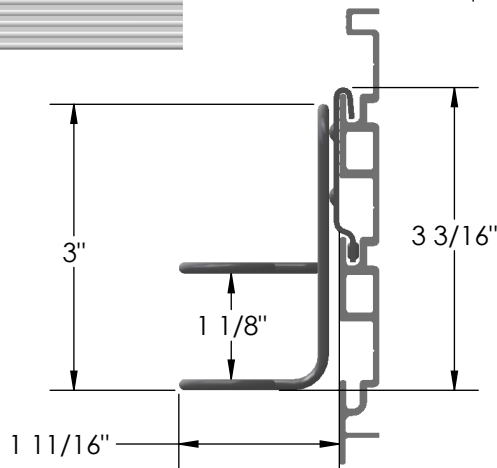
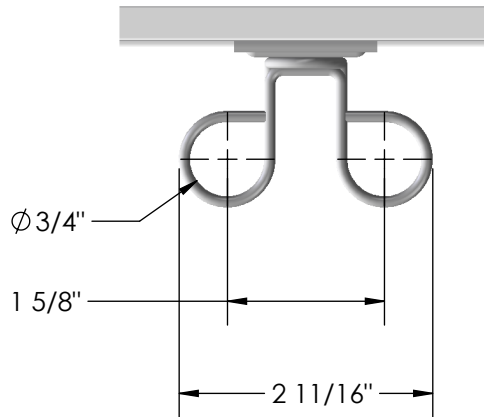
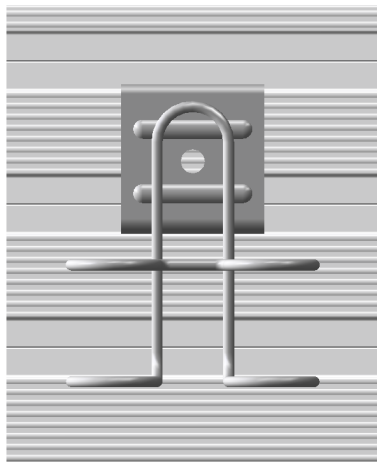
**DESCRIPTION & SPECIFICATIONS**

Keep your screwdrivers organized and easy to access using this Screwdriver Hook. Designed to hold two screwdrivers.

SIZE & CAPACITY | Light Duty

AVAILABLE FINISHES | 

Matte Aluminum.



**INSTRUCTIONS & SPECIFICATIONS**

- STEP 1: Align the holder above the track panel channels.
- STEP 2: Position the holder horizontally by sliding it along the track.
- STEP 3: Press the cover cap onto the holder bracket to fix position.

- One Cover Cap 300.5230 required & must be ordered separately
- Hooks & accessories are only intended to be mounted to the track

FINISH	CODE (FIN)
MATTE ALUMINUM	MAL

SUGGESTED USES	
SCREWDRIVERS	