

**CAPPED CLOSET POLE**  
**300.3047.[FIN]**

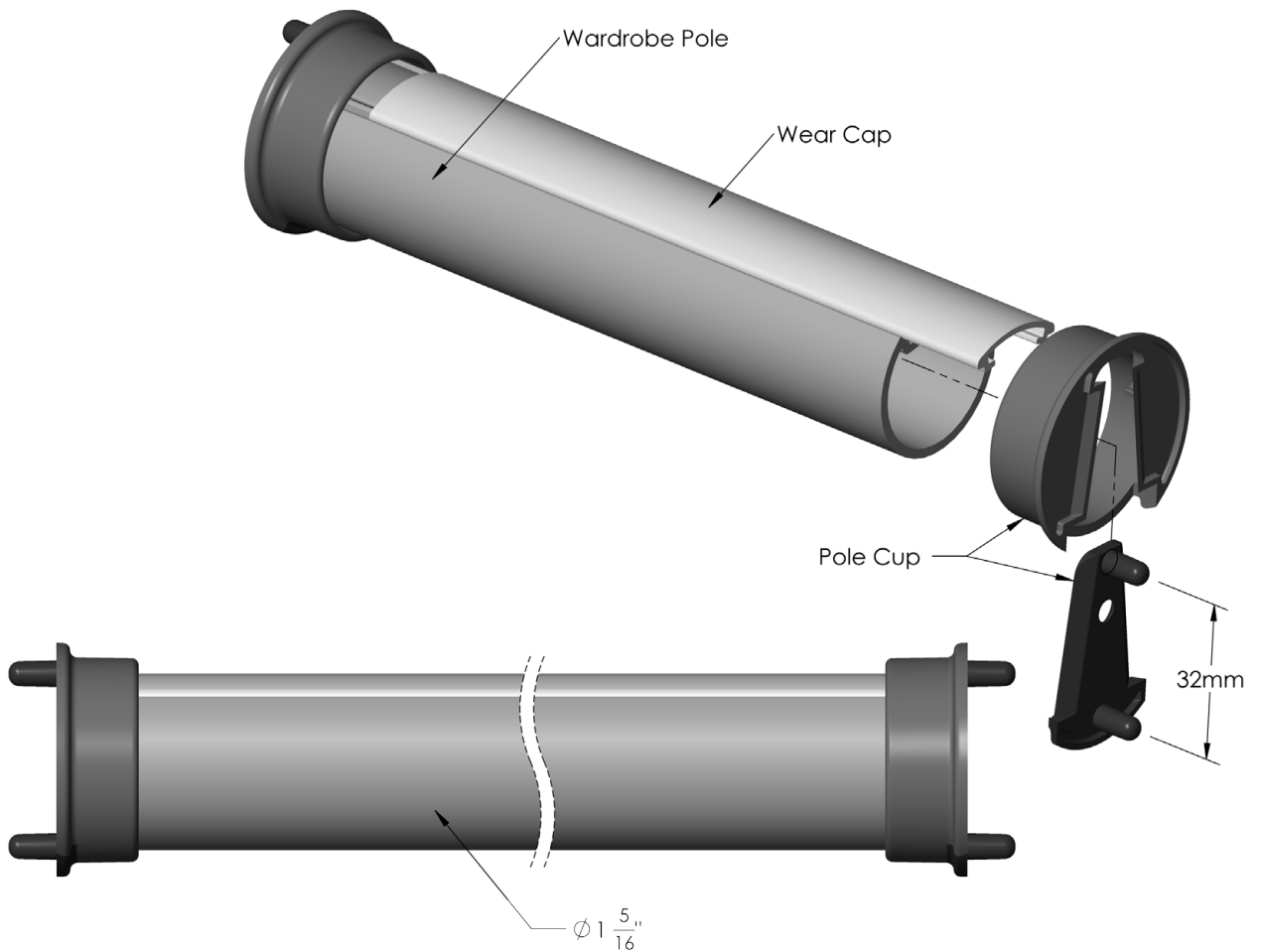
**DESCRIPTION & SPECIFICATIONS**

The Capped Closet Pole allows you to glide from one item to the next with the utmost of ease. Specially designed for smooth and quiet operation.

SIZE & CAPACITY | 96"

AVAILABLE FINISHES | 

Matte Aluminum, Polished Chrome, Matte Nickel, Oil Rubbed Bronze, Matte Brass, Polished Brass.



**INSTRUCTIONS & SPECIFICATIONS**

- STEP 1: Cut the capped closet pole to suit the application.
- STEP 2: Mount pole cup base at the desired height.
- STEP 3: Insert both ends of the pole into the Pole Cups.
- STEP 4: Drop the pole and cups into the Pole Cup bases from above.
- Use 2 Capped Pole Cups 300.3037 to mount the capped closet pole.

FINISH	CODE (FIN)
MATTE ALUMINUM	MAL
POLISHED CHROME	CR
MATTE NICKLE	MNL
OIL RUBBED BRONZE	ORB
MATTE BRASS	MBS
POLISHED BRASS	BS