

SHOE RAIL BRACKETS
300.3120.BLK/AL/WH

DESCRIPTION & SPECIFICATIONS

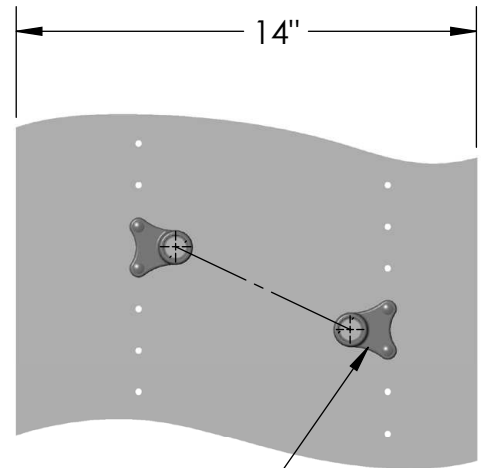
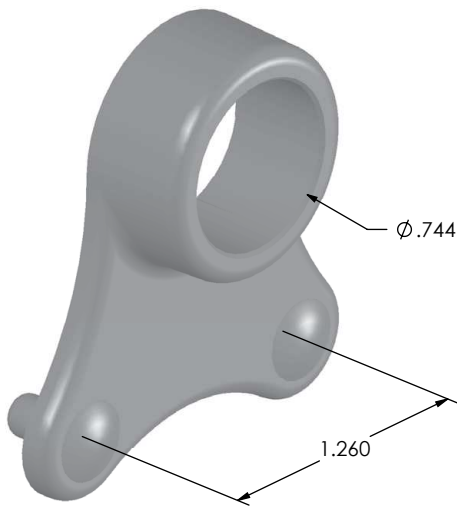
The Shoe Rail Bracket is used to mount shoe rails directly into the system holes of the partitions. No additional mounting hardware required.

SIZE & CAPACITY | ONE SIZE

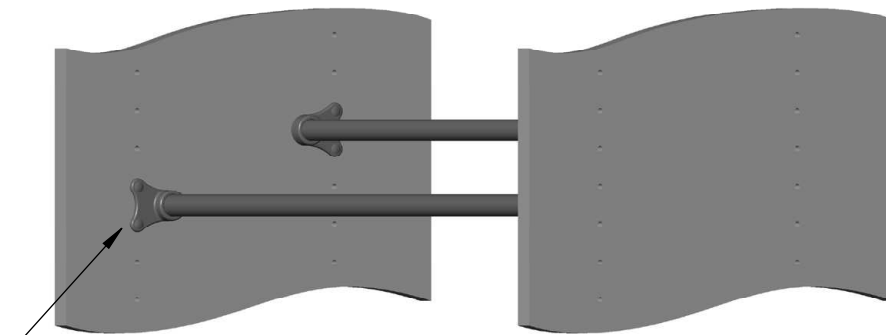
AVAILABLE FINISHES |



Black, White, Almond.



Shoe Rail Bracket



Shoe Rail Bracket

INSTRUCTIONS & SPECIFICATIONS

- STEP 1: Chose the mounting positions to suit the shoes being stored.
 - STEP 2: Slide the Shoe Rail Brackets over the Shoe Rails.
 - STEP 3: Position Shoe Rail in between the partitions at desired height.
 - STEP 4: Press Shoe Rail Brackets into System holes.
- No additional hardware is required to mount.

FINISH	CODE (FIN)
BLACK	BLK
WHITE	WH
ALMOND	AL