

Accuride

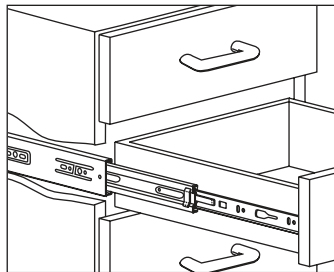
MODEL 3732

Full Extension Drawer Slide
 100 lb.* [45.5 kg.] Capacity
 32 mm System Compatible
 Optional Face Frame Mounting

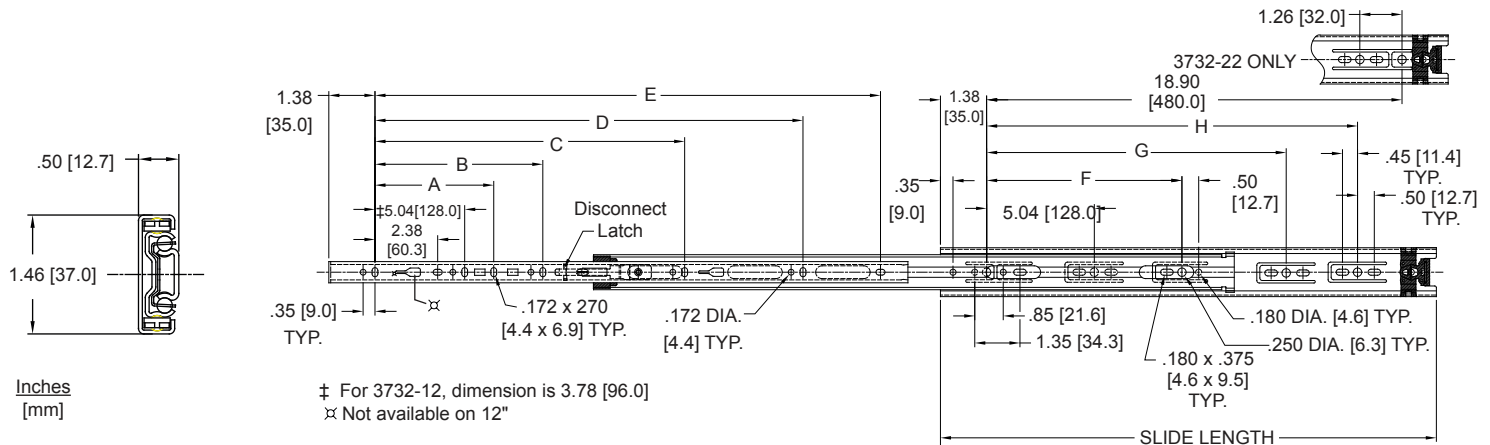
APPLICATIONS: Box drawers in residential and institutional furniture, medium duty kitchen and bathroom cabinets. Use for side mount only. **Not for lateral file drawer applications. This product is covered by U.S. and various foreign patents issued and/or pending.**

3732 QUICK REFERENCE

Total Necessary Side space: 1/2" + 1/32" x 2
 Length: 12"–28"
 Height: 1.46" x 1/2"
 Minimum drawer height: 1.46"
 Load Rating: 100 lbs.
 Face Frame Mounting Hole



Drawer member is flush or under in closed position



Inches
[mm]

‡ For 3732-12, dimension is 3.78 [96.0]
 ✕ Not available on 12"

Finish Bright electro-zinc (C), black zinc (CB), or white electrocoating (EW)

Length 12" to 28" [300 mm–711 mm]

Travel See chart

Height 1.46" [37 mm]

Load 100 lbs. [45.5 kg.] per pair*

Side Space .50" +.031/-0.00
 [12.7 mm +.8 mm/-0.0]

Ball Bearings C and CB slide finish, steel ball bearings
 EW slide finish, polymer ball bearings

Disconnect Push latch into member to disconnect

Mounting Side, optional rear face frame bracket

Hardware Flat head 6 mm Euro System screw or #8 pan head screw

Features Hold-in detent, silenced open and closed

Part Number	Length	Travel	A	B	C	D	E	F	G	H
3732-12	11.81 [300]	11.50 [292]					9.09 [230.8]	8.82 [224.0]		
3732-14	13.78 [350]	14.00 [356]					11.06 [280.8]	8.82 [224.0]		
3732-16	15.75 [400]	16.00 [406]					13.03 [300.8]	8.82 [224.0]		12.60 [320.0]
3732-18	17.72 [450]	18.00 [457]			12.60 [320.0]		14.99 [380.8]	8.82 [224.0]		13.86 [352.0]
3732-20	19.69 [500]	20.00 [508]			12.60 [320.0]		16.96 [430.8]	8.82 [224.0]		16.38 [416.0]
3732-22	21.65 [550]	22.00 [559]			12.60 [320.0]	16.38 [416]	18.93 [480.8]	8.82 [224.0]	13.86 [352.0]	
3732-24	23.62 [600]	24.00 [610]	8.82 [224.0]		16.38 [416.0]		20.90 [530.8]	8.82 [224.0]	13.86 [352.0]	18.90 [480.0]
3732-26	25.59 [650]	26.00 [660]	8.82 [224.0]		16.38 [416.0]	21.42 [544.0]	22.87 [580.8]	8.82 [224.0]	13.86 [352.0]	21.42 [544.0]
3732-28	27.56 [700]	28.00 [711]	8.82 [224.0]	11.34 [288.0]	16.38 [416.0]	21.42 [544.0]	24.84 [630.8]	8.82 [224.0]	13.86 [352.0]	21.42 [544.0]

* Load rating based on an 18" slide on a 16" wide drawer cycled 50,000 times.

Installation Instructions

1. Separate slide members by pushing the disconnect latch into the drawer member.
2. Install large cabinet members. For conventional mounting see Figure 1. See Figure 3 for 32 mm mounting.
3. Check that both cabinet members are vertically and horizontally parallel. Make necessary adjustments.
4. Install drawer member through vertical slots. See Figure 2 for conventional and 32 mm mounting.
5. Insert drawer member after making sure ball bearing retainers are fully forward. Close drawer completely.
6. Adjust position and install two more screws in round holes in each member.

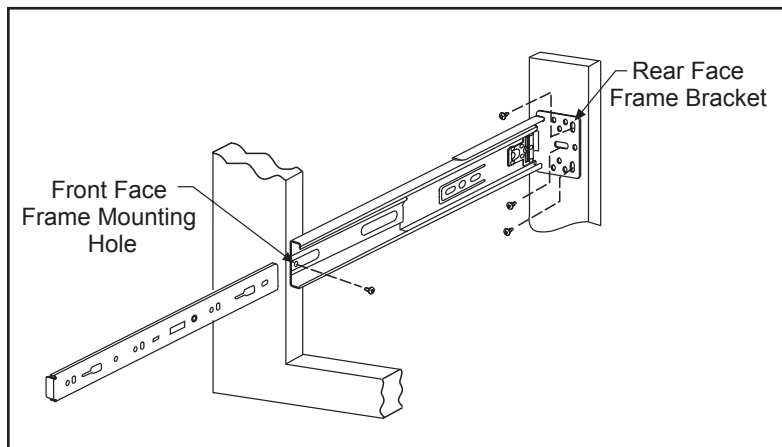
Slide Ordering Instructions

Complete your slide order for model 3732 by specifying the following:

		100	Pair	C	3732	-16	D
Total Required Slides	_____	_____	_____	_____	_____	_____	_____
Slide Finish	_____	_____	_____	_____	_____	_____	_____
Slide Model	_____	_____	_____	_____	_____	_____	_____
Slide Length	_____	_____	_____	_____	_____	_____	_____
Optional Polybag Packaging- <i>includes screws</i>	_____	_____	_____	_____	_____	_____	_____

Optional Hardware Kits—Ordered Separately

For face frame mounting, order kit 4180-0431-XE. Kit contains 2 rear mounting brackets and installation sheet packaged together in a polybag. Mounting screws **not** included. Order one kit per pair of slides ordered.



Packaging

Distributor (D) Pack: All lengths are packaged 10 pair/box. Polybag includes one pair of slides packed with screws.

Bulk (P) Pack: All lengths are packaged 10 pair/box. Slides and screws are ordered and packaged separately.

Production (FP) Pack: All lengths are packaged 10 pair/box. Drawer members and slide members come separated, with drawer members contained within an interior box. Screws are ordered and packaged separately.

Specifications

Slide members: Cold rolled steel
 Ball retainers: Cold rolled steel
 Ball bearings: Acetal polymer and carburized steel

Note: Specifications, materials, prices, terms, and delivery are subject to change without notice.

For the most current technical information visit www.accuride.com

Figure 1

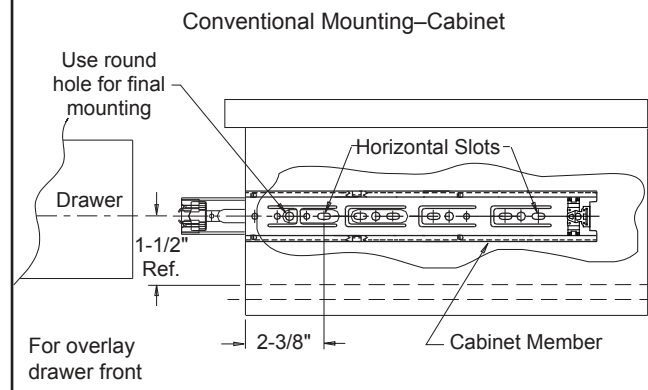


Figure 2

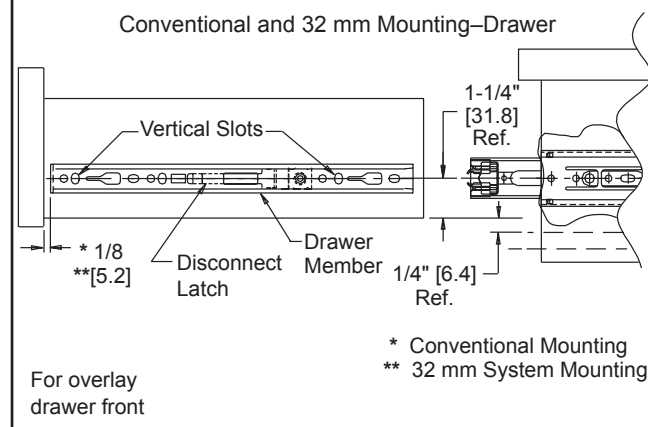
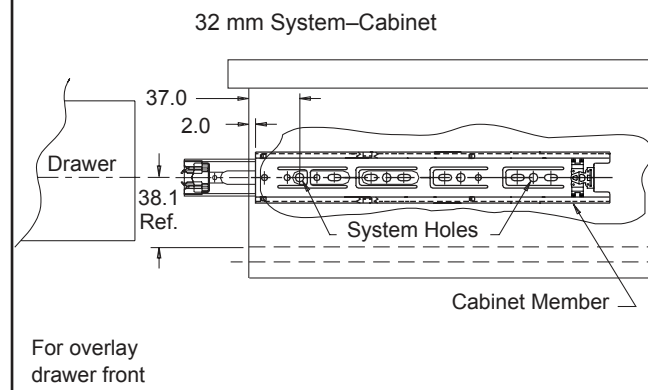


Figure 3



Accuride

ACCURIDE INTERNATIONAL INC.

12311 Shoemaker Avenue
 Santa Fe Springs, CA 90670

TEL (562) 903-0200
 FAX (562) 903-0208
www.accuride.com

Manufacturing, Engineering, and Sales
 United States • Germany • Japan • Mexico • United Kingdom • China

Copyright © 2002 Accuride International Inc. 3700-9445(1081)-MK085-R10-0408