



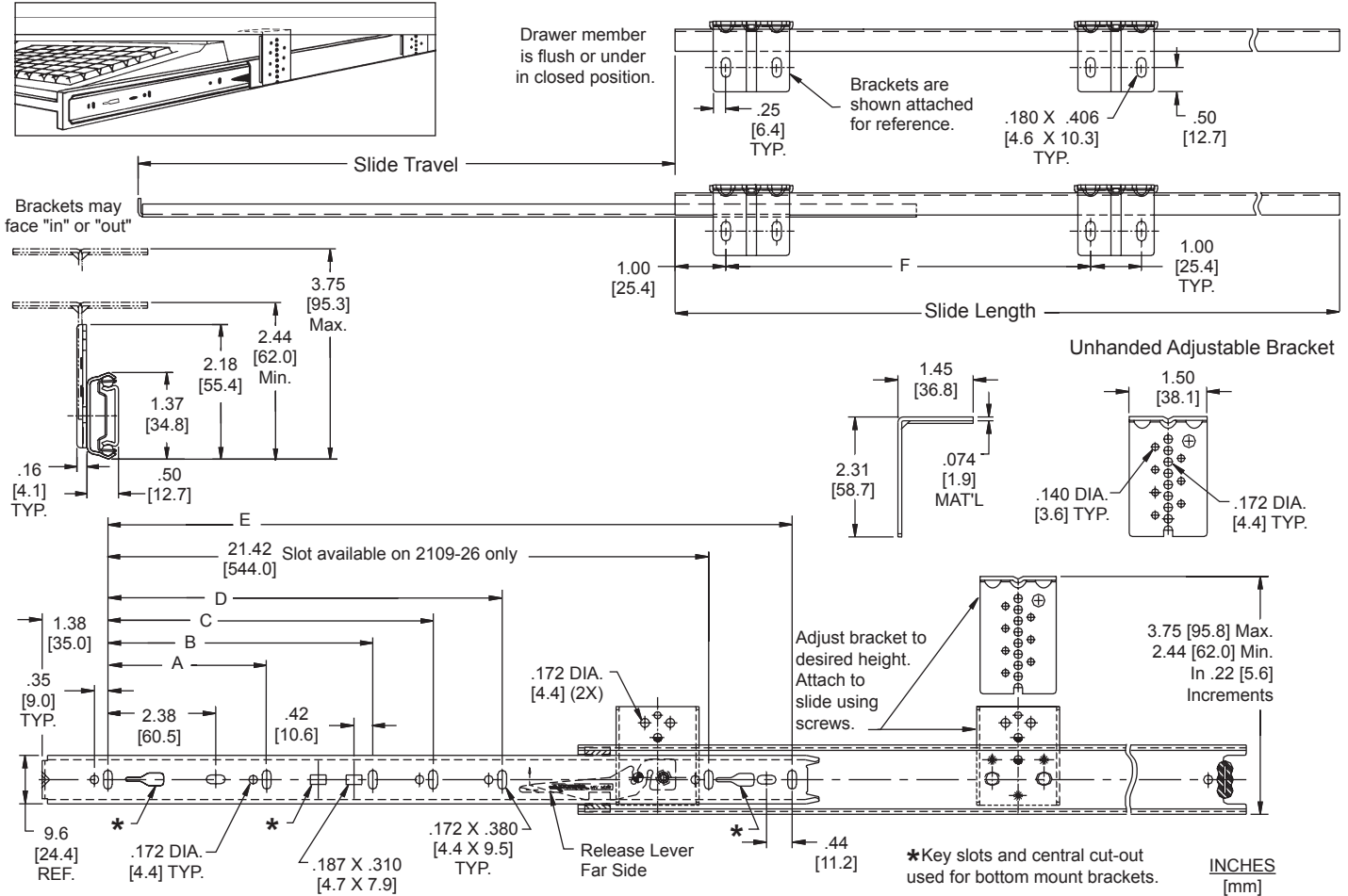
## MODEL 2109

Variable Height Keyboard Slide  
75 lb. [34 kg.] Capacity\*

**APPLICATIONS:** Computer keyboards, writing, and pull-out shelves. Use anywhere an adjustable height shelf or shallow drawer is suspended under a work surface.  
**This product is covered by U.S. (# 6,145,945) and various foreign patents issued and/or pending.**

## 2109 QUICK REFERENCE

Minimum Depth: 12"  
Brackets Inboard: Shelf width + 1-5/16"  
Brackets Outboard: Shelf width + 3.02"



- Finish** Bright electro-zinc (C) or black zinc (CB)
- Length** 12"-28" [300 mm-700 mm]
- Travel** 3/4 extension
- Side Space** 1/2" [12.7 mm] (21/32" including bracket) ([16.7 mm including bracket])
- Load** 75 lbs. [34 kg.] per pair\*
- Movement** Steel ball bearings
- Brackets** Variable height, inboard/outboard
- Features** Detent in and out, lever disconnect, silencing in and out
- Hand** Left hand slide shown, right hand slide opposite

\* Based on an 18" slide on a 16" wide drawer cycled 50,000 times.

Part Number	Slide Length	Travel	A	B	C	D	E	F
2109-12	11.81 [300]	8.08 [205]	3.78 [96]				9.53 [242]	8.50 [215.9]
2109-14	13.78 [350]	10.25 [260]	5.04 [128]				11.50 [292]	8.50 [215.9]
2109-16	15.75 [400]	11.05 [281]	5.04 [128]				13.47 [342]	8.50 [215.9]
2109-18	17.72 [450]	13.02 [331]	5.04 [128]	8.82 [224]			15.43 [392]	8.50 [215.9]
2109-20	19.69 [500]	14.79 [376]	5.04 [128]	8.82 [224]			17.40 [442]	11.50 [292.1]
2109-22	21.65 [550]	16.34 [415]	5.04 [128]	8.82 [224]	12.60 [320]		19.37 [492]	11.50 [292.1]
2109-24	23.62 [600]	17.74 [451]	5.04 [128]	8.82 [224]	12.60 [320]		21.34 [542]	11.50 [292.1]
2109-26	25.59 [650]	19.20 [488]	5.04 [128]	8.82 [224]	12.60 [320]	16.38 [416]	23.31 [592]	16.50 [419.1]
2109-28	27.56 [700]	20.70 [526]	5.04 [128]	8.82 [224]	11.34 [288]	16.38 [416]	25.28 [642]	16.50 [419.1]

# Installation Instructions

## Shelf/Drawer Member

1. Separate slide members by lifting up or pressing down the release lever.
2. Locate the screw holes on the shelf/drawer 1-5/8" [41.3] minimum below the underside of the desk top for bracket at its lowest position. See Figure 3.

**NOTE:** Mounting bracket adjusts vertically in 7/32" [.22] increments. See Figure 2.

3. Position the front of the slide member 1/8" [3.2] behind the shelf/drawer front. Install initial mounting screws through vertical mounting slots. Secure with #8 pan head screws. See Figure 1.

## Cabinet Member

1. Attach brackets to slide at desired height and position (inboard or outboard) using self-tapping screws. Cabinet member to be mounted parallel to shelf/drawer sides.
2. Position slide so the front of the cabinet member is 1/8" [3.2] behind the shelf/drawer front when the drawer is in the closed position.
3. Locate screw holes for mounting brackets on the underside of desk top (or equivalent mounting surface). Refer to chart on front (Column F) for this dimension. See Figure 3.

### For Brackets Facing Out

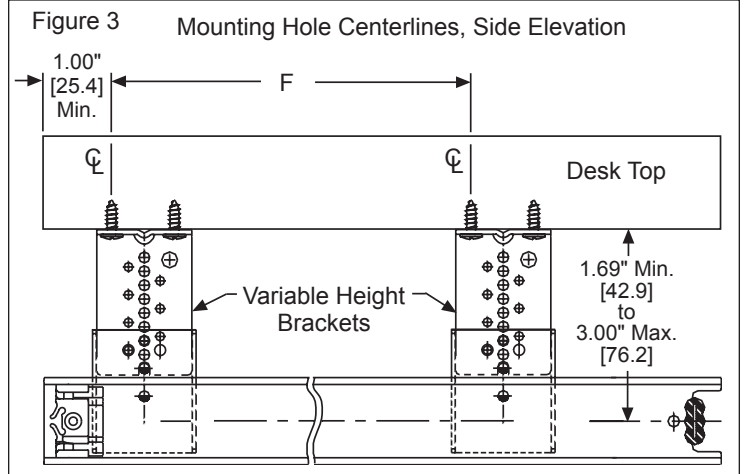
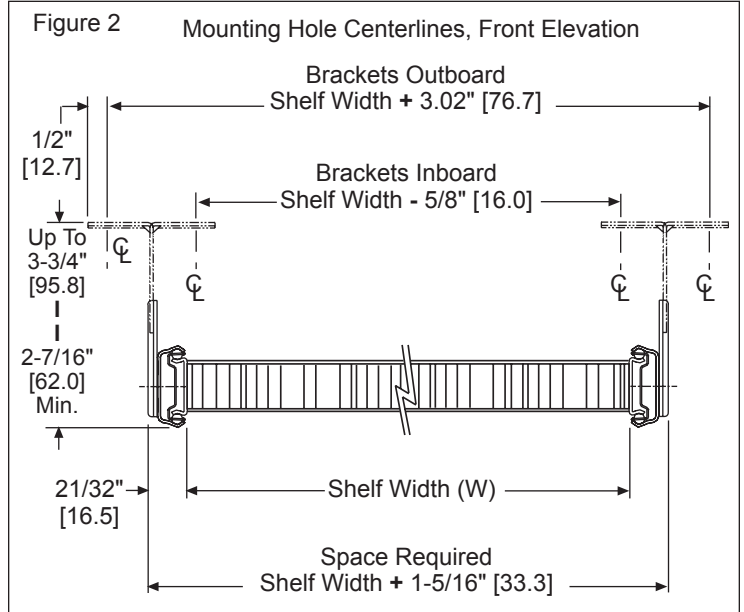
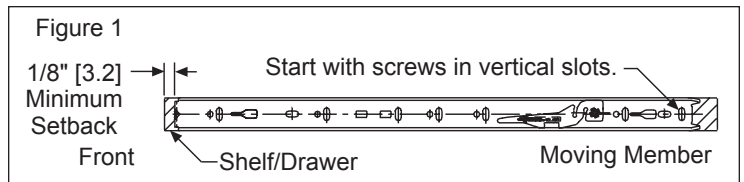
Use the shelf/drawer width **plus** 3.02" [76.7] for bracket screw hole centers. See Figure 2.

### For Brackets Facing In

Use the shelf/drawer width **minus** 5/8" [16.0] for bracket screw hole centers. See Figure 2.

**NOTE:** Tighten bracket screws on one side, then open and close (cycle) drawer a few times to be certain the slides have self adjusted to a parallel movement and are moving freely. Tighten bracket screws on the other side.

4. Adjust height of shelf/drawer and install remaining screws in the moving member.



## Slide Ordering Information

Complete your slide order for Accuride Model 2109 by specifying the following:

	100 Pair	C	2109	-18	D
Total Slides Required	_____				
Slide Finish	_____				
Slide Model	_____				
Slide Length	_____				
Polybag Packaging (Includes Bracket Kit)	_____				

## Packaging

**Distributor (D) Pack:** Polybag contains 1 pair of slides and 1 bracket mounting kit. C finish orders include zinc finish bracket kit; CB finish orders include black finish bracket kit. Bracket kit includes 4 mounting brackets, bracket mounting screws, and slide mounting screws.

Slide lengths 12"–22" are packaged 10 pair per box.  
Slide lengths 24"–28" are packaged 5 pair per box.

## Packaging

Slide members: Cold rolled steel  
Ball retainers: Cold rolled steel  
Ball bearings: Carburized steel

**NOTE:** Specifications, materials, prices, terms, and delivery are subject to change without notice.

# Accuride

ACCURIDE INTERNATIONAL INC.

12311 Shoemaker Avenue  
Santa Fe Springs, CA 90670

TEL (562) 903-0200  
FAX (562) 903-0208  
www accuride.com

Manufacturing, Engineering, and Sales

United States • Germany • Japan • Mexico • United Kingdom • China

Copyright © 2007 Accuride International Inc. 3700-9438(1078)-MK024-R4-0907