

**ELITE 12" BELT RACK**  
**310.3010.12.[FIN]**

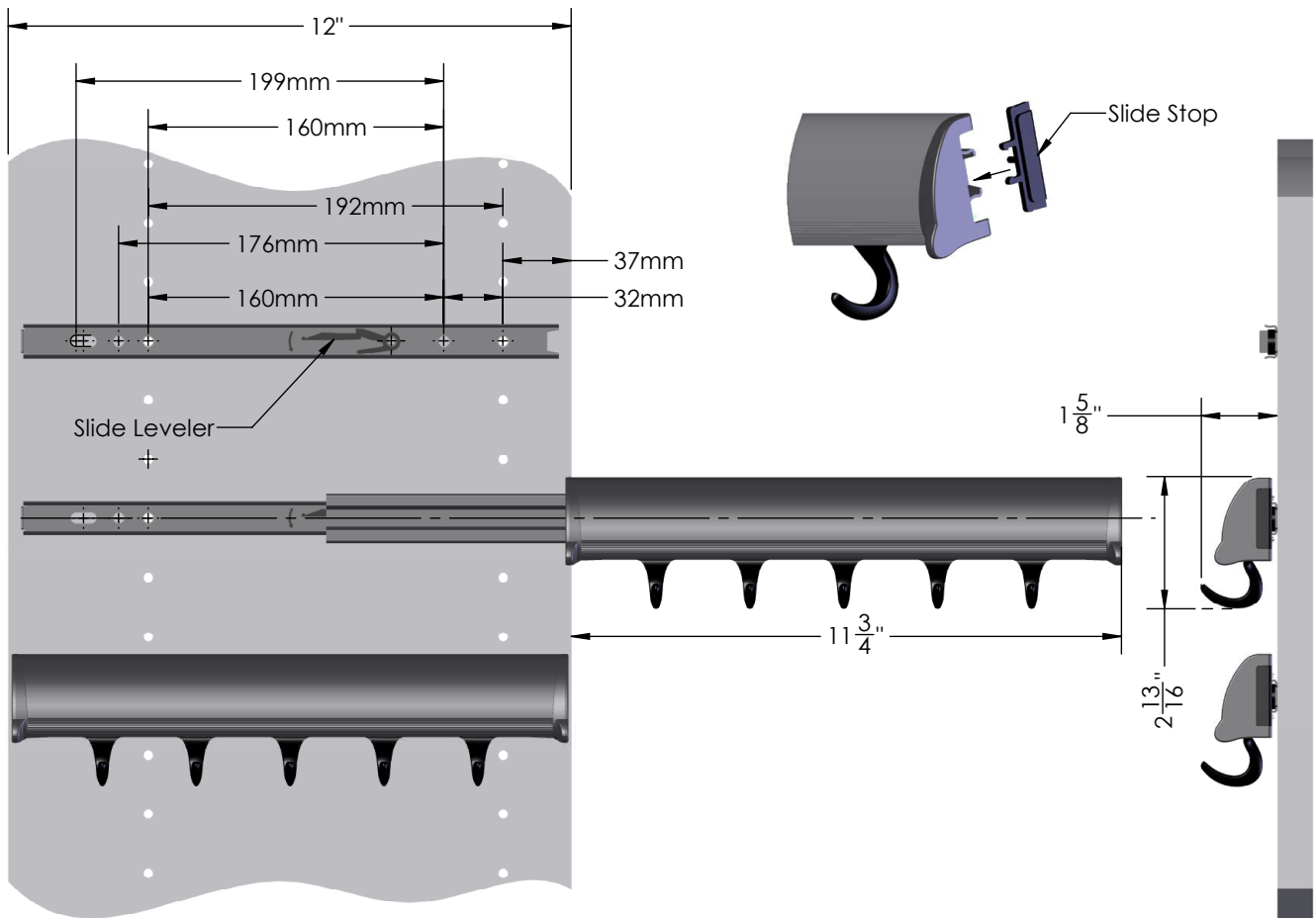
**DESCRIPTION & SPECIFICATIONS**

The fully-extendible 12" Belt Rack will turn your belts into pieces of art. Features a full extension ball-bearing slide.

SIZE & CAPACITY | 12" w 5 hooks

AVAILABLE FINISHES | 

Matte Aluminum, Polished Chrome, Matte Nickel, Oil Rubbed Bronze, Polished Brass.



**INSTRUCTIONS & SPECIFICATIONS**

- STEP 1: Press slide leveler down and remove the slide rail from the rack.
  - STEP 2: Mount slide rail to partition using euro screws.
  - STEP 3: Extend the slide on the rack and re-install on the mounted slide rail.
  - STEP 4: Insert slide stop and set rack to fully retracted position.
- Two (2) 5mm Euro Screws are required to mount.

FINISH	CODE (FIN)
MATTE ALUMINUM W CHROME	MALCR
POLISHED CHROME	CR
MATTE NICKLE	MNL
OIL RUBBED BRONZE	ORB
POLISHED BRASS	BS

**ELITE 14" BELT RACK**  
**310.3010.14.[FIN]**

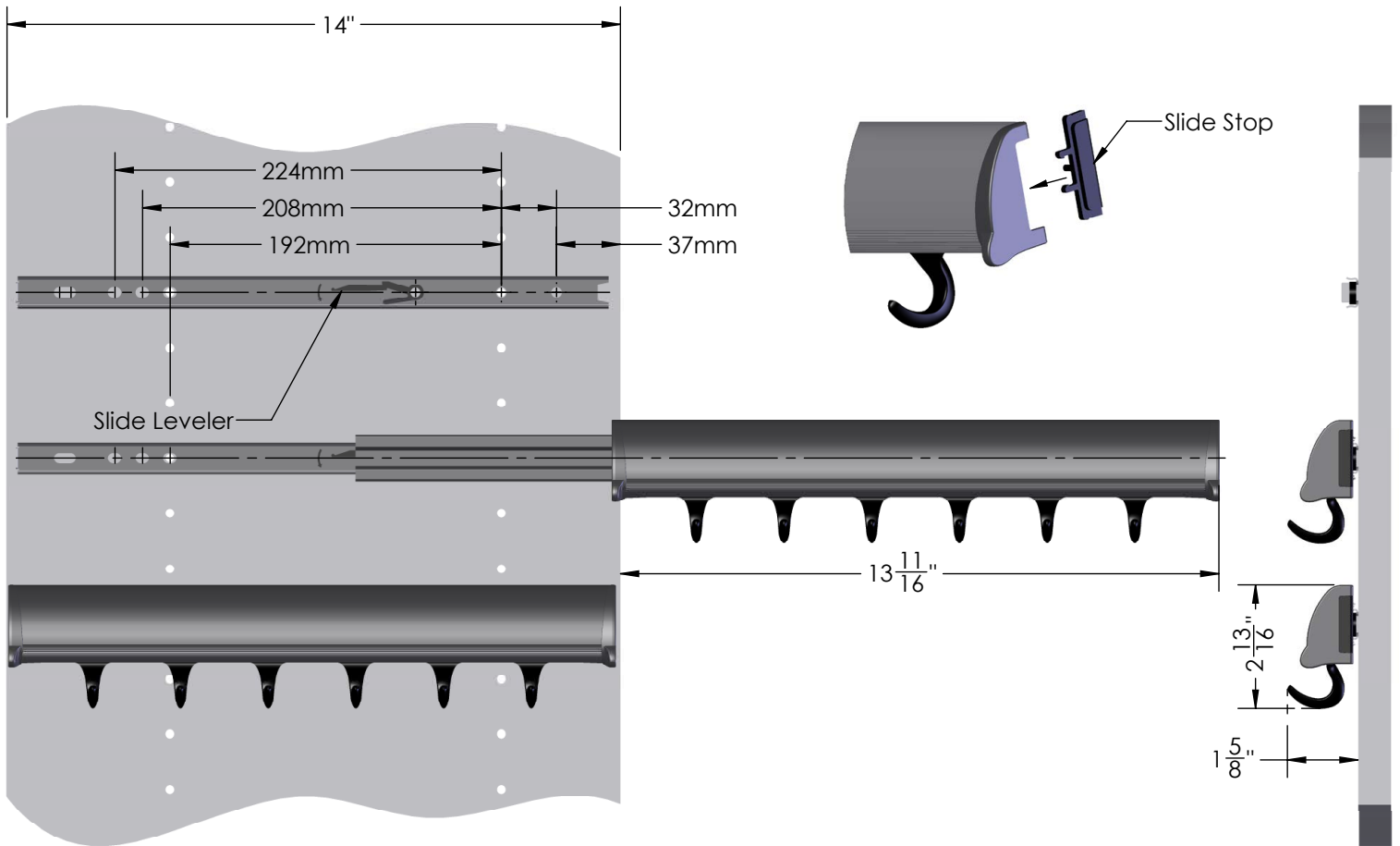
**DESCRIPTION & SPECIFICATIONS**

The fully-extendible 14" Belt Rack will turn your belts into pieces of art. Features a full extension ball-bearing slide.

**SIZE & CAPACITY** | 14" w 6 hooks

**AVAILABLE FINISHES** | 

Matte Aluminum, Polished Chrome, Matte Nickel, Oil Rubbed Bronze, Polished Brass.



**INSTRUCTIONS & SPECIFICATIONS**

- STEP 1: Press slide leveler down and remove the slide rail from the rack.
  - STEP 2: Mount slide rail to partition using euro screws.
  - STEP 3: Extend the slide on the rack and re-install on the mounted slide rail.
  - STEP 4: Insert slide stop and set rack to fully retracted position.
- Two (2) 5mm Euro Screws are required to mount.

FINISH	CODE (FIN)
MATTE ALUMINUM W CHROME	MALCR
POLISHED CHROME	CR
MATTE NICKLE	MNL
OIL RUBBED BRONZE	ORB
POLISHED BRASS	BS

**ELITE 18" BELT RACK**  
**310.3010.18.[FIN]**

**DESCRIPTION & SPECIFICATIONS**

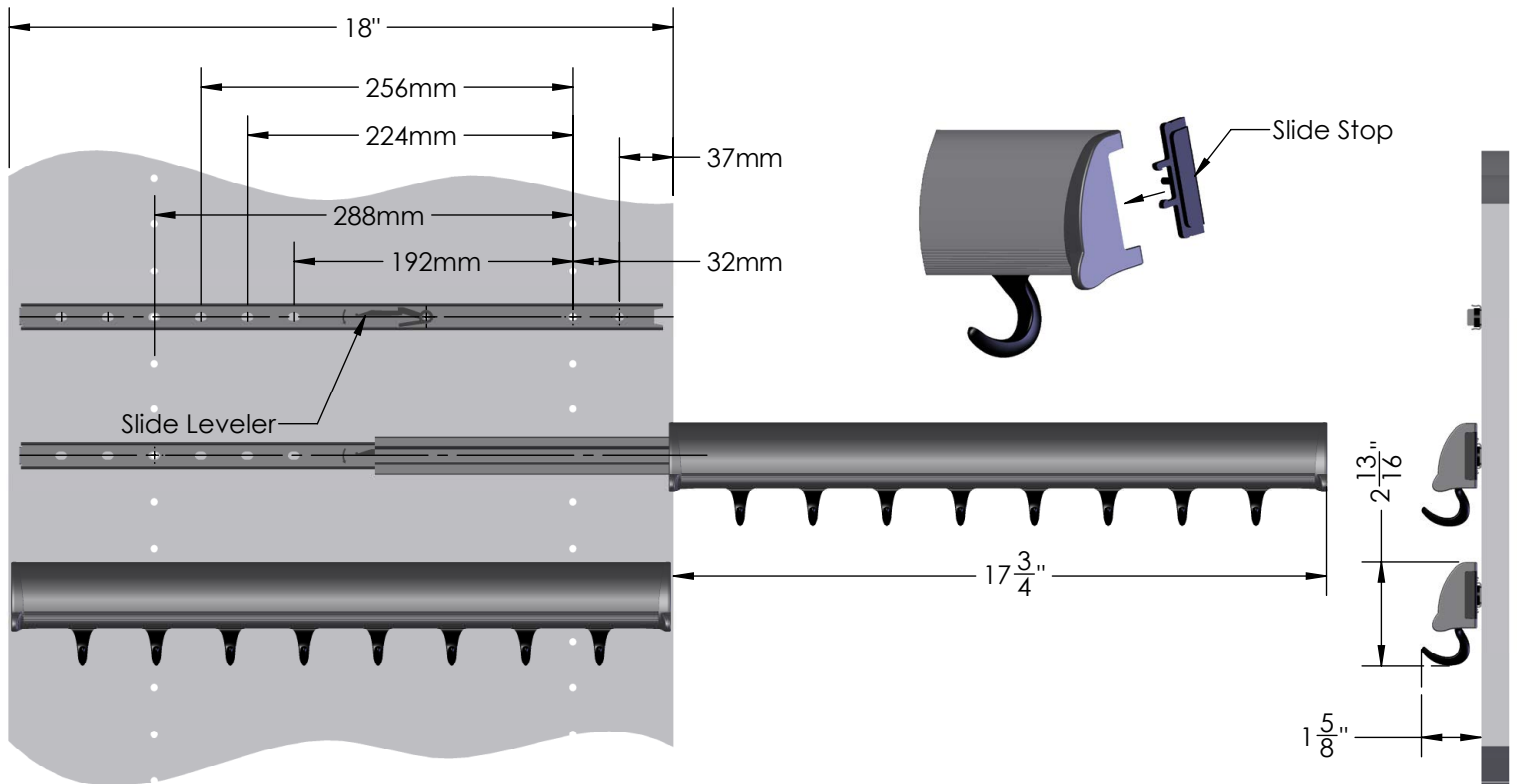
The fully-extendible 18" Belt Rack will turn your belts into pieces of art. Features a full extension ball-bearing slide.

SIZE & CAPACITY | 18" w 8 hooks

AVAILABLE FINISHES |



Matte Aluminum, Polished Chrome, Matte Nickel, Oil Rubbed Bronze, Polished Brass.



**INSTRUCTIONS & SPECIFICATIONS**

- STEP 1: Press slide leveler down and remove the slide rail from the rack.
- STEP 2: Mount slide rail to partition using euro screws.
- STEP 3: Extend the slide on the rack and re-install on the mounted slide rail.
- STEP 4: Insert slide stop and set rack to fully retracted position.
  - Two (2) 5mm Euro Screws are required to mount.

FINISH	CODE (FIN)
MATTE ALUMINUM W CHROME	MALCR
POLISHED CHROME	CR
MATTE NICKLE	MNL
OIL RUBBED BRONZE	ORB
POLISHED BRASS	BS