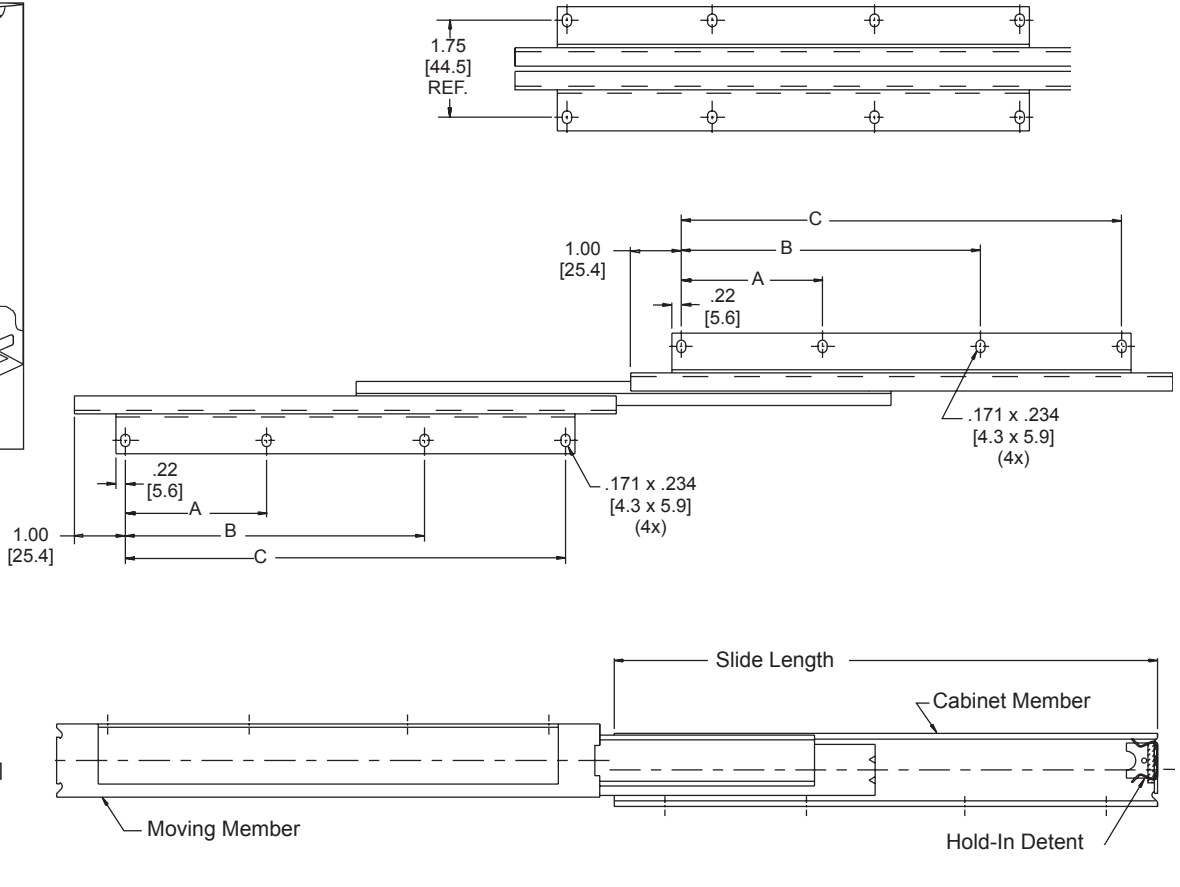
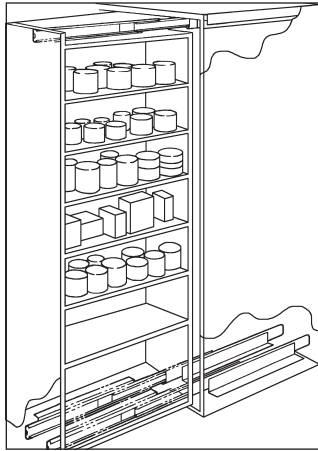




# MODEL 301-2590

Undermount Shelf Slide  
 Non-Disconnect  
 Over Travel  
 Up to 155 lb.\* [70 kg.] Capacity

**APPLICATIONS:** Pull-out storage shelves, kitchen pull-out pantries, and entertainment centers. Battery trays, storage bins, and generators.



INCHES  
[mm]

- Finish** Bright electro-zinc (C) or black zinc (CB) plating
- Length** 12"–28" [305 mm–711 mm]
- Height** 1.54" [39.1 mm]
- Side Space** .75" [19.1 mm] slide only  
2.25" [57.2 mm] with brackets
- Load** Up to 155 lbs [70 kg]\*
- Travel** Slide length plus .83" [21.1 mm]
- Mounting** Bracket/undermount
- Hardware** #8 pan head or round head screws
- Features** Hold-in detent, silenced open and closed, slide is handed

\* Load rating based on a 16" wide shelf cycled 50,000 times.

Part Number	Slide Length	Slide Travel	Load Rating lb. [kg] per pair*	A	B	C
301-2590-12	12.00 [305]	12.83 [325.9]	155 [70]	4.00 [101.6]	6.00 [152.4]	10.00 [254.0]
301-2590-14	14.00 [356]	14.83 [376.7]	148 [67]	4.00 [101.6]	8.00 [203.2]	12.00 [304.8]
301-2590-16	16.00 [406]	16.83 [427.5]	140 [64]	4.00 [101.6]	10.00 [254.0]	14.00 [355.6]
301-2590-18	18.00 [457]	18.83 [478.3]	130 [59]	4.00 [101.6]	12.00 [304.8]	16.00 [406.4]
301-2590-20	20.00 [508]	20.83 [529.1]	122 [55]	7.00 [177.8]	11.00 [279.4]	18.00 [457.2]
301-2590-22	22.00 [559]	22.83 [579.9]	113 [51]	7.00 [177.8]	13.00 [330.2]	20.00 [508.0]
301-2590-24	24.00 [610]	24.83 [630.7]	104 [47]	7.00 [177.8]	15.00 [381.0]	22.00 [558.8]
301-2590-26	26.00 [660]	26.83 [681.5]	95 [43]	7.00 [177.8]	17.00 [431.8]	24.00 [609.6]
301-2590-28	28.00 [711]	28.83 [732.3]	85 [39]	7.00 [177.8]	19.00 [482.6]	26.00 [660.4]

## Installation Instructions

1. Mark a line at least 1/4" [6.4 mm] in from the right side of the cabinet opening and parallel to the cabinet side.
2. Locate a point on this line 1.00" [25.4 mm] back from the desired front of the slide.
3. Using #8 pan or round head screws, mount the cabinet member bracket through the first hole at this point.

**NOTE: For maximum strength, ensure that the hold-in detent spring is installed inside the cabinet.**

4. Mount the left hand slide similarly, locating the screw centerline of the cabinet member bracket at least 1/4" [6.4 mm] in from the left side of the opening.
5. Keeping the right and left hand slides parallel, install the remainder of the cabinet member screws.

**NOTE: When using soft materials such as particle board, replace rear cabinet mounting screws with through bolts.**

6. With slides extended, center the shelf and drive the screws up through the moving member brackets into the bottom of the shelf.

**NOTE: If the unit is mounted too close to the floor reverse the procedure above and install the moving member screws first.**

## Slide Ordering Instructions

Complete your slide order for Accuride model 301-2590 by specifying the following:

	<u>20</u>	<u>Pair</u>	<u>C</u>	<u>301-2590</u>	<u>-16</u>	<u>D</u>
Total Required Slides	_____	_____	_____	_____	_____	_____
Slide Finish	_____	_____	_____	_____	_____	_____
Slide Model Number	_____	_____	_____	_____	_____	_____
Slide Length	_____	_____	_____	_____	_____	_____
Optional Polybag Packaging	_____	_____	_____	_____	_____	_____

## Packaging

**Distributor (D) Pack:** All lengths are packaged 5 pair per box. Polybag includes one pair of slides and mounting screws.

**Bulk Pack:** Slides only. Left hand slides and right hand slides are packaged in separate boxes.

Lengths 12"–18"	20 each per box
Lengths 20"–28"	10 each per box

## Specifications

Slide members and ball retainers: Cold rolled steel  
Ball bearings: Carburized steel

**NOTE:** Specifications, materials, prices, terms, and delivery are subject to change without notice.

# Accuride

ACCURIDE INTERNATIONAL INC.

12311 Shoemaker Avenue  
Santa Fe Springs, CA 90670

TEL (562) 903-0200  
FAX (562) 903-0208  
www accuride.com

Manufacturing, Engineering, and Sales  
United States • Germany • Japan • Mexico • United Kingdom • China

Copyright © 2007 Accuride International Inc. 3700-9298(9299)-MK020-R8-1107